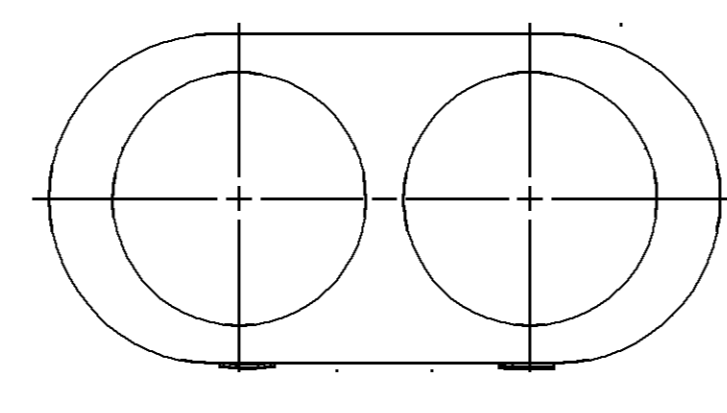
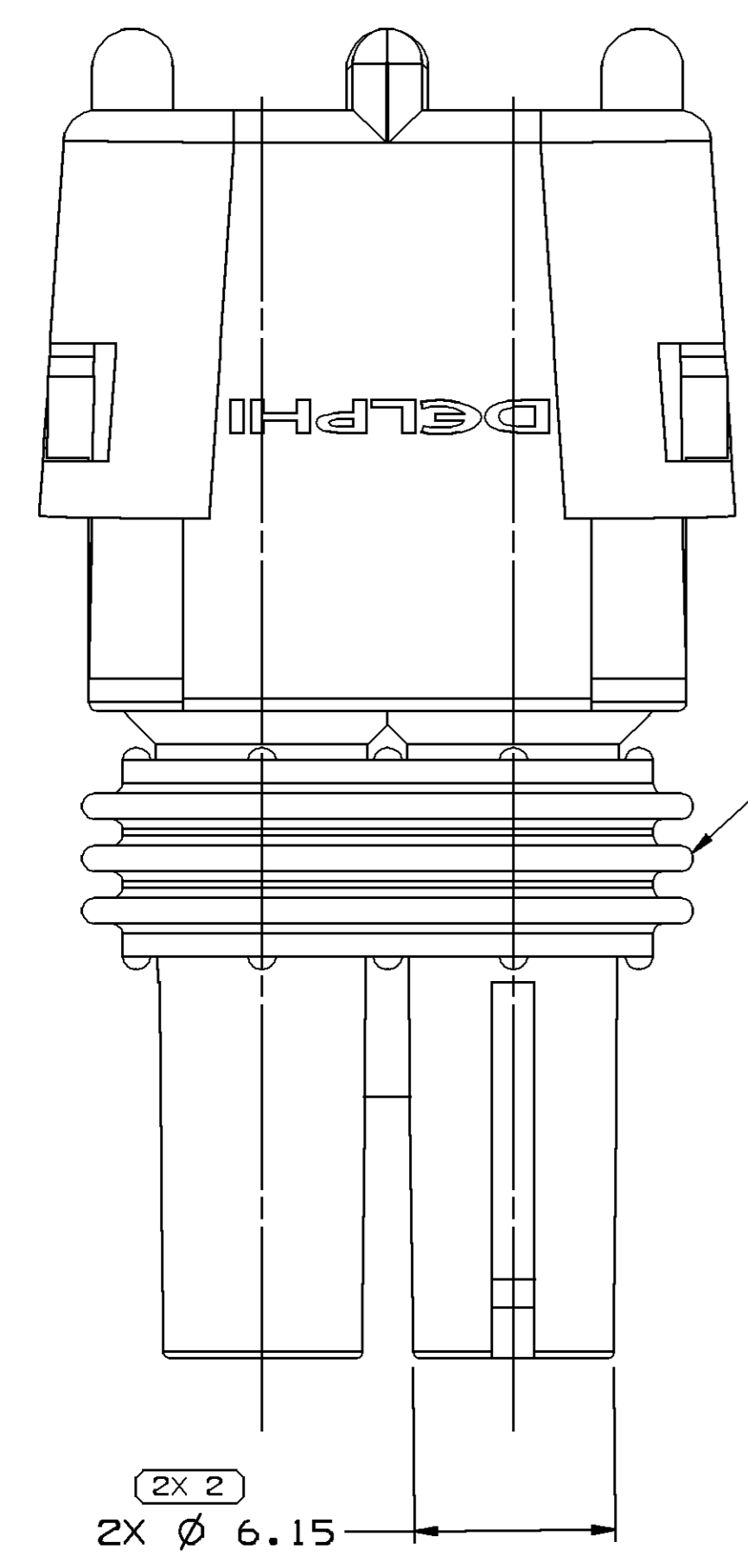
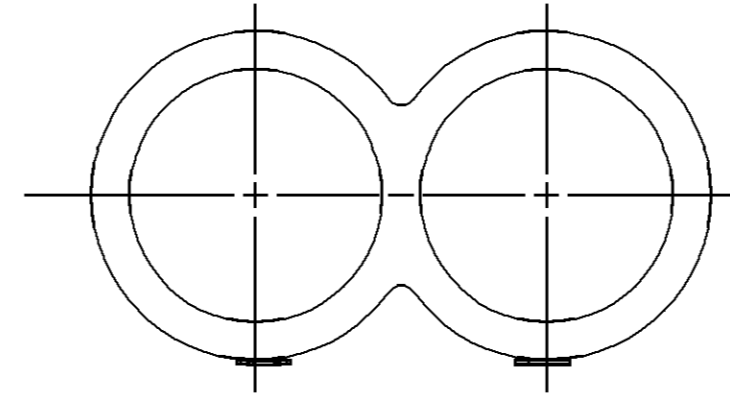


SYMBOL DEFINITION		MISSING SYMBOLS	
A DIMENSION WITHOUT AN INSPECTION REPORT SYMBOL DOES NOT REQUIRE INSPECTION. IT MAY BE CONTROLLED ON THE INDIVIDUAL COMPONENT DRAWING.	TOTAL NO OF INSPECTIONS REQUIRED	NO MISSING SYMBOL NUMBER	11
	LAST NO. USED		10

DWG STATUS				REVISION HISTORY				AUTH	DR	AP/VD	AP/VD
DATE	STG	REV	N/P	CHG	ZONE						
21N005	R	01	-	-		CLEARED REV COLUMN: ALL PARTS - REDRAWN TO PD	274555	6PS	FRG	EST	
08M107	R	02	-	-		ALL PARTS - REVISED NOTE #5 & MODEL ASM UPDATED	401351	JS	JS	WTM	

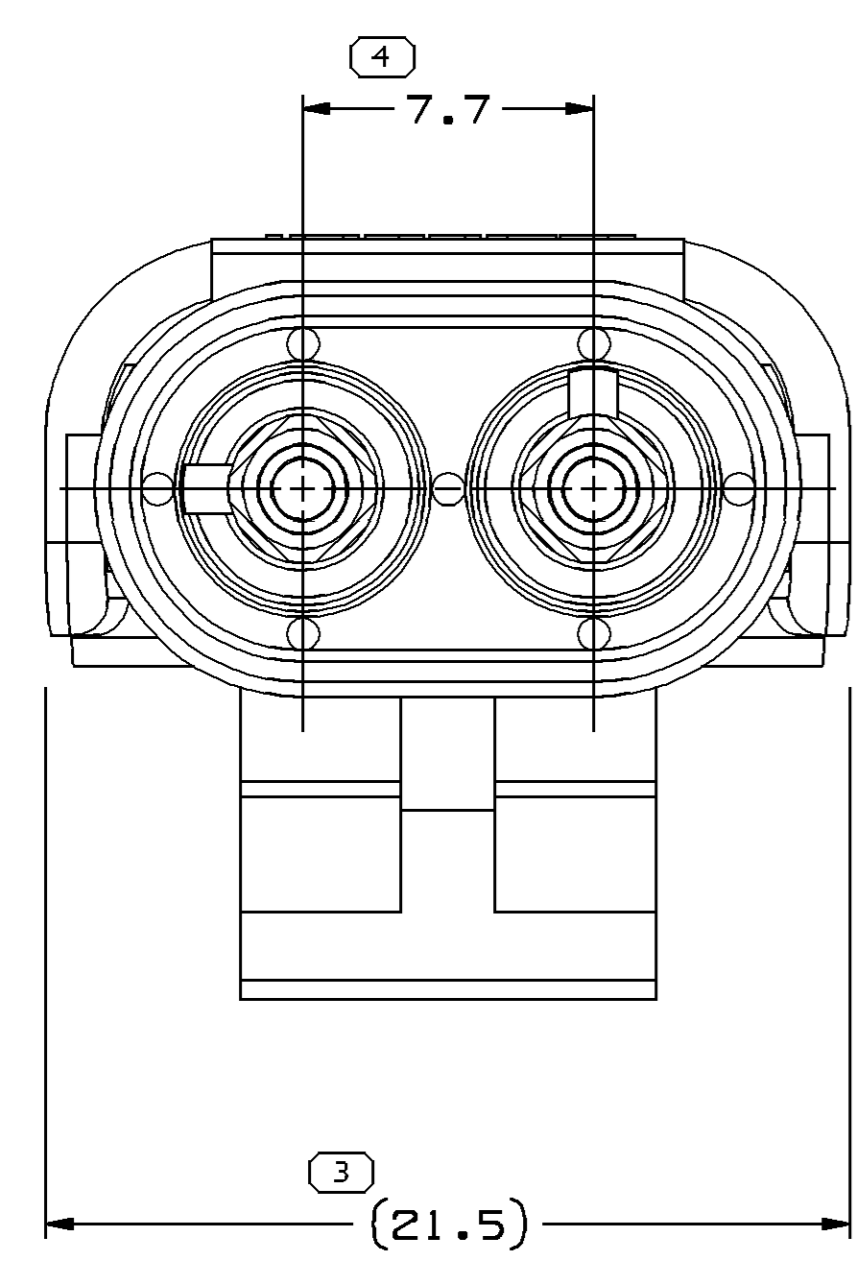
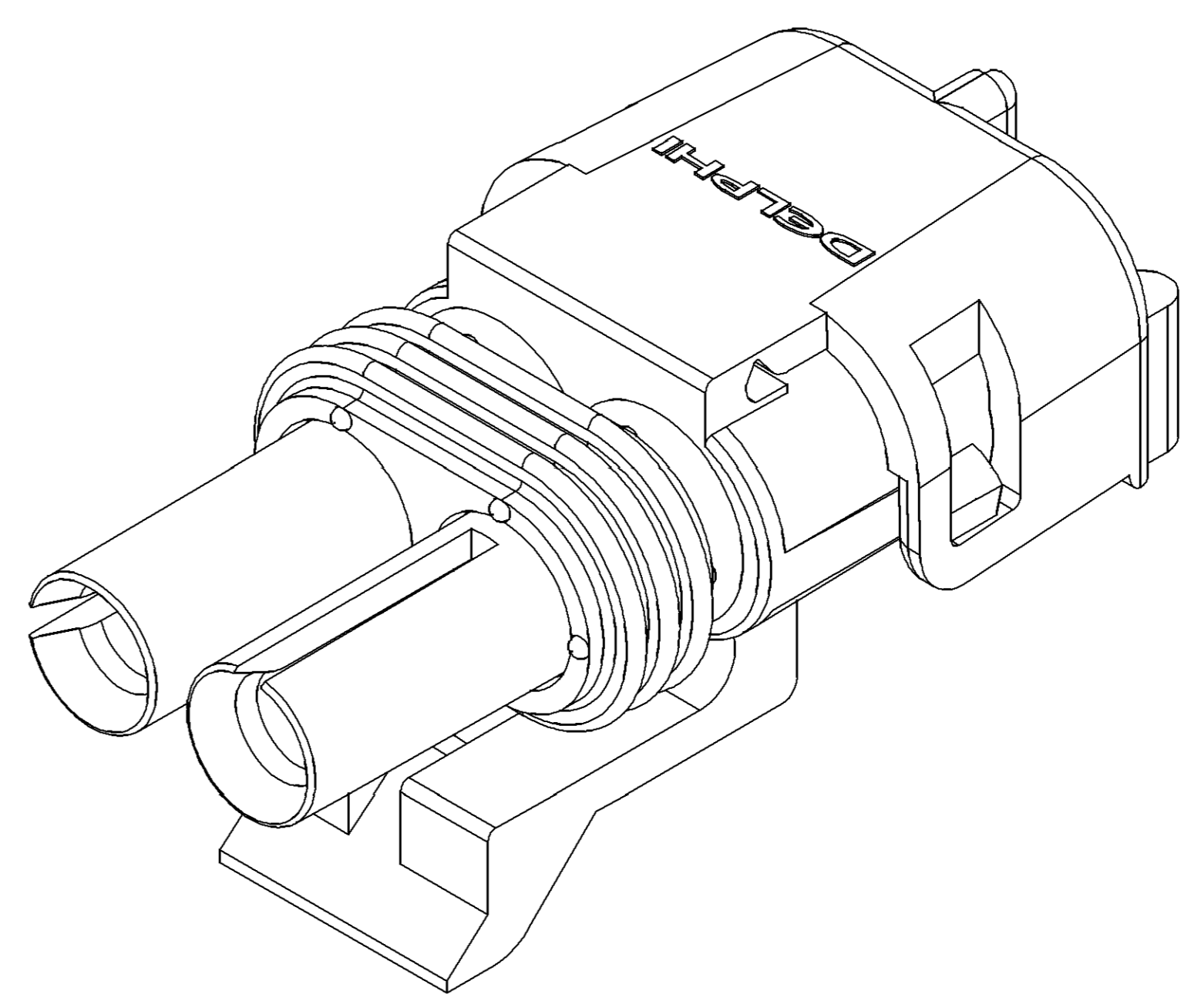


STANDARD CONSTRUCTION

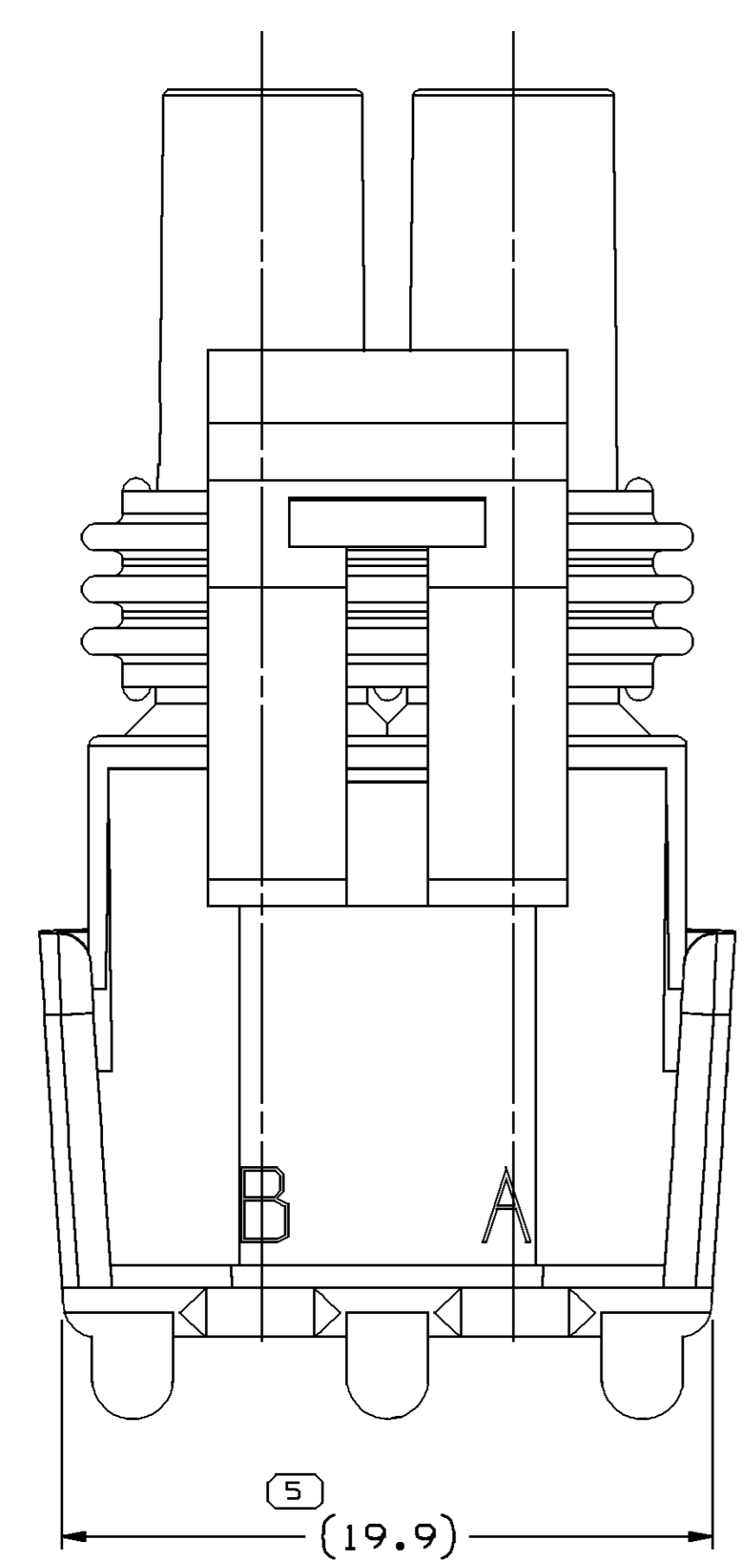
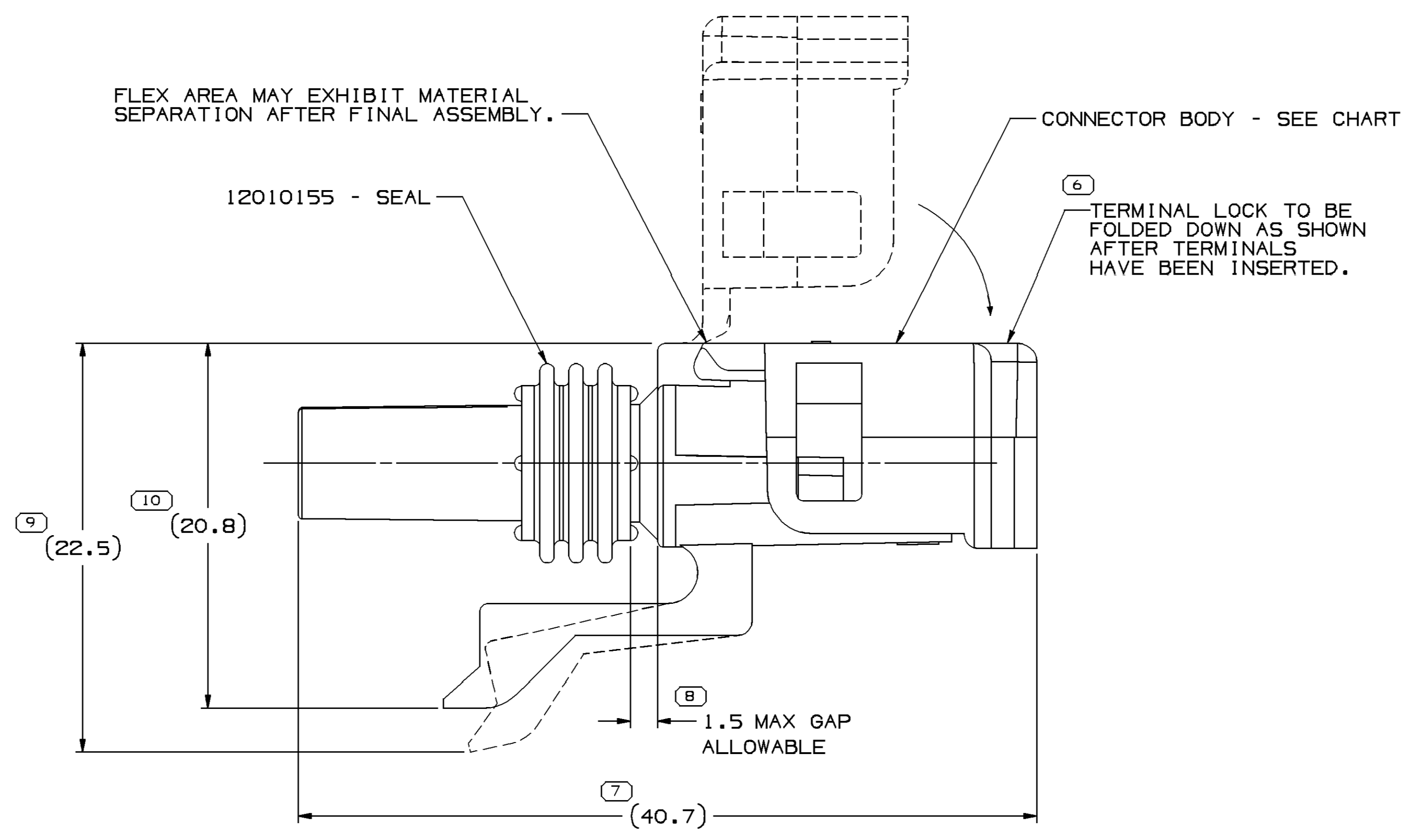


OPTIONAL CONSTRUCTION

CABLE END VIEW OF CONNECTOR BODY



INDEX CODE  
- 32 -  
(ALSO SEE HANDBOOK)



- NOTES
- UNLESS OTHERWISE SPECIFIED AND/OR INDICATED:  
DIMENSIONS ARE TO FACE OF VIEW SHOWN AND AUTOMATICALLY ROUNDED BY COMPUTER FOR INSPECTION (SEE MATH MODEL FOR PRECISE DIMENSIONS). FOR ALL OTHER DIMENSIONS NOT SHOWN BUT REQUIRED FOR TOOL BUILD, SEE MATH MODEL FOR PRECISE TOOL PATH DATA.
  - REFERENCE MATING COMPONENTS OR EQUIVALENT:  
MATING CONNECTOR - SEE CHART
  - THIS PART ACCEPTS THE FOLLOWING COMPONENTS OR EQUIVALENT:  
FEMALE TERMINAL 12089188 FOR IN-LINE APPLICATIONS  
MALE TERMINAL 12089040 FOR PANEL MOUNT APPLICATIONS  
CABLE SEAL 12015323
  - WHEN PARTS ARE SHIPPED THEY MUST BE PACKED IN PLASTIC BAGS OR SHIPPING CONTAINERS MUST BE LINED WITH PLASTIC LINERS. BAGS OR LINERS MUST BE SEALED TO AVOID FOREIGN MATTER.
  - SEALING CODE 3 - DESIGN WILL PASS SALT FOG AND IMMERSION TEST AFTER CONDITIONING AS SPECIFIED IN ESA-644 (WEATHER-PACK). WHEN MATED TO MATING PART OR EQUIVALENT
  - WHEN DESIGNING A PART TO MATE TO THIS WEATHER PACK CONNECTOR, REQUEST THE LAST COPY OF DRAWING NUMBER 12020084 FROM THE PACKARD ELECTRIC DIVISION.

ASSEMBLY PART NO	REV	N/P	STATUS	CONNECTOR BODY	STANDARD DESCRIPTION	APPLICATION	IN-LINE DEVICE	12089188/FEMALE REF TERMINAL/GENDER	12034074 MATING PART
1210378A	A3	-	-	12103782	ASM CONN 2F W/P TWR		IN-LINE DEVICE	12089188/FEMALE	12034074
1201537B	A3	-	-	12010810	ASM CONN 2M W/P TWR		IN-LINE DEVICE	12089040/MALE	12034074

DWG TYPE PART DRAWING		DISTR CODE D	
UNLESS OTHERWISE SPECIFIED THIS DOCUMENT IS IN ACCORDANCE WITH ASME Y14.5M-1994 AS MODIFIED BY THE IN-SITU DIMENSIONING AND TOLERANCE ADDENDUM-001. SEPARATE WRITINGS OF FEATURES MAY BE BASED SEPARATELY PER-ROLE OF DIVISION REFERENCES.			
ALL DIMENSIONS ARE IN MILLIMETERS			
DIMENSIONAL RANGE (MM)		SHORT ET	
FROM	> 0	> 30	> 100
TO	20	70	150
TOLERANCE UNLESS OTHERWISE SPECIFIED		TOLERANCE UNLESS OTHERWISE SPECIFIED	
±0.15 ±0.2 ±0.3 ±0.4 ±0.5 ±0.6 ±0.8 ±1 ±1.2		±0.15 ±0.2 ±0.3 ±0.4 ±0.5 ±0.6 ±0.8 ±1 ±1.2	
ANGULAR TOLERANCE 2°		ANGULAR TOLERANCE 2°	
(N/A) PROCESS SENSITIVE DIMENSION		DIMENSIONS ENCLOSED IN ( ) INDICATE REFERENCE DIMENSIONS AND NO TOLERANCE LIMITS ARE ESTABLISHED	
THIRD ANGLE PROJECTION		DO NOT SCALE	
USE MATH DATA		NX	

**DELPHI**  
DELPHI PACKARD ELECTRICAL/ELECTRONIC ARCHITECTURE  
W/REV, DR

DR	DATE
APV01 GERALD CHAPMAN	21N090
APV02 GERALD CHAPMAN	21N090
APV03 ALEX HERMANN	21N090
APV04	
APV05	

SUBSTANCES OF CONCERN AND RECYCLED CONTENT PER DELPHI 10949001

MATERIAL SEE DRAWING

DRAWING NAME  
TAXI ASM CONN W/P TWR SLD

DRAWING NUMBER  
**12103785**

SIZE A0 SCALE 5:1 FRG NO 1 OF 1 SHEET NO 1576 REV N/P R 02

Date: 09-Jun-07 Time: 07:15