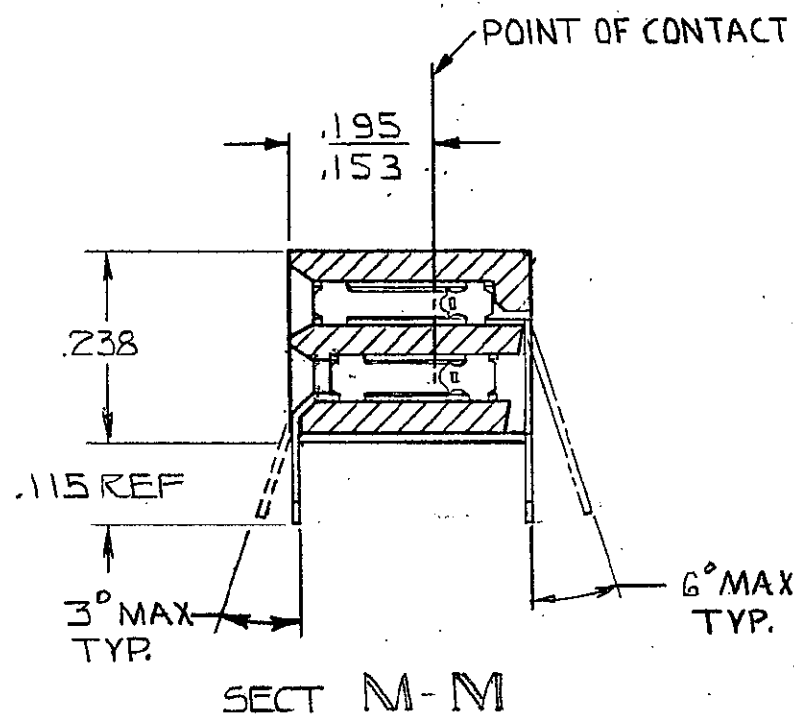
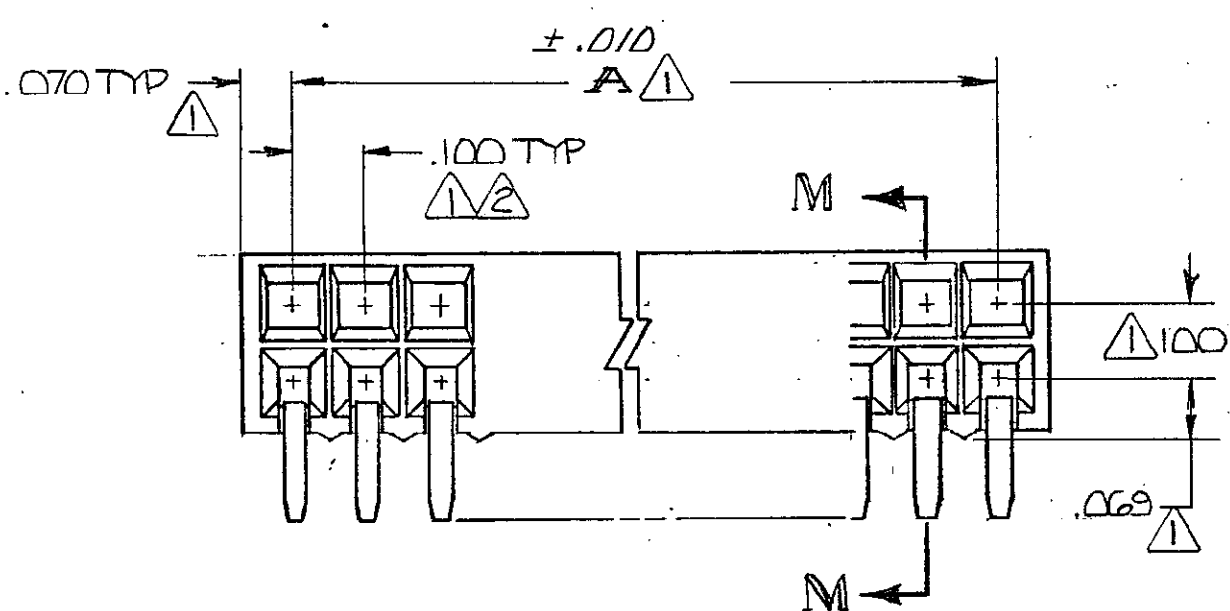
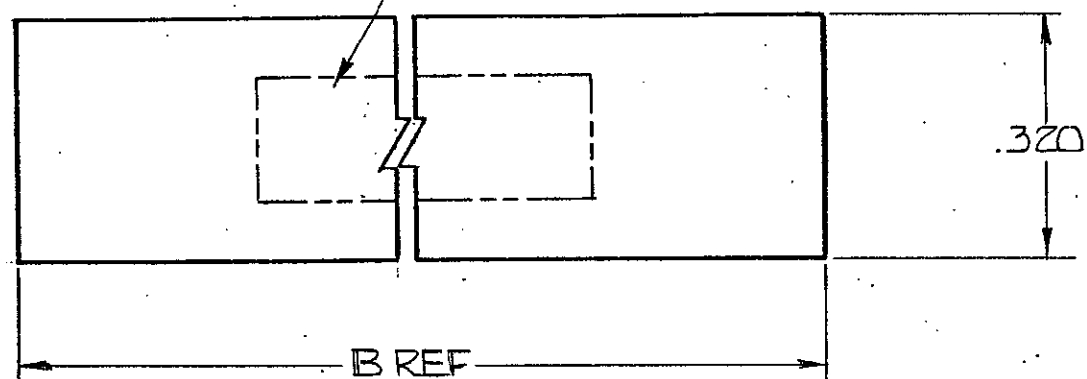


© COPYRIGHT 1981, 82, 83 BY AMP INCORPORATED, HARRISBURG, PA. ALL INTERNATIONAL RIGHTS RESERVED. AMP INCORPORATED PRODUCTS COVERED BY U. S. AND FOREIGN PATENTS AND/OR PATENTS PENDING.

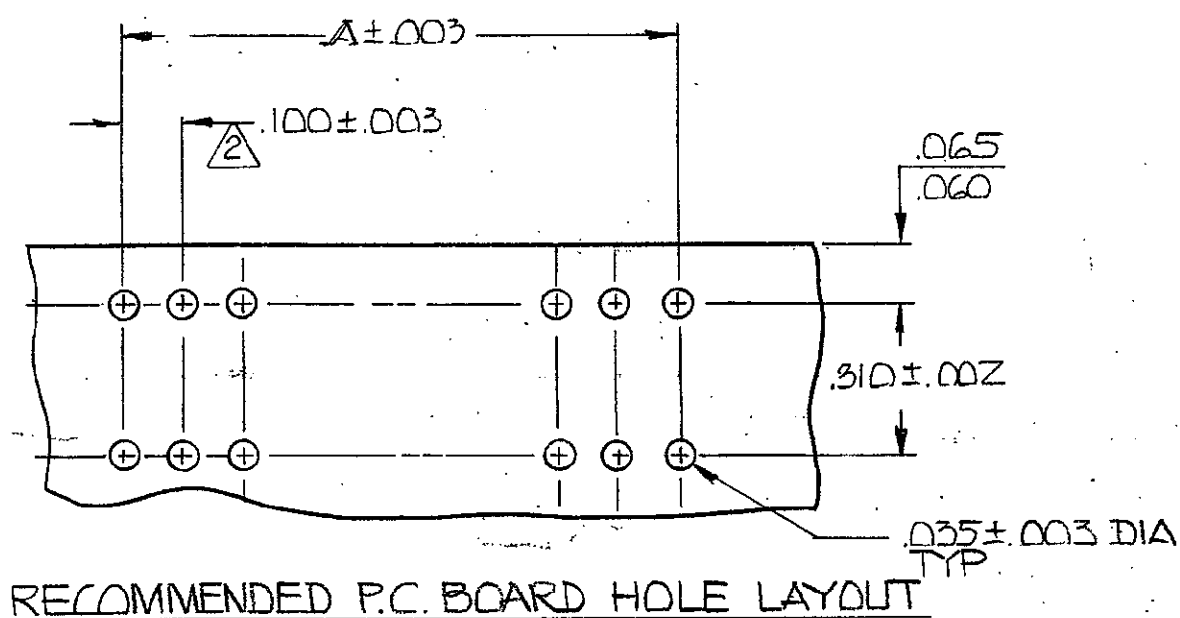
AMP PART NO., DATE CODE AND THE WORD "FRONT" MARKED .062 ± .015 HIGH CHARACTERS IN APPROX AREA SHOWN.



- △ THESE DIMENSIONS PERTAIN TO CAVITY CENTERLINES ONLY, NOT TO CONTACT LOCATIONS.
- △ TOLERANCE NON-CUMULATIVE
- △ GOLD FLASH OVER .000050 NICKEL ENTIRE CONTACT, .000050 GOLD ON CONTACT AREA. CONTACT LEADS PRE-TINNED WITH 63% 37% TIN-LEAD.

1. ONE INSULATOR STRIP PACKAGED WITH EACH ASSEMBLY.

- 5. OBSOLETE
- 6. MARK "CSA" LOGO ON PART.



RECOMMENDED P.C. BOARD HOLE LAYOUT

| | | REVISIONS | | | |
|---|---|-----------|---------------------------|---------|----------|
| P | F | ZONE | DESCRIPTION | DATE | APPROVED |
| | | | RELEASED WAG 5182-743-1e2 | | |
| | | A | REV PER ECN 4214 | 1-28-82 | ab |
| | | A1 | REV PER ECN 4233 | 1-28-82 | DF |
| | | B | REV - ECN 4580 | 2-2-82 | DS |
| | | B1 | REV PER ECN 4704 | 1-8-83 | DR |
| | | B2 | ECN AB-2354 | 2-8-87 | DR |
| | | B3 | ECN AB-2452 | 7-8-87 | DR |
| | | B4 | ECN AD-2061 | 12-8-87 | DR |
| | | C | ECN AD-2626 | 7-8-88 | DR |
| | | D | REV PER 0600-0482-93 | 3-1-93 | DR |
| | | E | REV PER 0600-5131-96 | 6-1-96 | DR |
| | | F | REV PER 0600-6036-96 | 10-97 | |

| | | | | | |
|----------|------------|--|--|--|--|
| OBSOLETE | 3-102770-6 | | | | |
| | 3-1-5 | | | | |
| | 3-1-4 | | | | |
| | 3-1-3 | | | | |
| | 3-1-2 | | | | |
| | 3-1-1 | | | | |
| | 3-1-0 | | | | |
| | 2-1-9 | | | | |
| | 2-1-8 | | | | |
| | 2-1-7 | | | | |
| 2-1-6 | | | | | |
| 2-1-5 | | | | | |
| 2-1-4 | | | | | |
| 2-1-3 | | | | | |
| 2-1-2 | | | | | |
| 2-1-1 | | | | | |
| 2-1-0 | | | | | |
| 1-1-9 | | | | | |
| 1-1-8 | | | | | |
| 1-1-7 | | | | | |
| 1-1-6 | | | | | |
| 1-1-5 | | | | | |
| 1-1-4 | | | | | |
| 1-1-3 | | | | | |
| 1-1-2 | | | | | |
| 1-1-1 | | | | | |
| 1-1-0 | | | | | |
| 1-1-9 | | | | | |
| 1-1-8 | | | | | |
| 1-1-7 | | | | | |
| 1-1-6 | | | | | |
| 1-1-5 | | | | | |
| 1-1-4 | | | | | |
| 1-1-3 | | | | | |
| 1-1-2 | | | | | |
| 1-1-1 | | | | | |
| 1-1-0 | | | | | |
| 1-1-9 | | | | | |
| 1-1-8 | | | | | |
| 1-1-7 | | | | | |
| 1-1-6 | | | | | |
| 1-1-5 | | | | | |
| 1-1-4 | | | | | |
| 1-1-3 | | | | | |
| 1-1-2 | | | | | |
| 1-1-1 | | | | | |
| 1-1-0 | | | | | |
| 1-1-9 | | | | | |
| 1-1-8 | | | | | |
| 1-1-7 | | | | | |
| 1-1-6 | | | | | |
| 1-1-5 | | | | | |
| 1-1-4 | | | | | |
| 1-1-3 | | | | | |
| 1-1-2 | | | | | |
| 1-1-1 | | | | | |
| 1-1-0 | | | | | |
| 1-1-9 | | | | | |
| 1-1-8 | | | | | |
| 1-1-7 | | | | | |
| 1-1-6 | | | | | |
| 1-1-5 | | | | | |
| 1-1-4 | | | | | |
| 1-1-3 | | | | | |
| 1-1-2 | | | | | |
| 1-1-1 | | | | | |
| 1-1-0 | | | | | |
| 1-1-9 | | | | | |
| 1-1-8 | | | | | |
| 1-1-7 | | | | | |
| 1-1-6 | | | | | |
| 1-1-5 | | | | | |
| 1-1-4 | | | | | |
| 1-1-3 | | | | | |
| 1-1-2 | | | | | |
| 1-1-1 | | | | | |
| 1-1-0 | | | | | |
| 1-1-9 | | | | | |
| 1-1-8 | | | | | |
| 1-1-7 | | | | | |
| 1-1-6 | | | | | |
| 1-1-5 | | | | | |
| 1-1-4 | | | | | |
| 1-1-3 | | | | | |
| 1-1-2 | | | | | |
| 1-1-1 | | | | | |
| 1-1-0 | | | | | |
| 1-1-9 | | | | | |
| 1-1-8 | | | | | |
| 1-1-7 | | | | | |
| 1-1-6 | | | | | |
| 1-1-5 | | | | | |
| 1-1-4 | | | | | |
| 1-1-3 | | | | | |
| 1-1-2 | | | | | |
| 1-1-1 | | | | | |
| 1-1-0 | | | | | |
| 1-1-9 | | | | | |
| 1-1-8 | | | | | |
| 1-1-7 | | | | | |
| 1-1-6 | | | | | |
| 1-1-5 | | | | | |
| 1-1-4 | | | | | |
| 1-1-3 | | | | | |
| 1-1-2 | | | | | |
| 1-1-1 | | | | | |
| 1-1-0 | | | | | |
| 1-1-9 | | | | | |
| 1-1-8 | | | | | |
| 1-1-7 | | | | | |
| 1-1-6 | | | | | |
| 1-1-5 | | | | | |
| 1-1-4 | | | | | |
| 1-1-3 | | | | | |
| 1-1-2 | | | | | |
| 1-1-1 | | | | | |
| 1-1-0 | | | | | |
| 1-1-9 | | | | | |
| 1-1-8 | | | | | |
| 1-1-7 | | | | | |
| 1-1-6 | | | | | |
| 1-1-5 | | | | | |
| 1-1-4 | | | | | |
| 1-1-3 | | | | | |
| 1-1-2 | | | | | |
| 1-1-1 | | | | | |
| 1-1-0 | | | | | |
| 1-1-9 | | | | | |
| 1-1-8 | | | | | |
| 1-1-7 | | | | | |
| 1-1-6 | | | | | |
| 1-1-5 | | | | | |
| 1-1-4 | | | | | |
| 1-1-3 | | | | | |
| 1-1-2 | | | | | |
| 1-1-1 | | | | | |
| 1-1-0 | | | | | |
| 1-1-9 | | | | | |
| 1-1-8 | | | | | |
| 1-1-7 | | | | | |
| 1-1-6 | | | | | |
| 1-1-5 | | | | | |
| 1-1-4 | | | | | |
| 1-1-3 | | | | | |
| 1-1-2 | | | | | |
| 1-1-1 | | | | | |
| 1-1-0 | | | | | |
| 1-1-9 | | | | | |
| 1-1-8 | | | | | |
| 1-1-7 | | | | | |
| 1-1-6 | | | | | |
| 1-1-5 | | | | | |
| 1-1-4 | | | | | |
| 1-1-3 | | | | | |
| 1-1-2 | | | | | |
| 1-1-1 | | | | | |
| 1-1-0 | | | | | |
| 1-1-9 | | | | | |
| 1-1-8 | | | | | |
| 1-1-7 | | | | | |
| 1-1-6 | | | | | |
| 1-1-5 | | | | | |
| 1-1-4 | | | | | |
| 1-1-3 | | | | | |
| 1-1-2 | | | | | |
| 1-1-1 | | | | | |
| 1-1-0 | | | | | |
| 1-1-9 | | | | | |
| 1-1-8 | | | | | |
| 1-1-7 | | | | | |
| 1-1-6 | | | | | |
| 1-1-5 | | | | | |
| 1-1-4 | | | | | |
| 1-1-3 | | | | | |
| 1-1-2 | | | | | |
| 1-1-1 | | | | | |
| 1-1-0 | | | | | |
| 1-1-9 | | | | | |
| 1-1-8 | | | | | |
| 1-1-7 | | | | | |
| 1-1-6 | | | | | |
| 1-1-5 | | | | | |
| 1-1-4 | | | | | |
| 1-1-3 | | | | | |
| 1-1-2 | | | | | |
| 1-1-1 | | | | | |
| 1-1-0 | | | | | |
| 1-1-9 | | | | | |
| 1-1-8 | | | | | |
| 1-1-7 | | | | | |
| 1-1-6 | | | | | |
| 1-1-5 | | | | | |
| 1-1-4 | | | | | |
| 1-1-3 | | | | | |
| 1-1-2 | | | | | |
| 1-1-1 | | | | | |
| 1-1-0 | | | | | |
| 1-1-9 | | | | | |
| 1-1-8 | | | | | |
| 1-1-7 | | | | | |
| 1-1-6 | | | | | |
| 1-1-5 | | | | | |
| 1-1-4 | | | | | |
| 1-1-3 | | | | | |
| 1-1-2 | | | | | |
| 1-1-1 | | | | | |
| 1-1-0 | | | | | |
| 1-1-9 | | | | | |
| 1-1-8 | | | | | |
| 1-1-7 | | | | | |
| 1-1-6 | | | | | |
| 1-1-5 | | | | | |
| 1-1-4 | | | | | |
| 1-1-3 | | | | | |
| 1-1-2 | | | | | |
| 1-1-1 | | | | | |
| 1-1-0 | | | | | |
| 1-1-9 | | | | | |
| 1-1-8 | | | | | |
| 1-1-7 | | | | | |
| 1-1-6 | | | | | |
| 1-1-5 | | | | | |
| 1-1-4 | | | | | |
| 1-1-3 | | | | | |
| 1-1-2 | | | | | |
| 1-1-1 | | | | | |
| 1-1-0 | | | | | |
| 1-1-9 | | | | | |
| 1-1-8 | | | | | |
| 1-1-7 | | | | | |
| 1-1-6 | | | | | |
| 1-1-5 | | | | | |
| 1-1-4 | | | | | |
| 1-1-3 | | | | | |
| 1-1-2 | | | | | |
| 1-1-1 | | | | | |
| 1-1-0 | | | | | |
| 1-1-9 | | | | | |
| 1-1-8 | | | | | |
| 1-1-7 | | | | | |
| 1-1-6 | | | | | |
| 1-1-5 | | | | | |
| 1-1-4 | | | | | |
| 1-1-3 | | | | | |
| 1-1-2 | | | | | |
| 1-1-1 | | | | | |
| 1-1-0 | | | | | |
| 1-1-9 | | | | | |
| 1-1-8 | | | | | |
| 1-1-7 | | | | | |
| 1-1-6 | | | | | |
| 1-1-5 | | | | | |
| 1-1-4 | | | | | |
| 1-1-3 | | | | | |
| 1-1-2 | | | | | |
| 1-1-1 | | | | | |
| 1-1-0 | | | | | |
| 1-1-9 | | | | | |
| 1-1-8 | | | | | |
| 1-1-7 | | | | | |
| 1-1-6 | | | | | |
| 1-1-5 | | | | | |
| 1-1-4 | | | | | |
| 1-1-3 | | | | | |
| 1-1-2 | | | | | |
| 1-1-1 | | | | | |
| 1-1-0 | | | | | |
| 1-1-9 | | | | | |
| 1-1-8 | | | | | |
| 1-1-7 | | | | | |
| 1-1-6 | | | | | |
| 1-1-5 | | | | | |
| 1-1-4 | | | | | |
| 1-1-3 | | | | | |
| 1-1-2 | | | | | |
| 1-1-1 | | | | | |
| 1-1-0 | | | | | |
| 1-1-9 | | | | | |
| 1-1-8 | | | | | |
| 1-1-7 | | | | | |
| 1-1-6 | | | | | |