

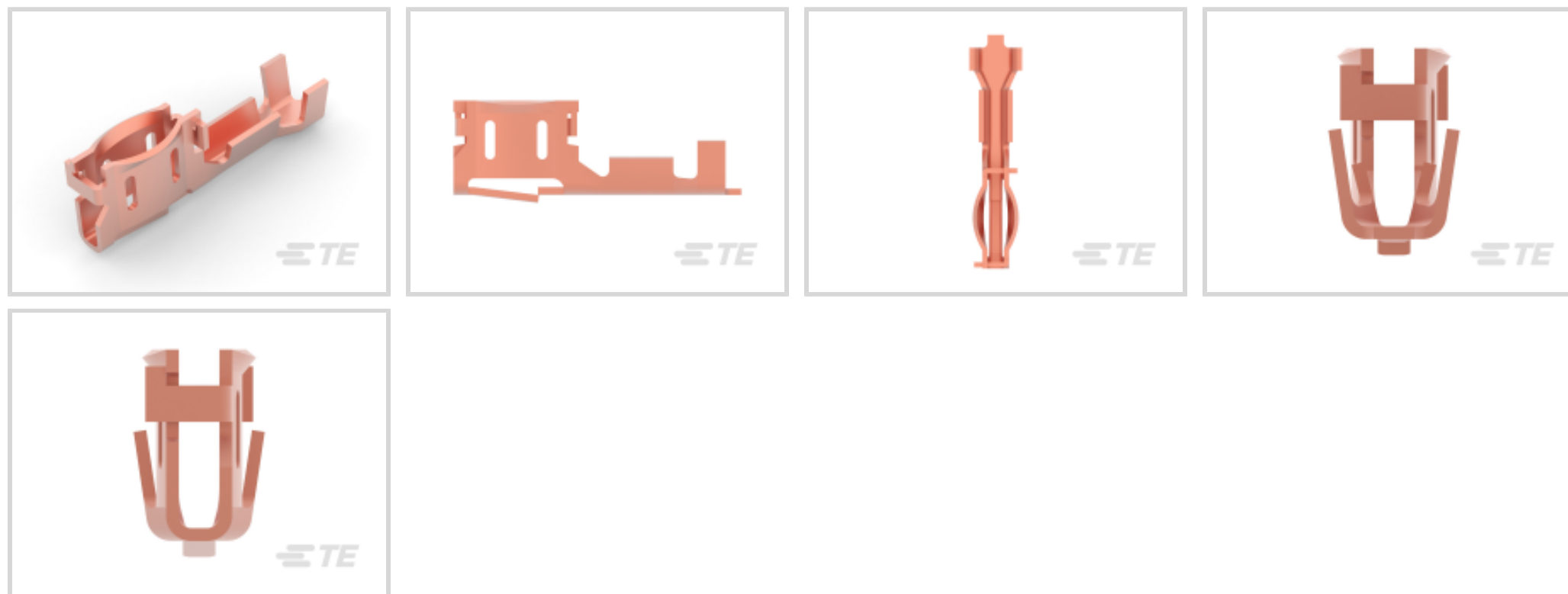


TE Internal #: 1123655-1

Magnet Wire Terminals, Receptacle, .12 – 1.3 mm Magnet Wire, 26 – 16 AWG Magnet Wire, Crimp, Tin Plating, Length .677 in [17.2 mm], Reel

[View on TE.com >](#)

Terminals & Splices > Magnet Wire Terminals



Magnet Wire Terminal Type: **Receptacle**

Mating Pin Diameter: **2.29 mm [.09 in]**

Accepts Wire Insulation Diameter (Max): **2 mm [.075 in]**

Accepts Wire Insulation Diameter Range: **.9 – 2 mm [.035 – .075 in]**

Magnet Wire Size: **.12 – 1.3 mm**

Features

Product Type Features

Wire Insulation Support Retention Type	Insulation Support
Compatible With Discrete Wire Type	Magnet Wire, Solid
Sealable	No

Contact Features

Magnet Wire Terminal Type	Receptacle
Mating Pin Diameter	2.29 mm [.09 in]
Terminal Plating Material	Tin
Terminal Orientation	Straight

Termination Features

Termination Method to Wire & Cable	Crimp
------------------------------------	-------

Mechanical Attachment

Wire Insulation Support	With
-------------------------	------

Housing Features

Housing Retention Force	Standard
-------------------------	----------



Dimensions

Terminal Height	6 mm[.236 in]
Accepts Wire Insulation Diameter (Max)	2 mm[.075 in]
Accepts Wire Insulation Diameter Range	.9 – 2 mm[.035 – .075 in]
Magnet Wire Size	26 – 16 AWG
Stock Thickness (Magnet Wire Side)	.4 mm[.016 in]
Overall Product Length	17.2 mm[.677 in]

Usage Conditions

Insulation Option	Uninsulated
Operating Temperature Range	-20 – 90 °C[-4 – 194 °F]

Operation/Application

Compatible With Wire Base Material	Aluminum, Copper
------------------------------------	------------------

Packaging Features

Packaging Quantity	5000
Packaging Method	Reel

Product Compliance

[For compliance documentation, visit the product page on TE.com>](#)

EU RoHS Directive 2011/65/EU	Compliant
EU ELV Directive 2000/53/EC	Compliant
China RoHS 2 Directive MIIT Order No 32, 2016	No Restricted Materials Above Threshold
EU REACH Regulation (EC) No. 1907/2006	Current ECHA Candidate List: JAN 2022 (223) Candidate List Declared Against: JAN 2022 (223) Does not contain REACH SVHC
Halogen Content	Low Halogen - Br, Cl, F, I < 900 ppm per homogenous material. Also BFR/CFR/PVC Free
Solder Process Capability	Not applicable for solder process capability

Product Compliance Disclaimer

This information is provided based on reasonable inquiry of our suppliers and represents our current actual knowledge based on the information they provided. This information is subject to change. The part numbers that TE has identified as EU RoHS compliant have a maximum concentration of 0.1% by weight in homogenous materials for lead, hexavalent chromium, mercury, PBB, PBDE, DBP, BBP, DEHP, DIBP, and 0.01% for cadmium, or qualify for an exemption to these limits as defined in the Annexes of Directive 2011/65/EU (RoHS2). Finished electrical and electronic equipment products will be CE marked as required by Directive 2011/65/EU. Components may not be CE marked. Additionally, the part

numbers that TE has identified as EU ELV compliant have a maximum concentration of 0.1% by weight in homogenous materials for lead, hexavalent chromium, and mercury, and 0.01% for cadmium, or qualify for an exemption to these limits as defined in the Annexes of Directive 2000/53/EC (ELV). Regarding the REACH Regulation, the information TE provides on SVHC in articles for this part number is based on the latest European Chemicals Agency (ECHA) 'Guidance on requirements for substances in articles' posted at this URL: <https://echa.europa.eu/guidance-documents/guidance-on-reach>

Compatible Parts



TE Part # 171370-5
CLUSTER BLOCK HSG PBT



TE Part # 360033-1
090 DIA CLSTR BLK



TE Part # 141101-2
RECEPT CLUSTER



TE Part # 1855603-1
HDM/FA EAPR.070F.130F LM/BENCH
G CUT



TE Part # 2-2150942-2
OCEAN_2.0_Applicator-E-070F130F



TE Part # 2150942-2
OCEAN_2.0_Applicator-E-070F130F



TE Part # 62131-8
CLSTR PIN RCPT



TE Part # 7-2150942-2
OCEAN_2.0_Applicator-E-070F130F



TE Part # 7-2150942-7
OCEAN_2.0_SPARE_PART_KIT-
070F130F

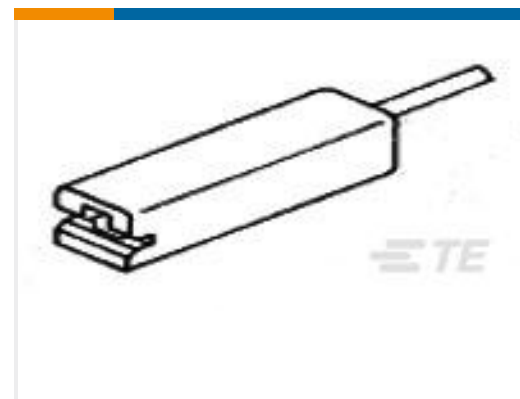


TE Part # 737110-3
CLUSTER BLOCK HSG VO WHI

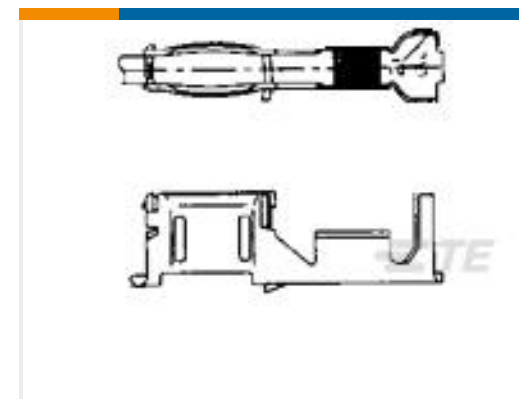
Customers Also Bought



TE Part #179938-1
AMP POWER DBL LOCK PLUG HSG 3P



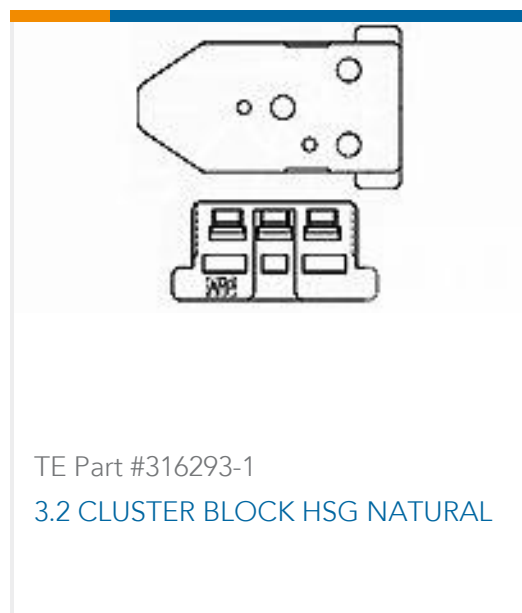
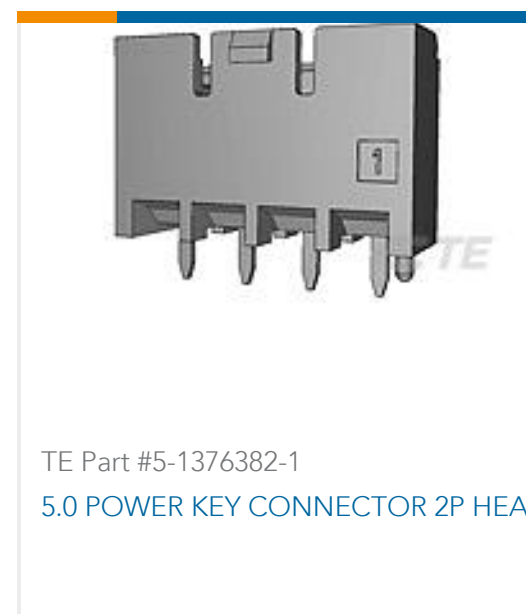
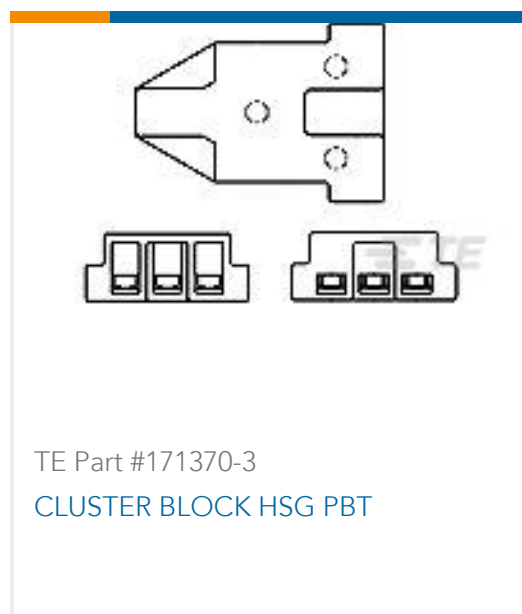
TE Part #1-480417-0
110 FASTON HSG.,REC.,1 POS,
NATURAL



TE Part #316292-1
3.2 CLUSTER REC L-TYPE



TE Part #964203-1
STD PW TIMER CONTACT



Documents

Product Drawings

2.3 DIA CLUSTER AMPLIVER S TIN

English

CAD Files

3D PDF

3D

Customer View Model

[ENG_CVM_CVM_1123655-1_D_c-1123655-1-d.2d_dxf.zip](#)

English

Customer View Model

[ENG_CVM_CVM_1123655-1_D_c-1123655-1-d.3d_igs.zip](#)

English

Customer View Model

[ENG_CVM_CVM_1123655-1_D_c-1123655-1-d.3d_stp.zip](#)

English

By downloading the CAD file I accept and agree to the [Terms and Conditions](#) of use.

Product Specifications

2.3 DIA Cluster Receptacle AMPLIVAR Type

English

Application Specification

English

Product Environmental Compliance

[MD_1123655-1_092620181328_dmtec](#)

English

1123655-1

Magnet Wire Terminals, Receptacle, .12 – 1.3 mm Magnet Wire, 26 – 16 AWG
Magnet Wire, Crimp, Tin Plating, Length .677 in [17.2 mm], Reel



[MD_1123655-1_092620181328_dmtec](#)

English