



Connectors > PCB Connectors > Wire-to-Board Connectors > FFC, FPC & Ribbon Connectors > Ribbon Connector Accessories



Flat Flexible Cable Accessory Type: **Ejector Latch**

## Features

### Product Type Features

Flat Flexible Cable Accessory Type	Ejector Latch
------------------------------------	---------------

### Body Features

Primary Product Material	Polyester
Primary Product Color	Black

### Dimensions

	.928 in
--	---------

### Industry Standards

CSA File Number	LR 7189
Agency/Standard	CSA, UL
UL Rating	Recognized
UL File Number	E28476

### Packaging Features

Packaging Quantity	1
Packaging Method	Package

### Other

Comment	Pin Contact
---------	-------------

## Product Compliance

[For compliance documentation, visit the product page on TE.com>](#)

EU RoHS Directive 2011/65/EU	Compliant
EU ELV Directive 2000/53/EC	Compliant
China RoHS 2 Directive MIIT Order No 32, 2016	No Restricted Materials Above Threshold
EU REACH Regulation (EC) No. 1907/2006	Current ECHA Candidate List: JAN 2022 (223) Candidate List Declared Against: JAN 2022 (223) Does not contain REACH SVHC
Halogen Content	Not Low Halogen - contains Br or Cl > 900 ppm.
Solder Process Capability	Not applicable for solder process capability

#### Product Compliance Disclaimer

This information is provided based on reasonable inquiry of our suppliers and represents our current actual knowledge based on the information they provided. This information is subject to change. The part numbers that TE has identified as EU RoHS compliant have a maximum concentration of 0.1% by weight in homogenous materials for lead, hexavalent chromium, mercury, PBB, PBDE, DBP, BBP, DEHP, DIBP, and 0.01% for cadmium, or qualify for an exemption to these limits as defined in the Annexes of Directive 2011/65/EU (RoHS2). Finished electrical and electronic equipment products will be CE marked as required by Directive 2011/65/EU. Components may not be CE marked. Additionally, the part numbers that TE has identified as EU ELV compliant have a maximum concentration of 0.1% by weight in homogenous materials for lead, hexavalent chromium, and mercury, and 0.01% for cadmium, or qualify for an exemption to these limits as defined in the Annexes of Directive 2000/53/EC (ELV). Regarding the REACH Regulation, the information TE provides on SVHC in articles for this part number is based on the latest European Chemicals Agency (ECHA) 'Guidance on requirements for substances in articles' posted at this URL: <https://echa.europa.eu/guidance-documents/guidance-on-reach>

## Compatible Parts



## Customers Also Bought



TE Part #111547-1  
010 UNIV I/O STRAIN RELIEF



TE Part #1-6609028-5  
10VK7=F7145 S0



TE Part #499252-6  
034 STRAIN RELIEF A-L RCPT



TE Part #91517-1  
CCII FEMALE MOD IV REC 24-22 ASSY



TE Part #1-111446-4  
10 UNIV I/O, NO EARS, LEAD FREE



TE Part #3-520116-2  
ULTRA-FAST 250 ASY REC 16-14 AWG  
TPBR



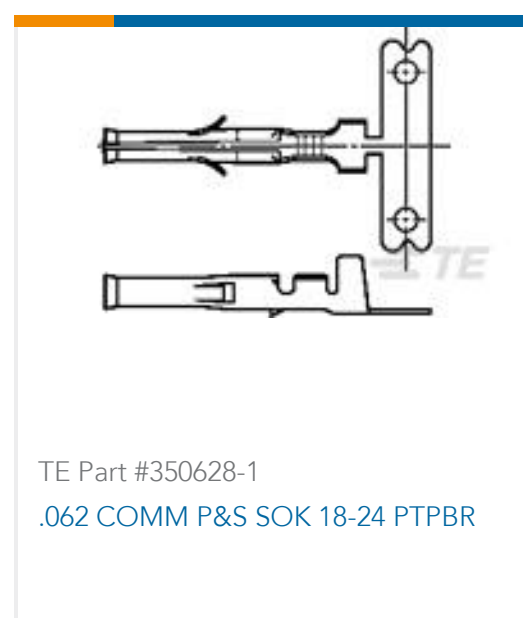
TE Part #1-111446-6  
16 UNIV I/O, NO EARS, LEAD FREE



TE Part #2-111446-0  
026 UNIV I/O 30DP NO EARS



TE Part #3-643814-8  
08P MTA100 CONN ASSY POL RIB



TE Part #350628-1  
.062 COMM P&S SOK 18-24 PTPBR

## Documents

### Product Drawings

#### LATCH,UNIV I/O

English

### CAD Files

#### 3D PDF

3D

#### Customer View Model

[ENG\\_CVM\\_CVM\\_111451-3\\_S.2d\\_dxf.zip](#)

English

#### Customer View Model

[ENG\\_CVM\\_CVM\\_111451-3\\_S.3d\\_igs.zip](#)

English

#### Customer View Model

[ENG\\_CVM\\_CVM\\_111451-3\\_S.3d\\_stp.zip](#)

English

By downloading the CAD file I accept and agree to the [Terms and Conditions](#) of use.

### Datasheets & Catalog Pages



[Ribbon Cable Interconnect Solutions](#)

English

---

[Product Specifications](#)

[Application Specification](#)

English

---

[Instruction Sheets](#)

[Removal Tool for Universal Header Latches](#)

English

[Instruction Sheet \(U.S.\)](#)

English

---

[Agency Approvals](#)

[Agency Approval Document](#)

English