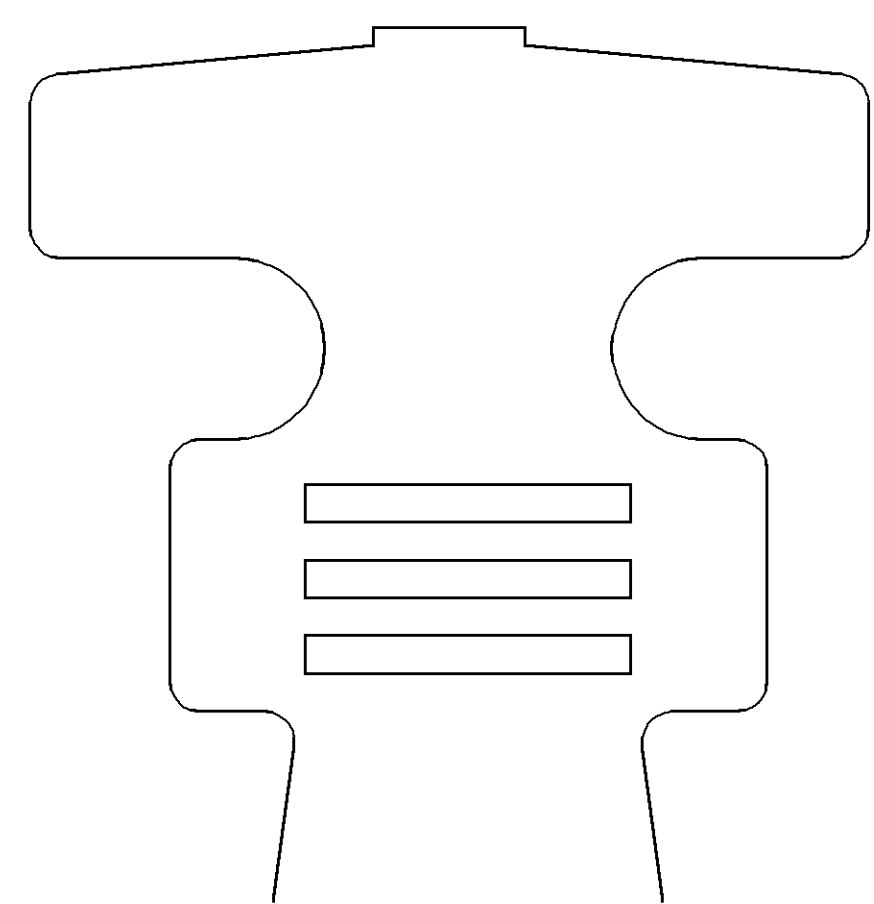
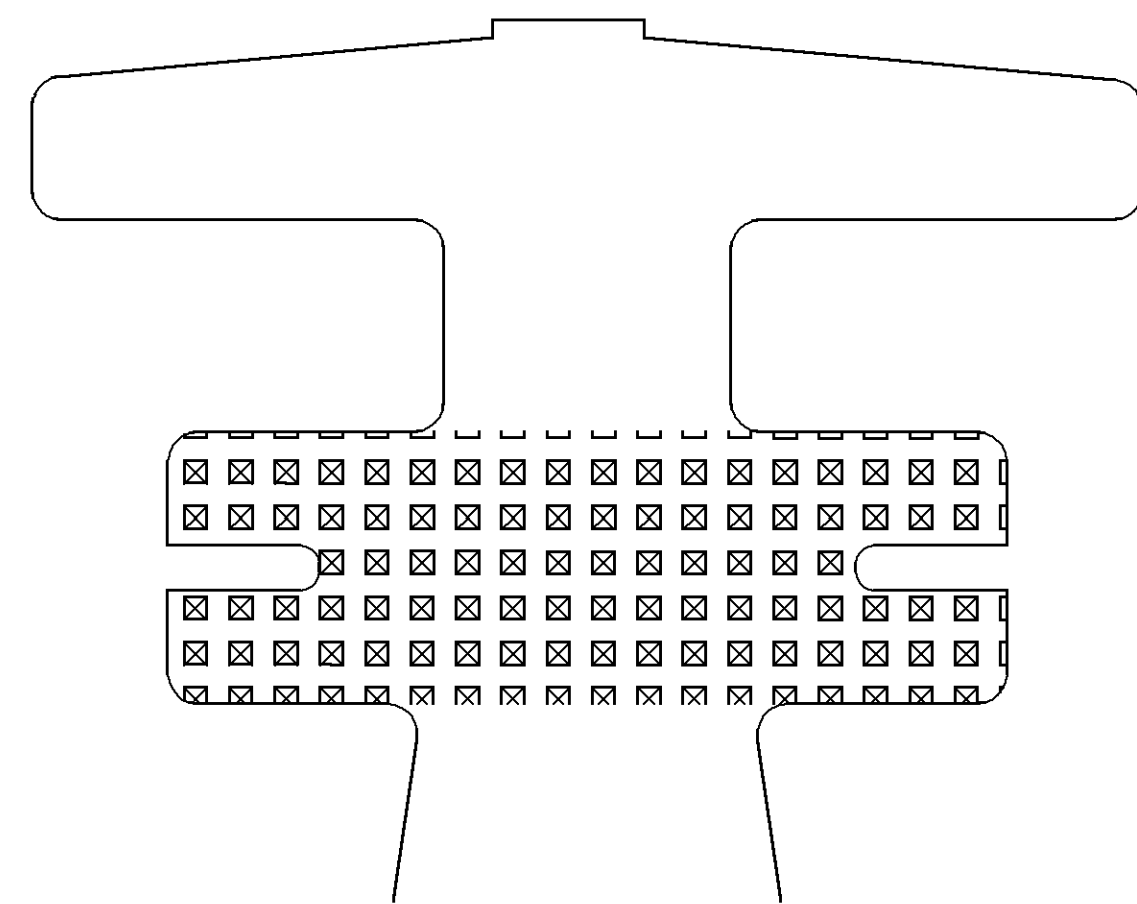


TYPE 101
SCALE 10:1

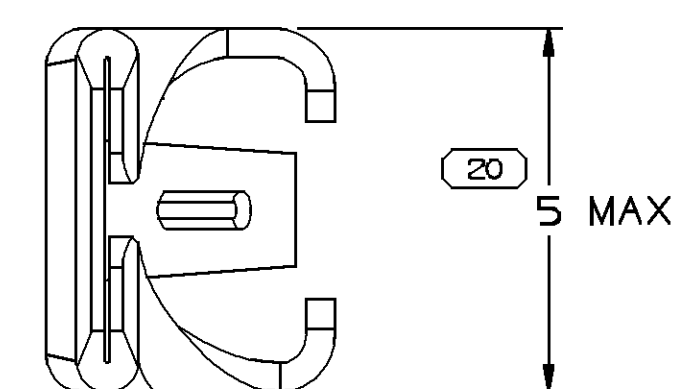


TYPE 102
SCALE 10:1

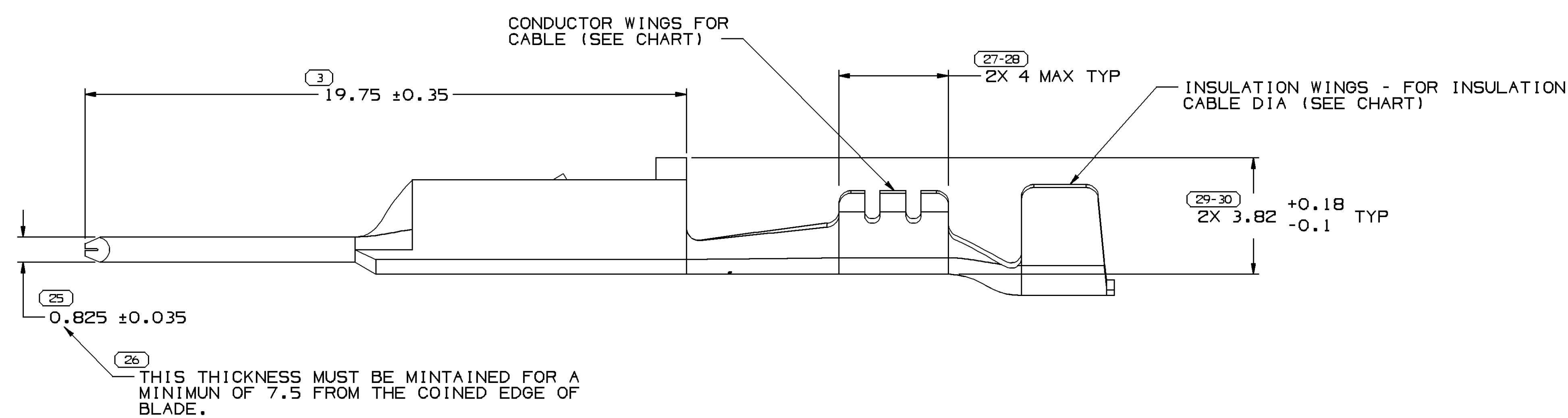
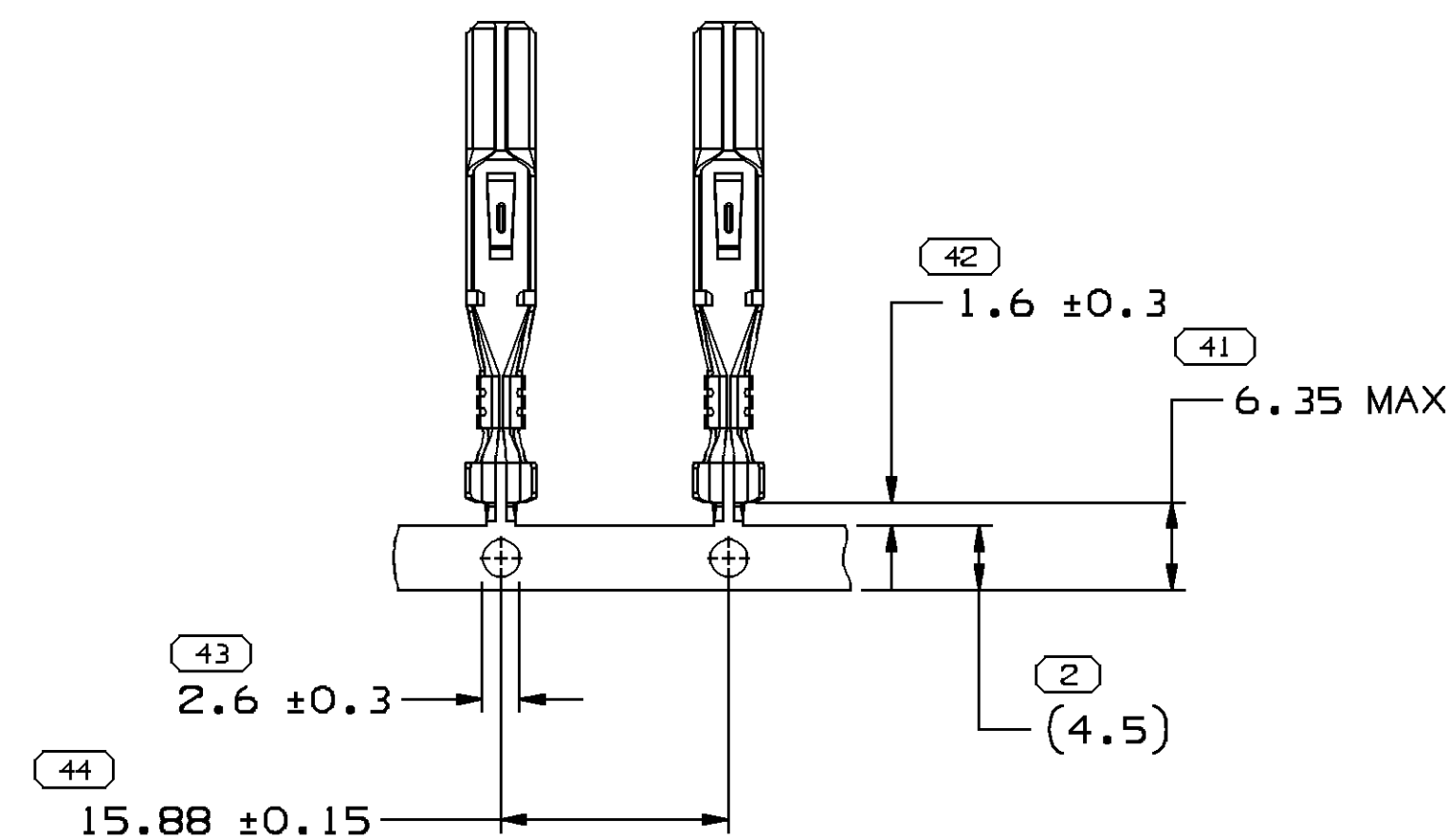
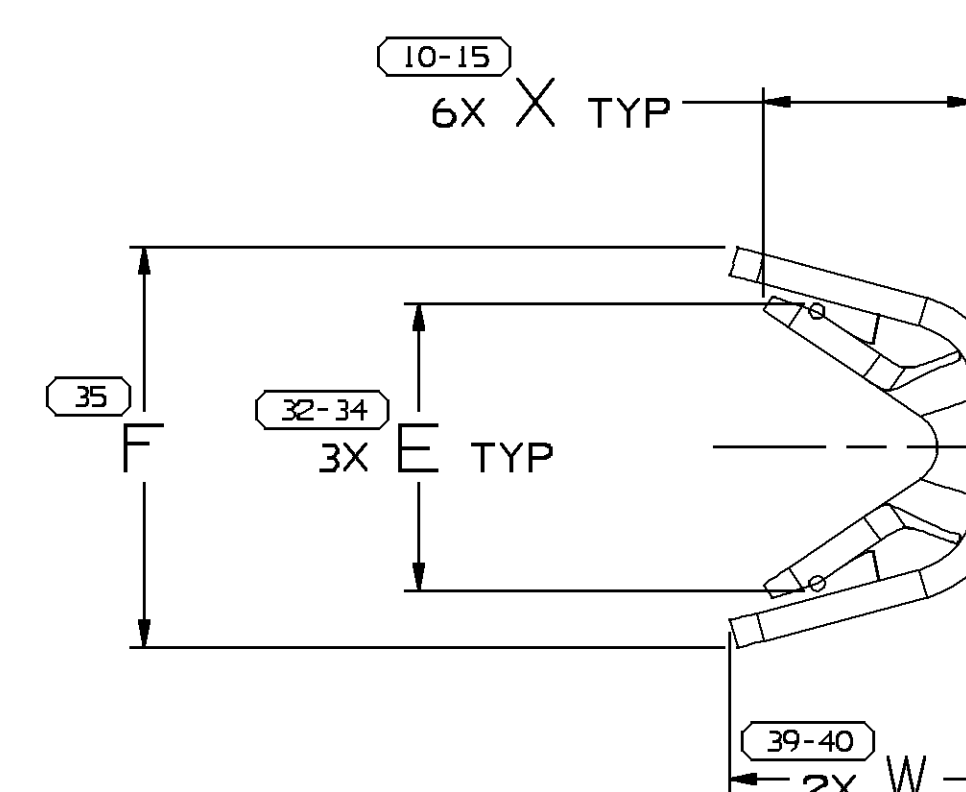
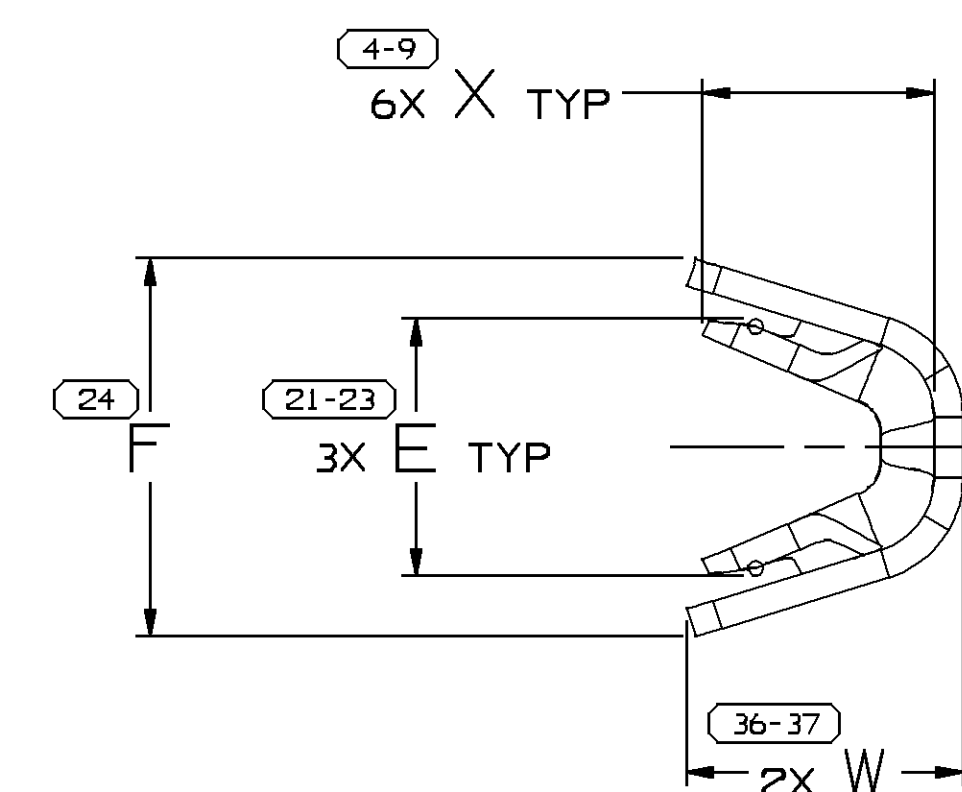
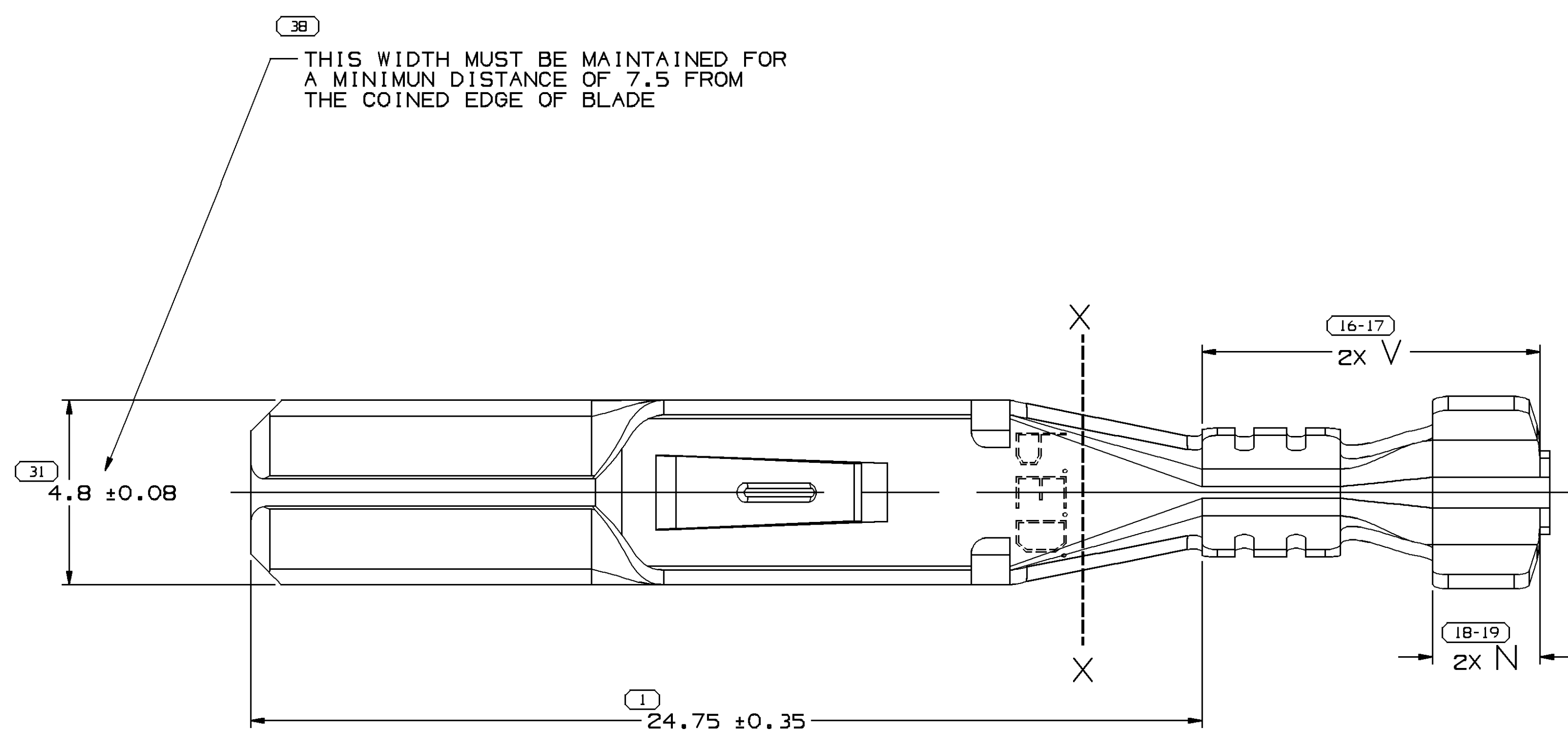


TYPE 103
SCALE 10:1

BLANK VIEWS



VIEW TO X-X



NOTES

- UNLESS OTHERWISE SPECIFIED AND/OR INDICATED: DIMENSIONS ARE TO FACE OF VIEW SHOWN AND AUTOMATICALLY ROUNDED BY COMPUTER FOR INSPECTION (SEE MATH MODEL FOR PRECISE DIMENSIONS). FOR ALL OTHER DIMENSIONS NOT SHOWN BUT REQUIRED FOR TOOL BUILD, SEE MATH MODEL FOR PRECISE TOOL PATH DATA.
- MATING COMPONENTS OR EQUIVALENT: TERMINAL 12015828

PART NO	REV N/P	STATUS	MAT'L SIZE	MAT'L SPEC	PART NO	REV N/P	STATUS	MAT'L SPEC	SIZE (MM²)	ID	DIA	TYPE	E _{10.4}	F _{10.4}	N _{10.15}	V _{10.3}	(W)	(X)	
			0.381 - 42.47		12066269	B4	-	M3617336	0.5-0.35	21	2.2-1.3	101	2.4±0.2	3.8±0.2	2.8	8.7	3.1	2.4	
			0.381 - 42.47		12052827	E4	-	M3617336	3	12	3.2-3.04	103	4.6	6	2.4	8.7	4.6	4.2	
			0.381 - 42.47		12033820	F4	-	M3617336	5 - 3	11	5.24-3.49	103	4.6	7.6	2.4	8.6	5.6	4.6	
			0.381 - 42.47		12020784	E3	-	M3617336	TWO 0.35	222	2-1.35	101	3.6±0.2	5.3	2.8	8.7	-	-	
			0.381 - 42.47		12020783	D	- OBSOLETE	F1403336	0.35	22	2-1.35	101	2.2±0.2	3.6	2.8	-	-	-	
			0.381 - 42.47		12020123	B	- OBSOLETE	F1403336	TWO 3	212	4.67-3.49	102	6.6	8.6	2.8	-	-	-	
			0.381 - 42.47		12020122	C	- OBSOLETE	F1403336	TWO 1	216	2.68-2.48	102	6.6	7.6	2.8	-	-	-	
			0.381 - 42.47		12020121	C	- OBSOLETE	F1403336	5 - 3	11	5.24-3.49	103	4.6	7.6	2.4	-	-	-	
			0.381 - 42.47		12020120	D4	- OBSOLETE	F1403336	2 - 1	15	3.97-2.48	102	3.7	6	2.8	8.7	4.3	3.4	
12020392	B	- OBSOLETE	0.381 - 42.47	PM001403 336	12020119	G4	-	M3617336	0.8-0.5	19	3.12-2.03	101	3.2	5	2.8	8.7	3.5	2.8	
12020393	E	- OBSOLETE	0.381 - 42.47	PM001403 336															

SYMBOL DEFINITION		MISSING NUMBERS	
THE NUMBER INSIDE THE SYMBOL () CORRESPONDS TO THE NUMBER ON THE INSPECTION REPORT FOR THIS DRAWING/PART NUMBER	TOTAL NO. OF SYMBOLS ON DRAWING	24	
	LAST NO. USED	44	

DWG STATUS				REVISION HISTORY				AUTH		DR		AP/VD	
DATE	STG	REV	N/P	CHG	ZONE	DESCRIPTION	DATE	BY	DATE	BY	DATE	BY	
29MR00	R	01	-	-		ALL ACTIVE PARTS - WAS SEPARATE DWGS, 3.82 ± 0.18/±0.1 WAS 3.82 ± 0.1, ADDED 24.75 ± 0.35, REMOVED 33.4 REF, REVISED V, N & 1.6 ± 0.3 DIM; 12020784 - REVISED E TOL	196857	6E0	27JN00	RCH	JH		
10MY01	R	02	-	-		ALL ACTIVE PARTS - 2.6 ± 0.3 WAS 2 ± 0.3	209338	JYD	27JN00	JH			
21OC02	R	03	-	-		ALL ACTIVE PARTS - MAT'L SPEC WAS P3607336, ADDED 4.04 ± 0.7-2.69 & NOTE	231661	EAR	27JN00	JH			
21OC02	R	04	-	-		ALL ACTIVE PARTS - 3.2B ± 0.1-1.93 WAS 4.04 ± 0.7-2.69	232037	EAR	27JN00	JH			
09DE03	R	05	-	-		ALL ACTIVE PARTS - RENEWED REV 02 STATUS	248617	MJM	27JN00	BO			
19AP07	R	06	-	-		ALL ACTIVE PARTS - ADDED CRIMP WING VIEWS AND UPDATED MAT'L SPEC	400958	END	27JN00	BDG			

DWG TYPE: PART DRAWING

STYLE: D

VOLUME 10/11

DISTR CODE: D

UNLESS OTHERWISE SPECIFIED: DIMENSIONS ARE TO FACE OF VIEW SHOWN AND AUTOMATICALLY ROUNDED BY COMPUTER FOR INSPECTION (SEE MATH MODEL FOR PRECISE DIMENSIONS). FOR ALL OTHER DIMENSIONS NOT SHOWN BUT REQUIRED FOR TOOL BUILD, SEE MATH MODEL FOR PRECISE TOOL PATH DATA.

ALL DIMENSIONS ARE IN MILLIMETERS

THIRD ANGLE PROJECTION

DO NOT SCALE

USE MATH DATA

DELPHI

DELPHI PACKARD ELECTRICAL/ELECTRONIC ARCHITECTURE

DATE: 27JN00

DR: G. ESTRADA

AP/VD: R. CHACON

AP/VD: J. HORIUCHI

DRAWING NAME: TAXI TERM M/M/P 480 TANG

DRAWING NUMBER: 12020118

SIZE: 10:1

SCALE: 1 OF 1

FRAME NO: 1

SHEET NO: 1 OF 2

REV: R 06