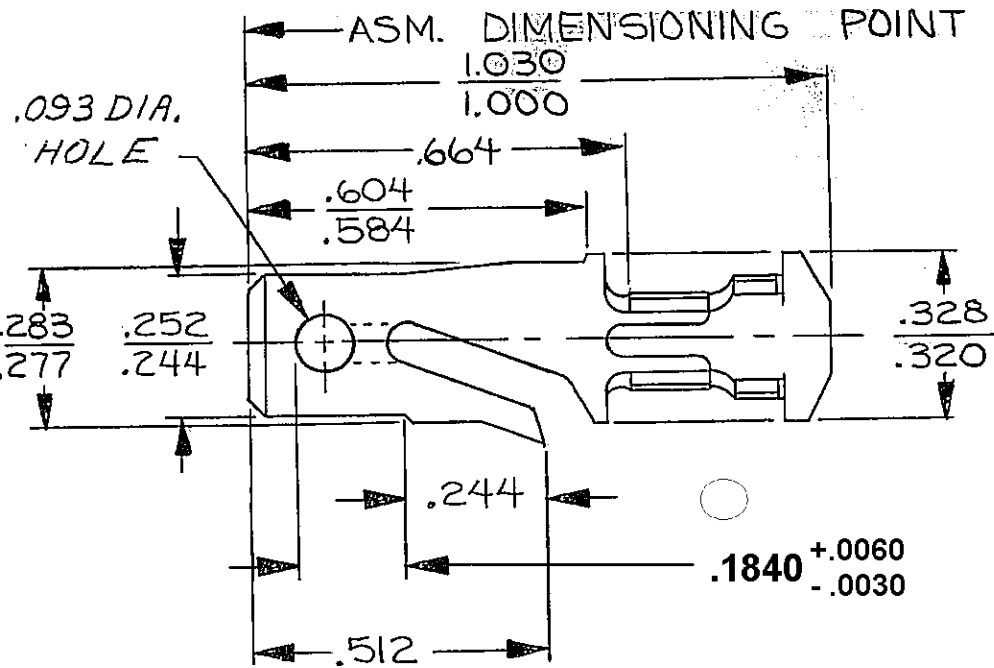


D

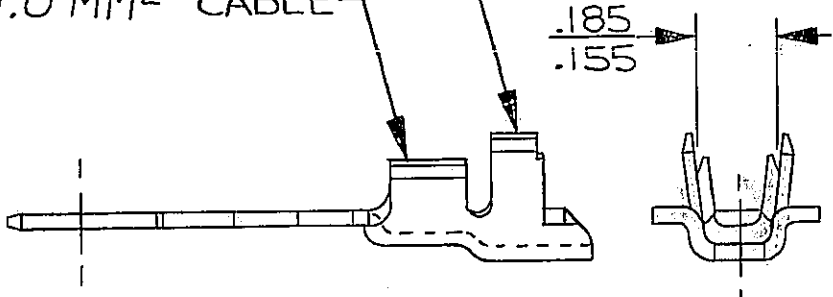
THIS DRAWING AND DESIGN HEREON CONSTITUTES A PROPRIETARY DESIGN OF PACKARD ELECTRIC DIVISION AND IS NOT TO BE DUPLICATED OR REPRODUCED WITHOUT AUTHORITY OF PACKARD ELECTRIC DIVISION.

DO NOT SCALE



INSULATION WINGS FOR 3.97 MM MAX. INSUL. DIA.

CONDUCTOR WINGS FOR 2.0-1.0 MM² CABLE



C02D2142

DRAWING NO. 1201 0106

| DATE | SYM. | REVISION RECORD | AUTH | DR. | CK. |
|--------|------|---|--------|------|-----|
| 30C78 | A. | RELEASED | 68005 | PRW | JM |
| 045E79 | - | CABLE REVISED TO METRIC | 70645 | RAP | JS |
| 015E82 | - | PICTURE REVISED | 82155 | T.W. | JM |
| 01AU83 | B | REV. SYM. ADVANCED | 86126 | MS | JM |
| 05DE05 | B4 | ADDED DIM .1840 +.0060/-.0030 AND REMOVED DIM (1 PLC) | 274727 | CCV | JVM |

P.N.C. CODE

| | |
|----------------------------|---|
| CODE NO. 6900 | TOLERANCE UNLESS OTHERWISE SPECIFIED DECIMAL THREE PLACE ± .005 ANGULAR ± 2° TWO PLACE ± .01 |
| QC | |
| DWG. DATE 130C78 | SCALE NONE |
| EST. NO. | DR. Robert R Williams 160C78 |
| REFERENCE NO. | CK. J. Mudrey DATE 160C78 |
| 2962874 "D" SIZE - SHT. #1 | APPR. J. Miller DATE 160C78 |

MATERIAL SPEC. .0320 THK. SAE CA 260 BRASS - 1/2 HARD - TIN PLATED
NAME TERMINAL - MALE - '56 SERIES

PART NO. 1201 0106
OUTLINE DRAWING

SIZE A

PACKARD ELECTRIC

PACKARD ELECTRIC DIVISION
GENERAL MOTORS CORPORATION
WARREN, OHIO

199
- 0 -
63R
74R
330R
350R
PEB-A
900R
952R
1174R
1374R
1146
2400 R

122