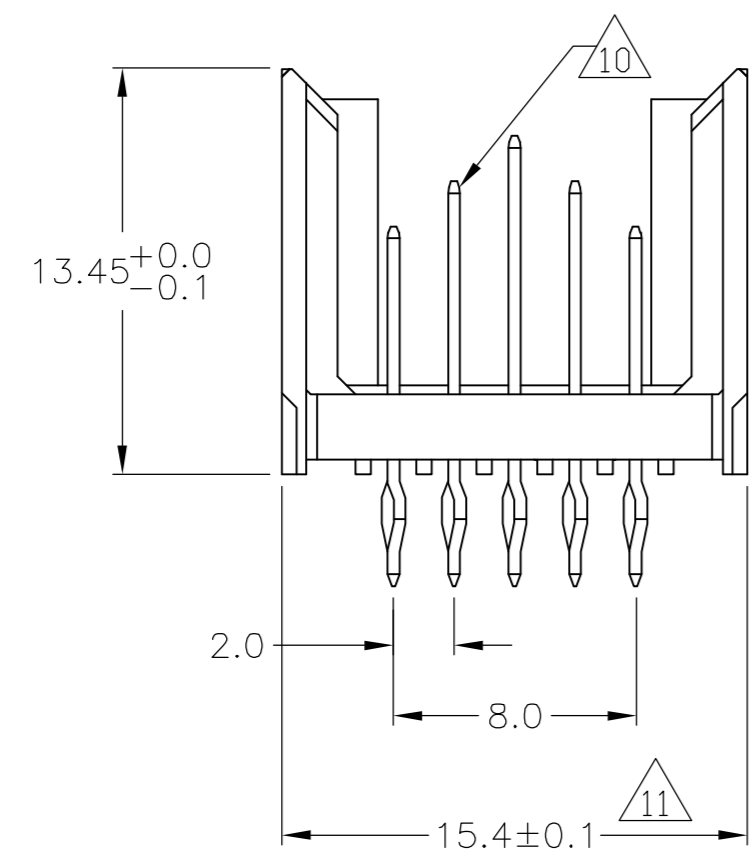
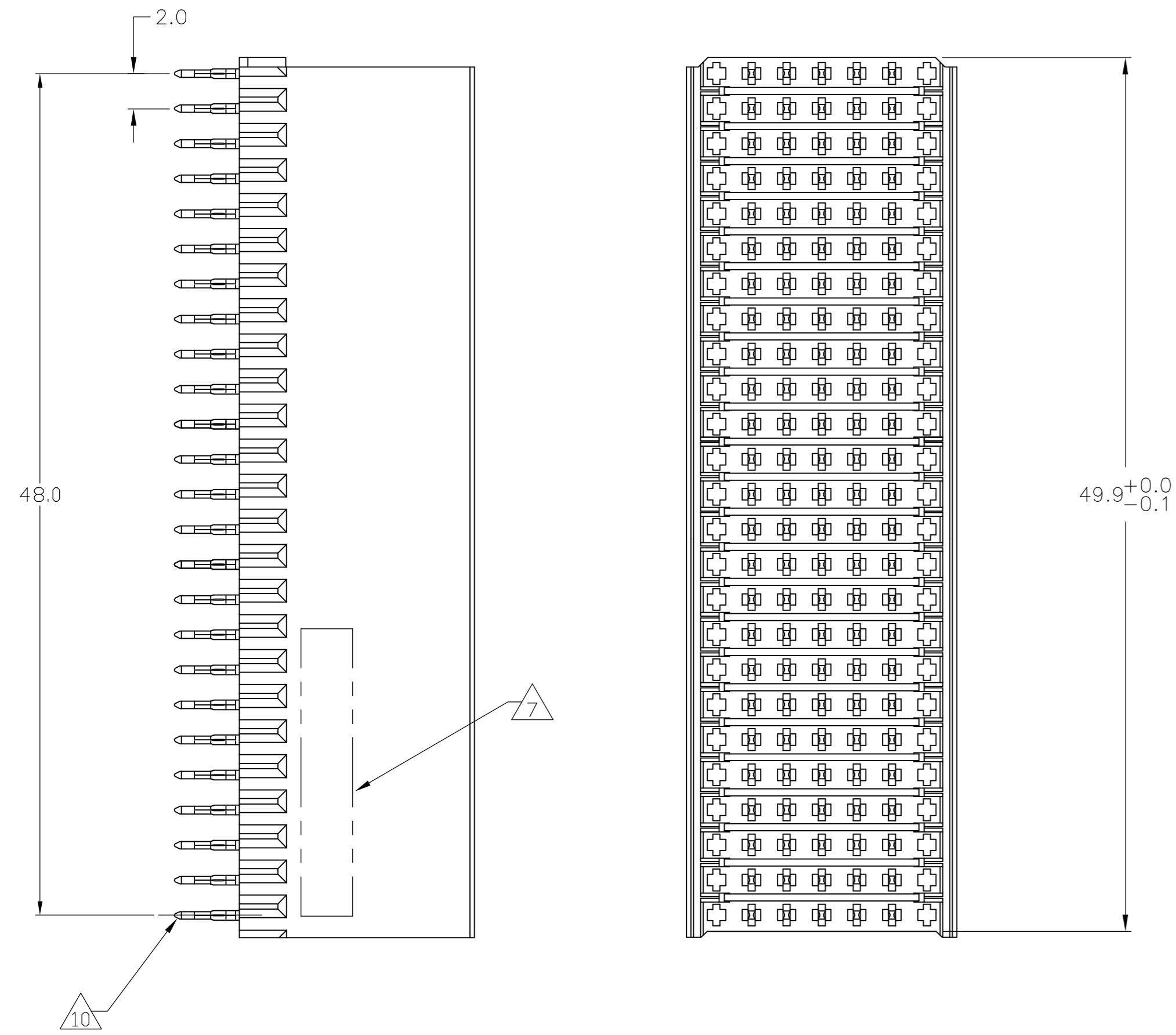
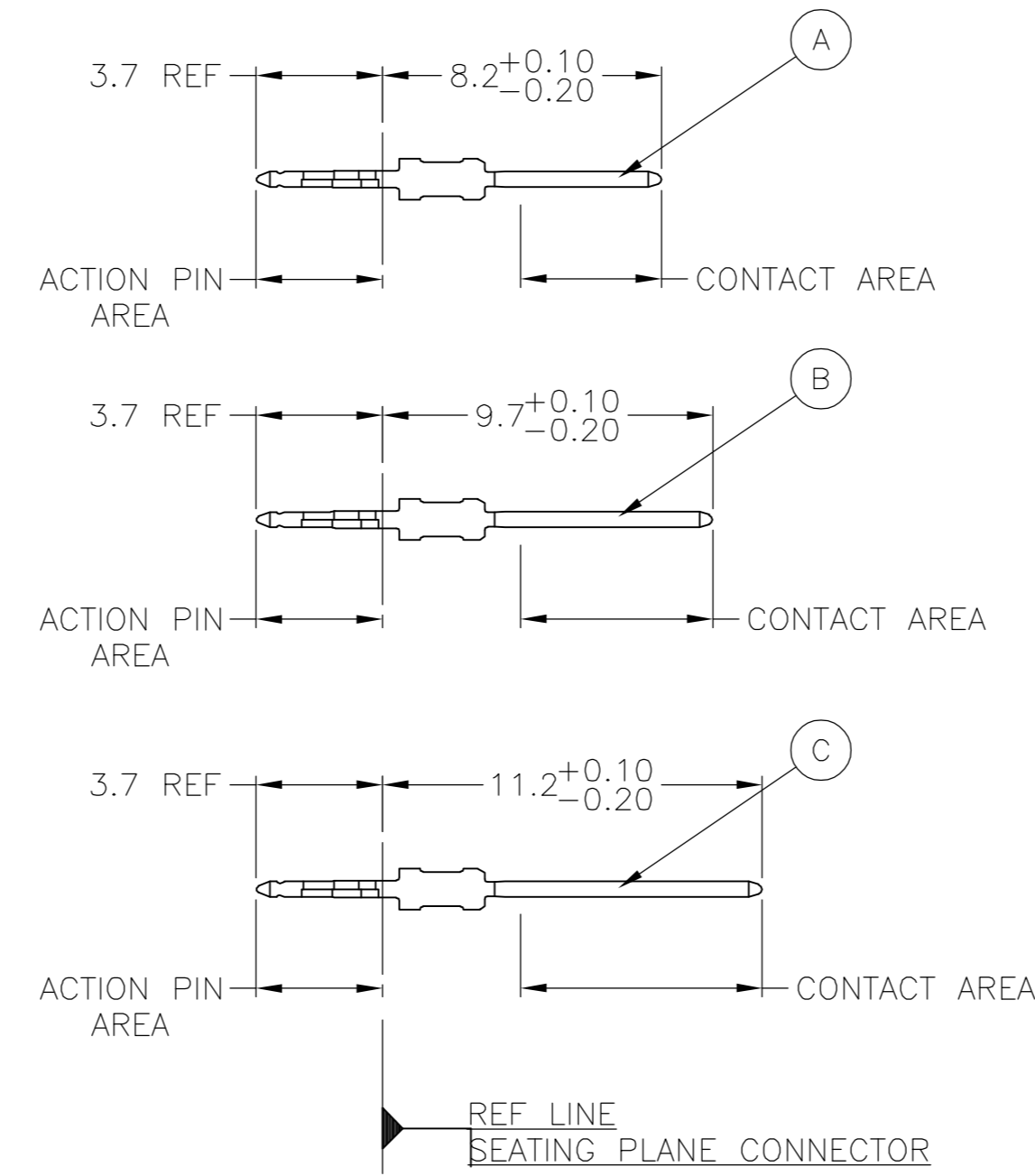


CONNECTOR ASSEMBLY EXAMPLARY LOADED $\triangle 9$



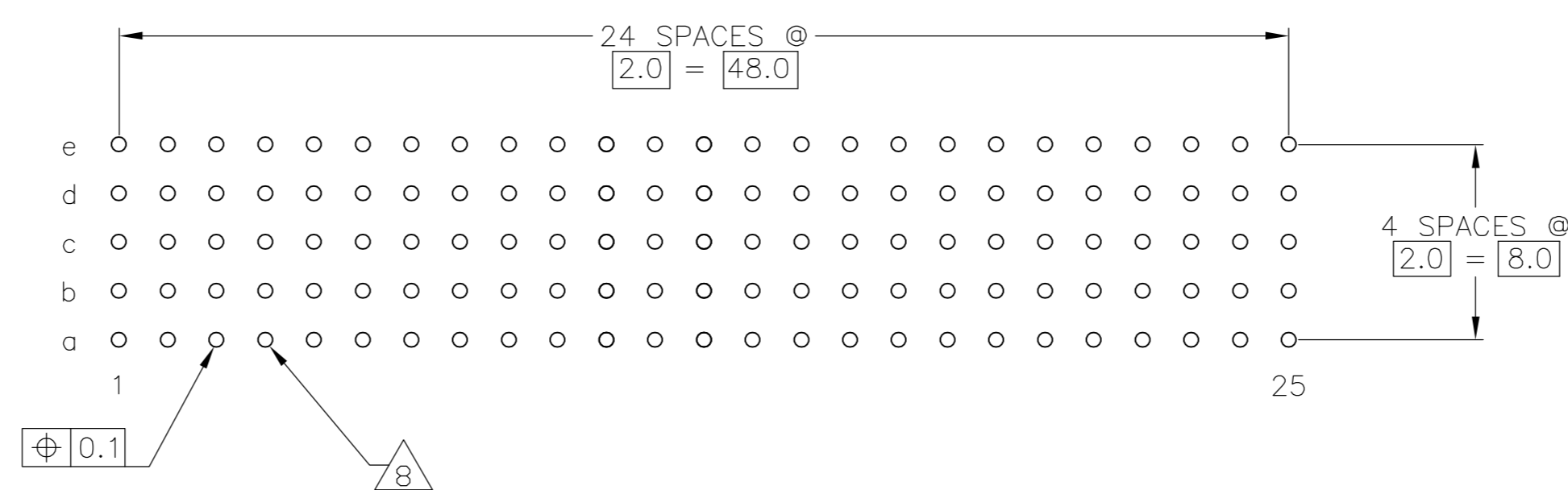
CONTACT DIMENSIONS SCALE 5:1



CONTACT LAYOUT

	z	a	b	c	d	e	f
1		A	B	C	B	A	
2		A	B	C	B	A	
3		A	B	C	B	A	
4		A	B	C	B	A	
5		A	B	C	B	A	
6		A	B	C	B	A	
7		A	B	C	B	A	
8		A	B	C	B	A	
9		A	B	C	B	A	
10		A	B	C	B	A	
11		A	B	C	B	A	
12		A	B	C	B	A	
13		A	B	C	B	A	
14		A	B	C	B	A	
15		A	B	C	B	A	
16		A	B	C	B	A	
17		A	B	C	B	A	
18		A	B	C	B	A	
19		A	B	C	B	A	
20		A	B	C	B	A	
21		A	B	C	B	A	
22		A	B	C	B	A	
23		A	B	C	B	A	
24		A	B	C	B	A	
25		A	B	C	B	A	

RECOMMENDED PCB-HOLE LAYOUT COMPONENT SIDE SHOWN



PLATED THRU HOLES PARAMETERS

REFERENCE APPLICATION SPECIFICATION

$\triangle 2$	$\triangle 6$	$\triangle 12$	1-106414-9
$\triangle 2$	$\triangle 5$	$\triangle 12$	106414-9
$\triangle 2$	$\triangle 4$		106414-4
$\triangle 2$	$\triangle 3$		106414-1
FINISH		PART NUMBER	

THIS DRAWING IS A CONTROLLED DOCUMENT.

DIMENSIONS:	TOLERANCES UNLESS OTHERWISE SPECIFIED:	DWN: B. CARBO	21APR05		Tyco Electronics Corporation
mm	0 PLC ± - 1 PLC ± 0.1 2 PLC ± - 3 PLC ± - 4 PLC ± - ANGLES ± -	CHK: G. SKIPPER	21APR05		Harrisburg, Pa 17105-3608
MATERIAL: $\triangle 1$		FINISH: SEE TABLE	WEIGHT: -	SIZE: A1	CAGE CODE: 00779
CUSTOMER DRAWING		SCALE: 4:1	SHEET: 1 OF 2	REV: F	RESTRICTED TO: -

LOC	DIST	REVISIONS			
		REV	DESCRIPTION	DATE	BY
AD	00	-	SEE SHEET 1	-	-

- 1 MATERIAL:
CONTACT: PHOSPHOR BRONZE.
HOUSING: GLASS-FILLED POLYESTER.
- 2 GENERAL PLATING SPECIFICATION: UNDERPLATING
(ENTIRE CONTACT): 1.27µm MIN NICKEL AND ACTION
PIN: 0.5µm MIN TIN/LEAD.
FOR PLATING OF MATING SURFACES SEE APPLICABLE
SPECIFICATION REFERENCE FOR EACH DASH NUMBER.
- 3 CONFORMS TO ALL TESTING ACCORDING TO IEC 61076-4-101
PERFORMANCE LEVEL 2.
- 4 CONFORMS TO ALL TESTING ACCORDING TO IEC 61076-4-101
PERFORMANCE LEVEL 1.
- 5 CONNECTOR TESTED AND QUALIFIED AGAINST TELCORDIA GR-1217-CORE QUALITY LEVEL 3,
CENTRAL OFFICE APPLICATIONS.
- 6 CONNECTOR TESTED AND QUALIFIED AGAINST TELCORDIA GR-1217-CORE QUALITY LEVEL 3,
UNCONTROLLED ENVIROMENT APPLICATIONS.
- 7 CONNECTOR MARKED WITH PART NUMBER AND DATE CODE.
ADDITIONAL CHARACTERS OR MARKINGS, AS WELL AS THE LOCATION OF THE MARKINGS,
MAY BE ADDED FOR TRACEABILITY BASED UPON MANUFACTURERS DISCRETION.
- 8 PLATED-THROUGH HOLES AT 2x2mm SQUARE GRID
PATTERN DEFINED BY CONTACT LAYOUT.
- 9 FOR ACTUAL PIN LOADING SEE "CONTACT LAYOUT".
- 10 FOR ACTUAL PIN DIMENSIONS SEE "CONTACT DIMENSIONS".
- 11 TO BE MEASURED AT BOTTOM OF SHROUD.
- 12 CONNECTOR LUBRICATED WITH BELCORE APPROVED LUBRICANT,
TECHNICAL REFERENCE: TR-NWT-001217 ISSUE 1, SEP 1992.

THIS DRAWING IS A CONTROLLED DOCUMENT.		DIN B CARBO	21APROS	tyco Electronics	Tyco Electronics Corporation Harrisburg, Pa 17105-3608	
DIMENSIONS: mm		CHK G SKIPPER	21APROS		NAME MALE ASSEMBLY, Z-PACK 2mm HM, TYPE B	
TOLERANCES UNLESS OTHERWISE SPECIFIED:		APPD G SKIPPER	21APROS	PRODUCT SPEC 108-19082		
0 PLC ± -		APPLICATION SPEC 114-19029		SIZE A1		
1 PLC ± 0.1		RESTRICTED TO		CAGE CODE 00779		
2 PLC ± -		DRAWING NO 106414		SCALE 4:1		
3 PLC ± -		WEIGHT -		SHEET 2 OF 2		
4 PLC ± -		CUSTOMER DRAWING		REV F		
ANGLES ± ± -						
MATERIAL SEE SHEET 1		FINISH SEE SHEET 1				