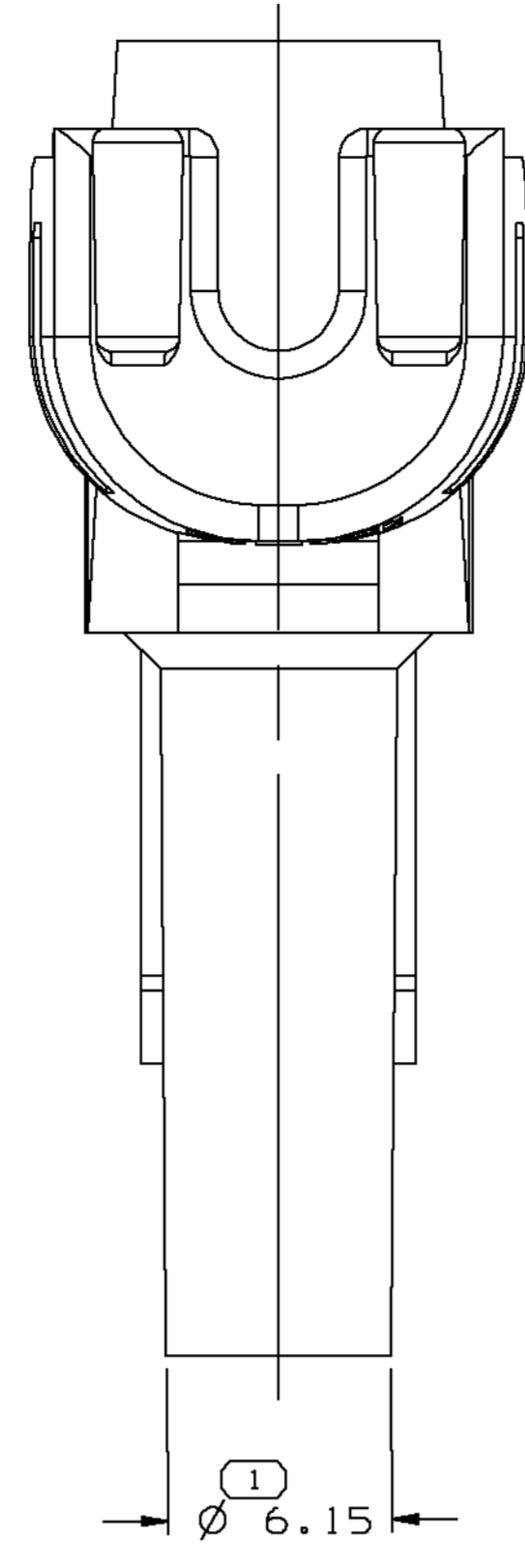


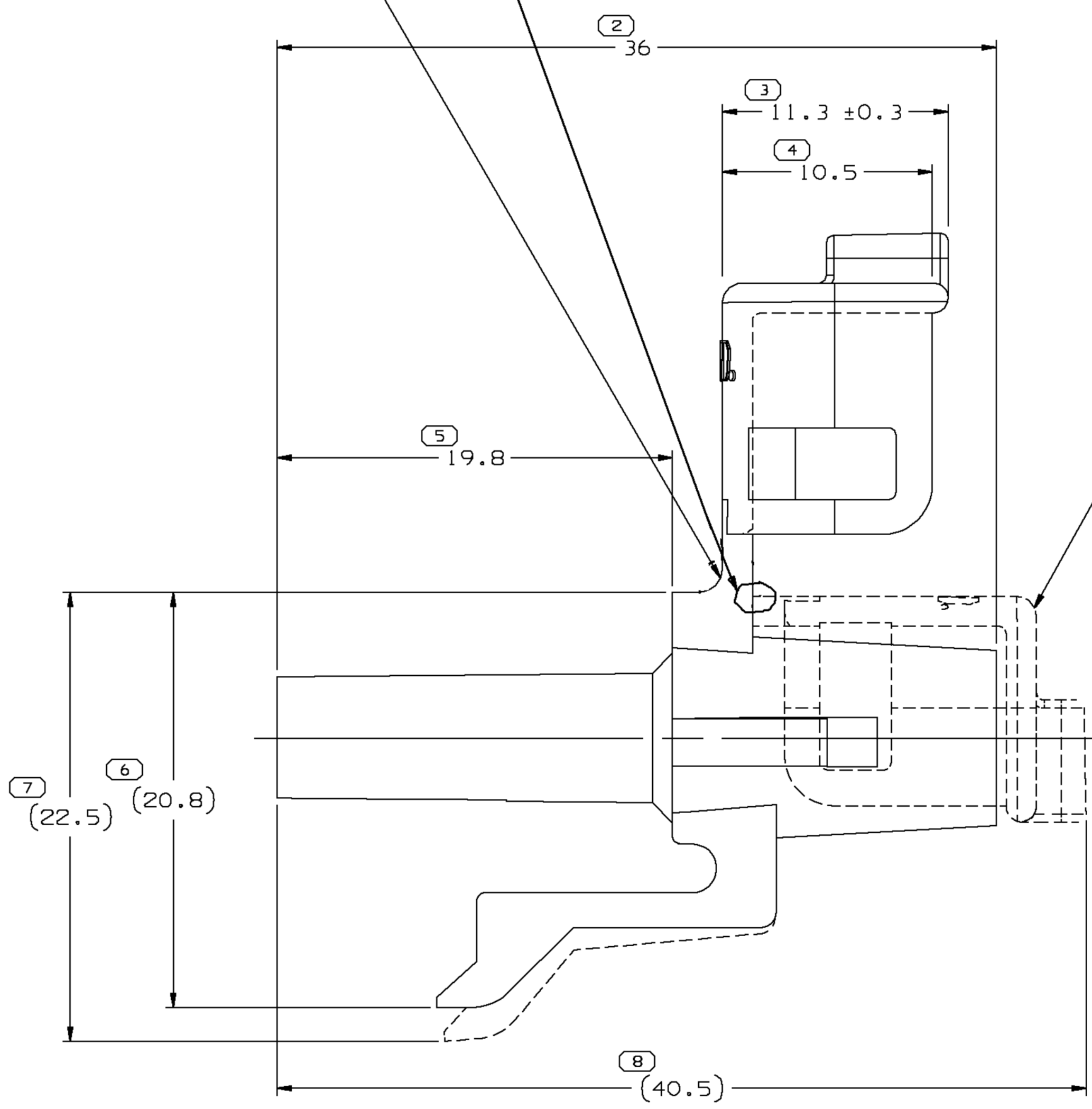
SYMBOL DEFINITION		MISSING NUMBERS	
THE NUMBER INSIDE THE SYMBOL CORRESPONDS TO THE NUMBER ON THE INSPECTION REPORT FOR THIS DRAWING/PART NUMBER	TOTAL NO. OF SYMBOLS ON DRAWING	12	
	LAST NO. USED	12	

DWG STATUS				REVISION HISTORY				AUTH				
DATE	STG	REV	CHK	N/P	ZONE	DATE	BY	APPV	DR	CK	APPV	
03JAO0	R	001	-	-					196808	DA	GMC	09
29JAO1	R	002	-	-		12015781	-	REVISED REV LEVEL	206441	ROT	RST	JA
15AU01	R	003	-	-				NFO's NOTE ADDED				213320

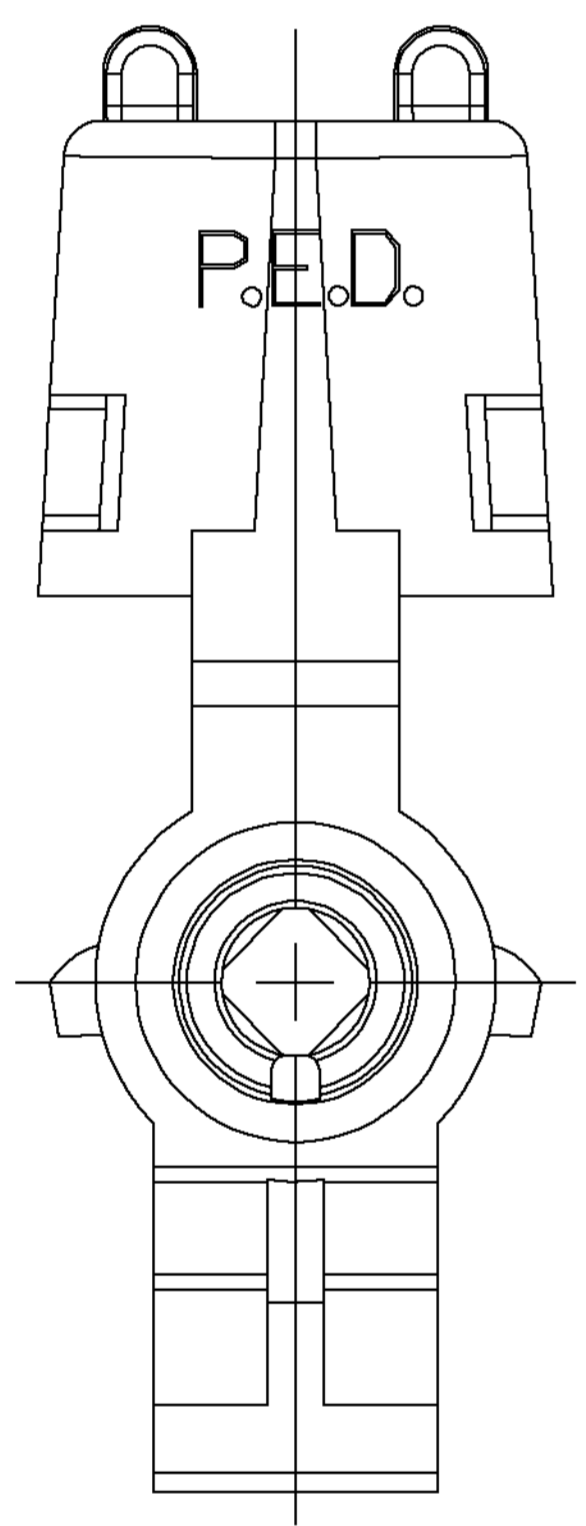


NFOs PERMITTED IN THIS AREA (HINGE WEB)

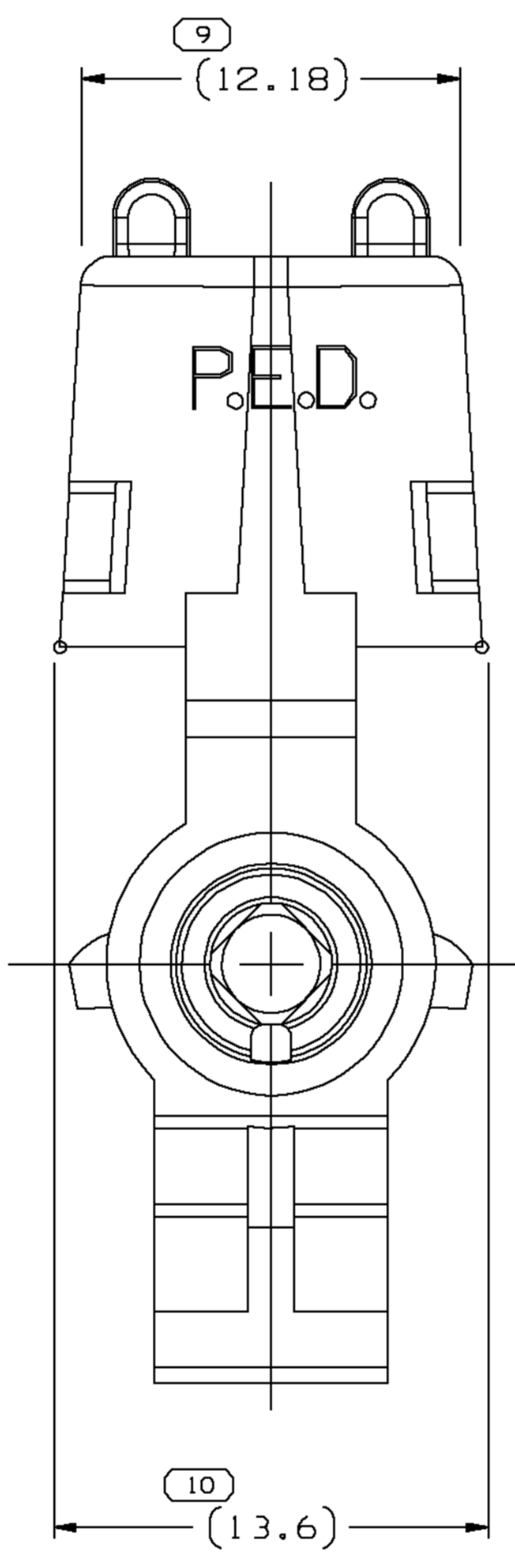
11 FLEX AREA MAY EXHIBIT MATERIAL SEPARATION AFTER FINAL ASSEMBLY



12 TERMINAL LOCK TO BE FOLDED DOWN AS SHOWN AFTER TERMINAL HAS BEEN INSERTED.



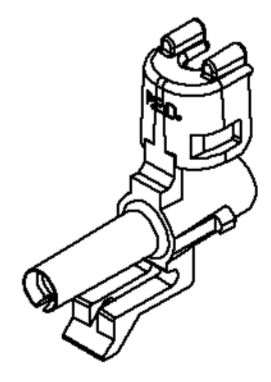
TYPE 102  
SAME AS TYPE 101  
EXCEPT AS SHOWN  
CAVITY BLOCKED



TYPE 101

**TEMPORARY PRODUCTION PRINT  
SEE ROUTING DISTRIBUTION FOR  
APPROVALS**

**213320**



PART NO	STG	REV	N/P	STATUS	MATERIAL SPECIFICATION AND COLOR	TYPE	STANDARD DESCRIPTION	MATING CONNECTOR	APPLICATION	REF: TERMINAL/GENDER	ASSEMBLY PART NUMBER(S)	VOLUME CM <sup>3</sup>	DIMENSIONS ENCLOSED IN ( ) INDICATE REFERENCE DIMENSIONS AND NO TOLERANCE LIMITS ARE ESTABLISHED
12129335	R	A	-	OBSOLETE	RO071769 PA66 HS IM-GRN LT	101	CONN IF+W/P TWR	120H0996	IN-LINE	12089188/FEMALE	12124248	1.990	
12089583	R	B1	-	OBSOLETE	RO071791 PA66 HS IM-BRN	102	CONN IF W/P+TWR PLUGGED	120H0996	BLOCK-OFF	NONE	12047673	1.998	
12077614	R	B1	-	OBSOLETE	RO064366 PA6-GRN MD	101	CONN IF+W/P TWR	12020803	IN-LINE	12089188/FEMALE	12077615	1.990	
12041386	R	B	-	OBSOLETE	RO064438 PA6-YEL	101	CONN IF W/P TWR SLD		IN-LINE SIR	12089188/FEMALE	12041387	1.990	
12015781	R	003	-		RO067547 PA6-BLK	101	CONN IF W/P TWR SLD	120H0996	IN-LINE	12089188/FEMALE	12015791	1.990	( ) PROCESS SENSITIVE DIMENSION

<b>DELPHI</b> Automotive Systems	
MATERIAL SPEC SWW DWG	
SUBSTANCES OF CONCERN AND RECYCLED CONTENT PER DELPHI-A 10949001	
PART DRAWING	
CODE NUMBER 6900,6901	DWG DATE 07SEB3
DC SPEC	SCALE 5:1
	VOLUME cm <sup>3</sup> SEE DWG
PART GEOMETRY 3D SOLID	
UNLESS OTHERWISE SPECIFIED: THIS DOCUMENT IS IN ACCORDANCE WITH ASME Y14.5M - 1994 AS AMENDED BY THE GM GLOBAL DIMENSIONING AND TOLERANCING ADDENDUM - 1997. ALL GEOMETRIC TOLERANCES AND RELATED DATUMS APPLY RFS. RULE #1 (PERFECT FORM AT MMC) DOES NOT APPLY WHEN RELATIONSHIP BETWEEN FEATURES IS ESTABLISHED BY ORIENTATION OR LOCATION TOLERANCES. SEPARATE POSITION CALLOUTS MAY BE GAGED SEPARATELY REGARDLESS OF DATUM REFERENCES.	
CHANGE RESTRICTED NO MANUAL CHANGES	
COPY OF MATH DATA DO NOT SCALE	REFERENCE 001,701
	DR APVD1 D. ACEVEDO 03JAO0 APVD2 G. MACIAS 03JAO0 APVD3 D. GALLEGOS 02MRO0 APVD4 APVD5
METRIC UNLESS OTHERWISE SPECIFIED, ALL DIMENSIONS ARE IN MILLIMETERS	
THIRD ANGLE PROJECTION	DRAWING NAME TAXI CONN IF W/P TWR
SHEET NUMBER 1 OF 1	DRAWING NUMBER 12041402
DWG STATUS R 002	SIZE -