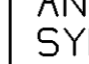
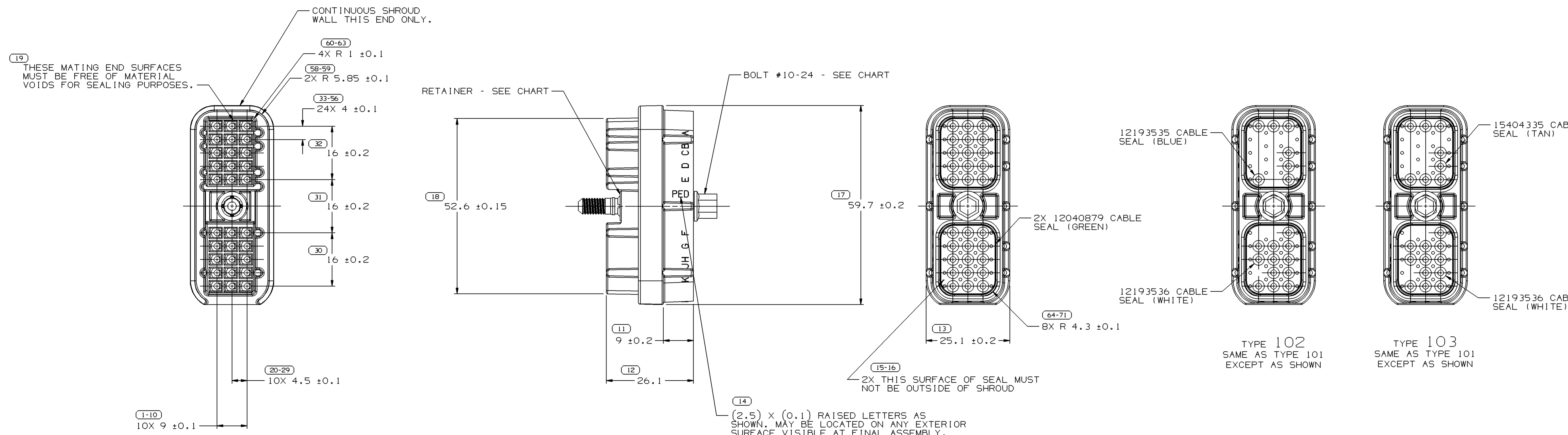
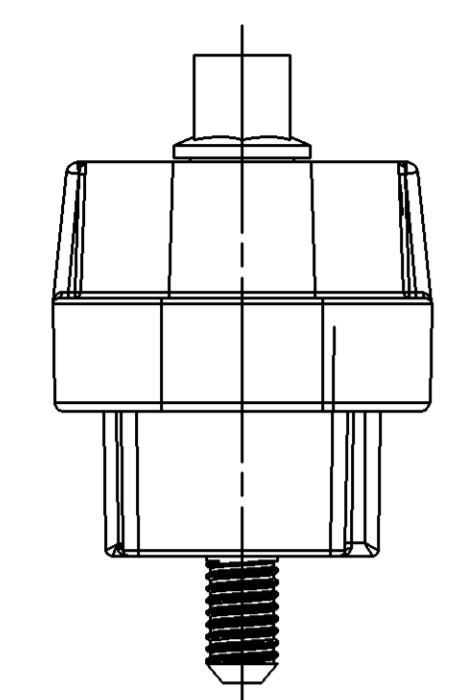
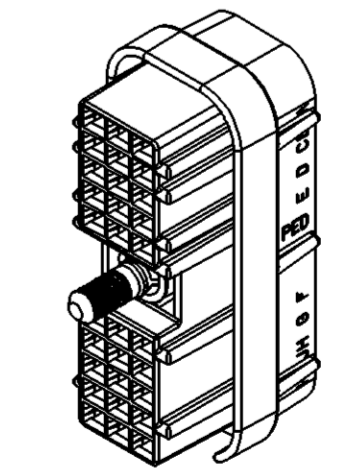


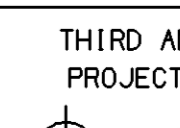
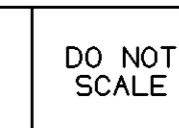
SYMBOL DEFINITION		MISSING NUMBERS		DWO STATUS		REVISION HISTORY		AUTH	DR	APVD1	APVD2
A DIMENSION WITHOUT AN INSPECTION REPORT SYMBOL  DOES NOT REQUIRE INSPECTION. IT MAY BE CONTROLLED ON AN INDIVIDUAL COMPONENT DRAWING.	TOTAL NO. OF SYMBOLS ON DRAWING	17	57,	DATE	STG	REV	N/P	CHG	ZONE		
	LAST NO. USED	71		15404336	-	RELEASED				000005	EOV
				12034398 & 12193537	-	WERE SEPARATE DRAWINGS				204920	EOV
				12193537 & 15404336	-	OBSOLETE AND ADDED NOTE 8				253207	ESH
				15492542 & 12034398	-	RELEASED; RESTRICTED				255769	6PS
				12034398 & 15492542	-	REMOVED LABEL FOR ASSEMBLY PART NUMBER CALLOUT				266520	JTV
				12034398	-	OBSOLETE				273752	CCV



- NOTES
- UNLESS OTHERWISE SPECIFIED AND/OR INDICATED: DIMENSIONS ARE TO FACE OF VIEW SHOWN AND AUTOMATICALLY ROUNDED BY COMPUTER FOR INSPECTION (SEE MATH MODEL FOR PRECISE DIMENSIONS). FOR ALL OTHER DIMENSIONS NOT SHOWN BUT REQUIRED FOR TOOL BUILD, SEE MATH MODEL FOR PRECISE TOOL PATH DATA.
 - SEALING CODE 3 - DESIGN WILL PASS SALT FOG AND IMMERSION TEST AFTER CONDITIONING AS SPECIFIED IN ESA-644 (WEATHER-PACK), ESA-710 (METRI-PACK), ESA-650 (UNDERHOOD MICRO-PACK), C-4006 (WORLD CONNECTOR), ETC WHEN MATED TO MATING PART OR EQUIVALENT
 - THIS PART IS NOT CONTROLLED FOR AUTOMATIC FEEDING.
 - REFERENCE MATING COMPONENTS OR EQUIVALENT: CONNECTOR 12034395 TERMINAL 12047680
 - BOLT TO BE RETAINED IN ASSEMBLY TO A MINIMUM 400 N.
 - RECOMMENDED MATING TORQUE: 0.8 N-M TO 1.5 N-M.
 - BOLT MUST ROTATE IN CONNECTOR AT A TORQUE OF LESS THAN 0.6 N-M (5.3 INCH-POUNDS) AFTER RETAINER IS ASSEMBLED.
 - OBSOLETE PART(S) CONTAINS A HEXAVALENT CHROME COATING. DO NOT USE THIS PART ON NEW APPLICATIONS. HEXAVALENT CHROME IS A BANNED SUBSTANCE. IF THIS PART IS REQUIRED FOR CURRENT OR FUTURE BUSINESS OR FOR SERVICE REQUIREMENTS, CONTACT THE PRODUCT LINE ENGINEER OR MATERIALS ENGINEERING TO GET A NEW PART THAT IS FREE FROM HEXAVALENT CHROME. EXISTING INVENTORY OF THIS PART MAY BE USED UNTIL JULY 1, 2007 FOR SERVICE REQUIREMENTS.



PART NO	REV	N/P	STATUS	TYPE	CONNECTOR BODY	BOLT	RETAINER	COLOR
15492542	01	AA	-	101	12034397	15492534	15492535	BLACK
15404336	01	AA	OBSOLETE	103	12034397	12034235	12034236	BLACK
12193537	A4	-	OBSOLETE	102	12034397	12034235	12034236	BLACK
12034398	C6	-	OBSOLETE	101	12034397	12034235	12034236	BLACK

DIMENSIONAL RANGE (MM)	CHART ET	THIRD ANGLE PROJECTION	DO NOT SCALE
FROM > 0	> 30		
TO > 20	> 70		
	> 100		
	> 150		
	> 200		
	> 250		
	> 300		
	> 400		

DELPHI

DELPHI PACKARD ELECTRIC SYSTEMS
WARREN, OH

DR	DATE
APVD1 E. VAZQUEZ	08DE00
APVD2 E. VAZQUEZ	08DE00
APVD3 J. REIDER	08DE00
APVD4	
APVD5	

THIS DOCUMENT IS IN ACCORDANCE WITH ASME Y14.5M-1994 AS AMENDED BY THE DIMENSIONING AND TOLERANCING ADDENDUM-2003. SEPARATE PATTERNING OF FEATURES MAY BE OBTAINED SEPARATELY. REWORK OF DATUM REFERENCES.

ALL DIMENSIONS ARE IN MILLIMETERS

UNLESS OTHERWISE SPECIFIED

REFERENCE

DRAWING NAME
TAXI ASM CONN 30 F M/P 150 SLD

DRAWING NUMBER
15404892

SIZE A0 SCALE 2:1 FRAME NO 1 OF 1 SHEET NO 1 OF 1 DATE 06