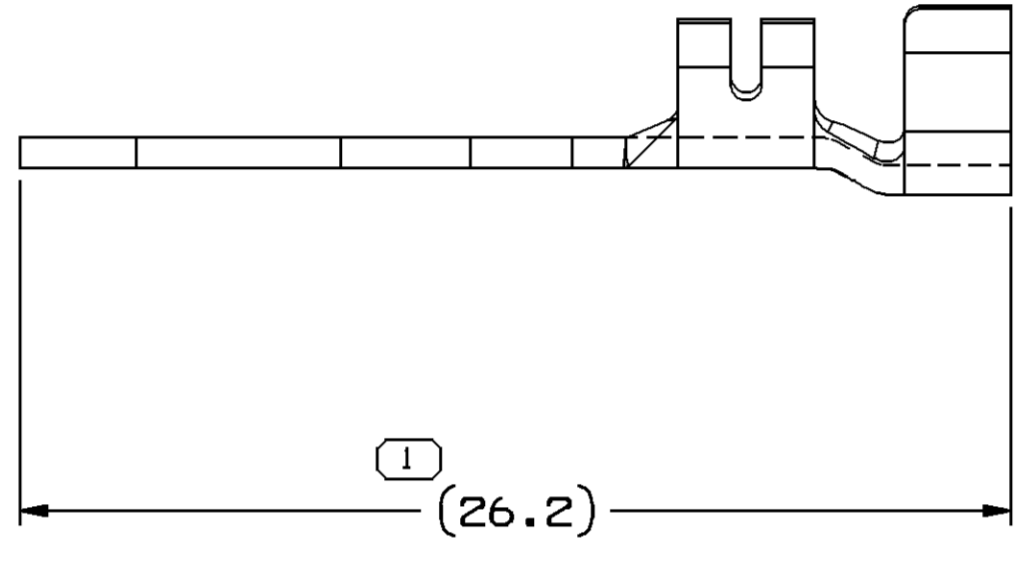
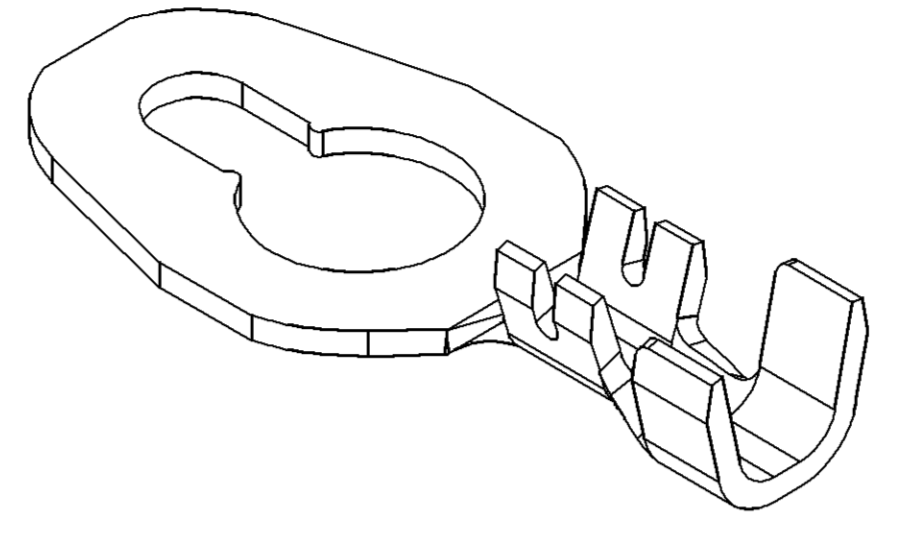
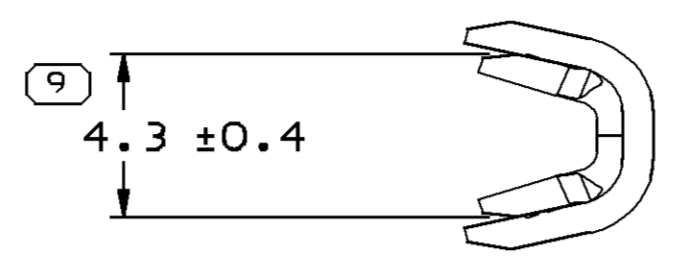
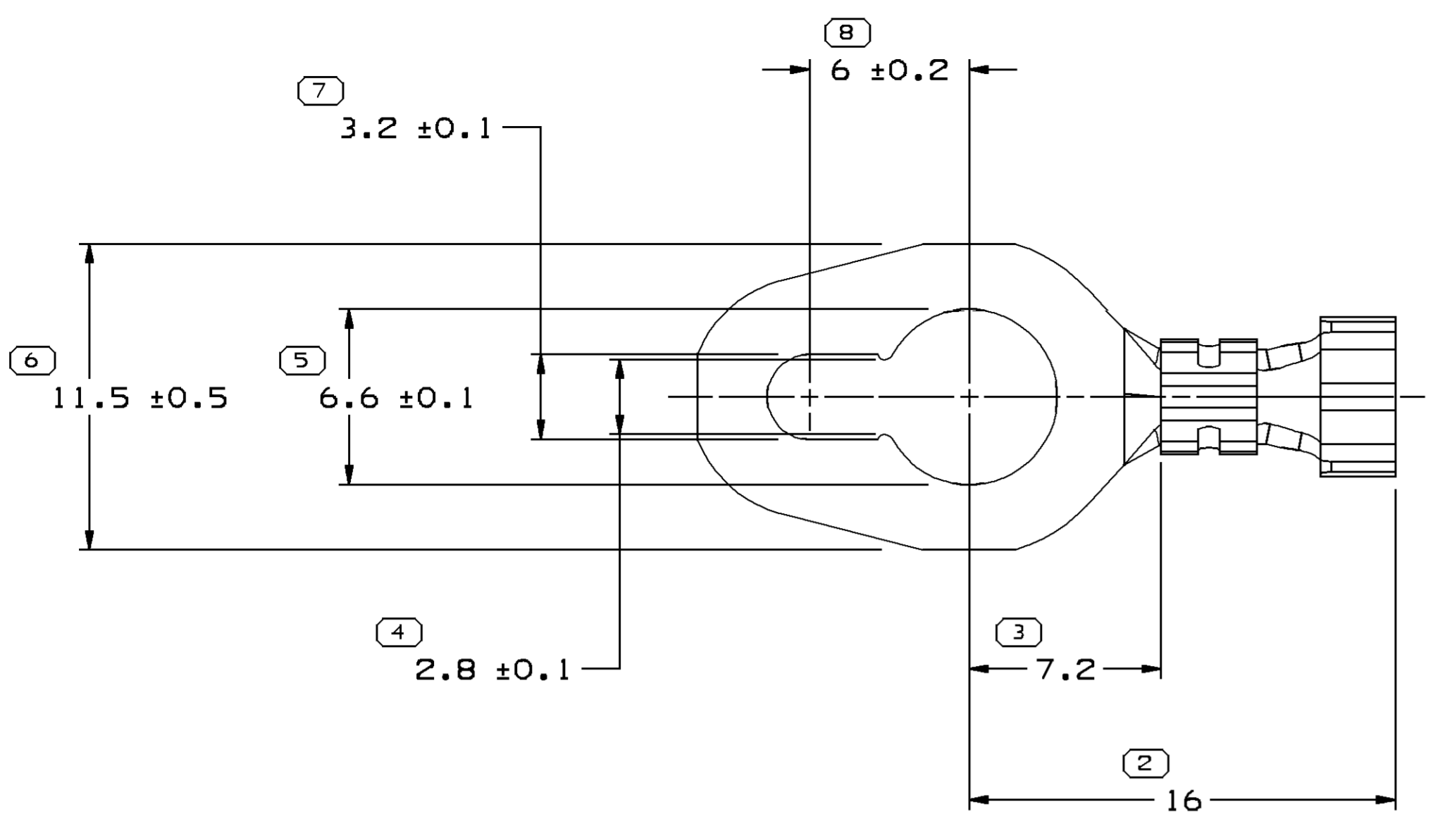
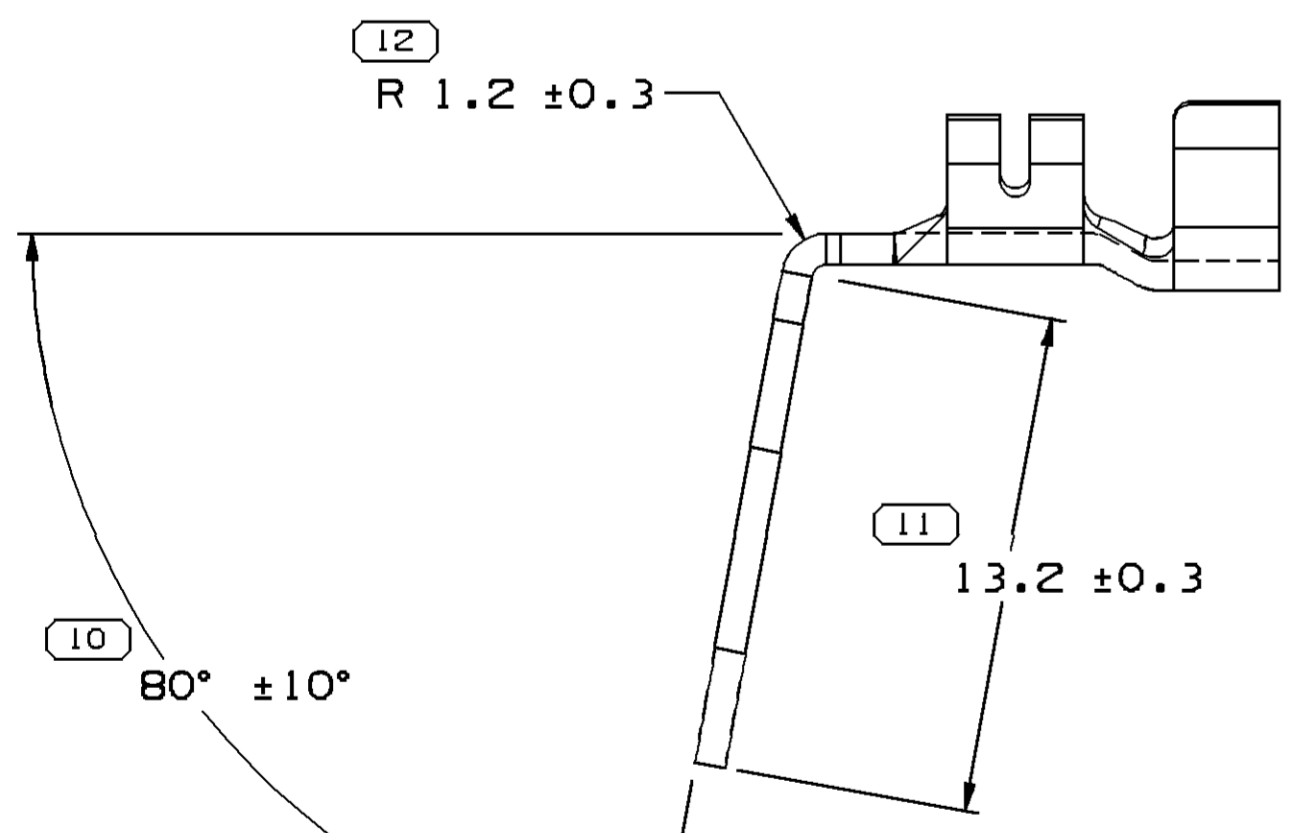


SYMBOL DEFINITION		MISSING SYMBOLS	
A DIMENSION WITHOUT AN INSPECTION REPORT SYMBOL DOES NOT REQUIRE INSPECTION. IT MAY BE CONTROLLED ON THE INDIVIDUAL COMPONENT DRAWING.	TOTAL NO OF INSPECTIONS REQUIRED	NO MISSING SYMBOL NUMBER	15
	LAST NO. USED		15

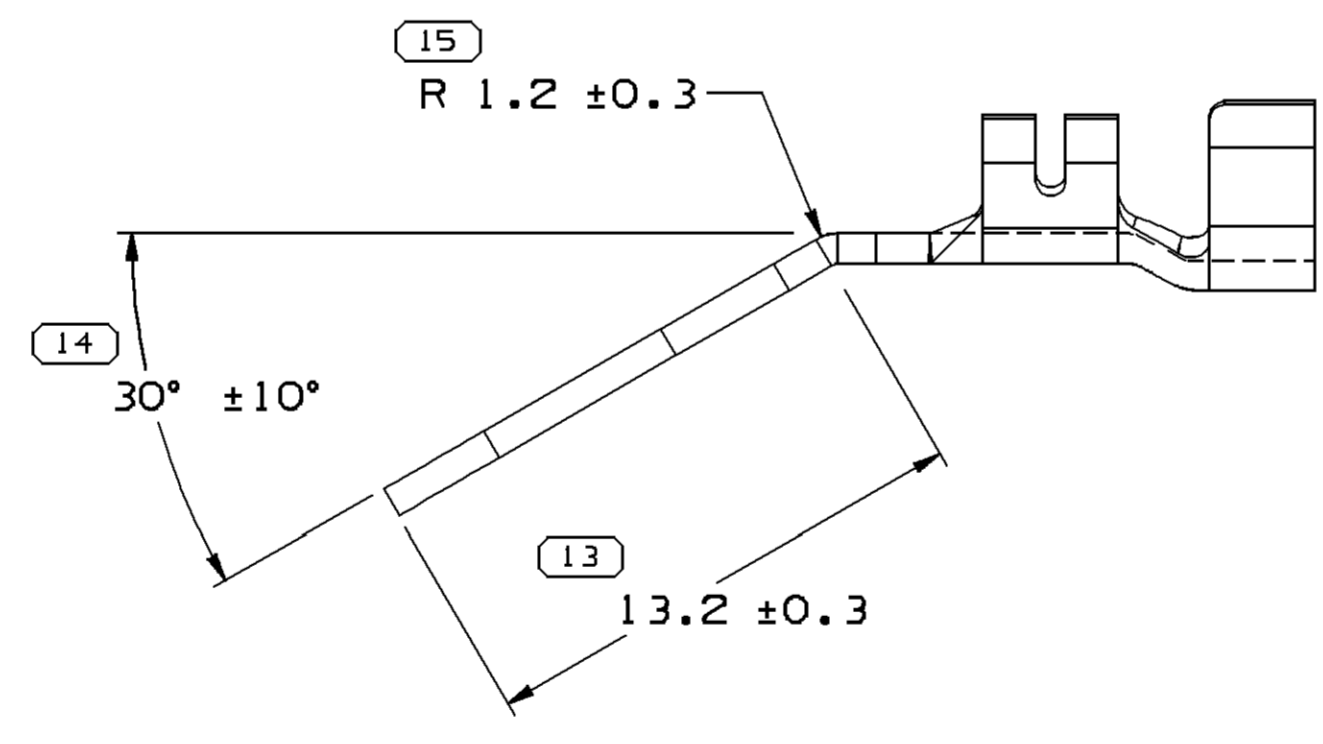
DWG STATUS				REVISION HISTORY				AUTH		DR		APVD	
DATE	STG	REV	N/P	CHG	ZONE	ALL PARTS - WERE SEPARATE DRAWINGS				252883	JVM	JVM	EH
18MR04	R	01	-	-		13599677 - RELEASED				284108	ACG	JAA	PYP



TYPE 101



TYPE 102
SAME AS TYPE 101
EXCEPT AS SHOWN



TYPE 103
SAME AS TYPE 101
EXCEPT AS SHOWN

NOTES

- UNLESS OTHERWISE SPECIFIED AND/OR INDICATED:
DIMENSIONS ARE TO FACE OF VIEW SHOWN AND AUTOMATICALLY ROUNDED BY COMPUTER FOR INSPECTION (SEE MATH MODEL FOR PRECISE DIMENSIONS). FOR ALL OTHER DIMENSIONS NOT SHOWN BUT REQUIRED FOR TOOL BUILD, SEE MATH MODEL FOR PRECISE TOOL PATH DATA.
- A 0.4 R IS PERMISSIBLE ON ALL SHARP CORNERS UNLESS OTHERWISE SPECIFIED.
- FOR 1 - 2 MM² CABLE (3.97 MAX. INSUL. DIA).
- TERMINALS 12084550 AND 13599677 ARE BENT IN THE CRIMP DIE AND IS ONLY AVAILABLE CRIMPED ON A LEAD.

PART NO	REV	N/P	STATUS	MAT'L SIZE	MAT'L SPEC	TYPE
13599677	01			12034222		103
12084550	A1			12034222		102
12034222	A1			0.813 X 26.19	M1573128	101

DIMENSIONAL RANGE (MM)		CHART	D
FROM	0		
TO	12		>12
TOLERANCE UNLESS OTHERWISE SPECIFIED			
	±0.1		±0.2
ANGULAR TOLERANCE ±2°			

DWG TYPE		PART DRAWING	
STYLE			
VOLUME (QTY)		DISTR CODE	
UNLESS OTHERWISE SPECIFIED			
THIS DOCUMENT IS IN ACCORDANCE WITH ASME Y14.5M-1994 AS AMENDED BY THE 3M GLOBAL DIMENSIONING AND TOLERANCING ADDENDUM-2001. SEPARATE PATTERNS OF FEATURES MAY BE OMBG SEPARATELY REGARDLESS OF DATUM REFERENCES.			
ALL DIMENSIONS ARE IN MILLIMETERS			
REFERENCE			
THIRD ANGLE PROJECTION		DO NOT SCALE	
USE MATH DATA		UNIGRAPHICS	

DELPHI
DELPHI PACKARD ELECTRIC SYSTEMS
WARREN, OH

DR	DATE
APVD1 J. VILLAMIL	18MR04
APVD2 J. VILLAMIL	18MR04
APVD3 E. HAROLDSON	19MR04
APVD4	
APVD5	

UNLESS OTHERWISE SPECIFIED
SUBSTANCES OF CONCERN AND RECYCLED CONTENT PER DELPHI 10949001

MATERIAL
SEE CHART

DRAWING NAME
TAXI TERM RING KEY SLOT

DRAWING NUMBER
12089043

SIZE	SCALE	FRAME NO	SHEET NO	STG	REV	N/P
A1	5:1	1 OF 1	1 OF 1	R	02	-