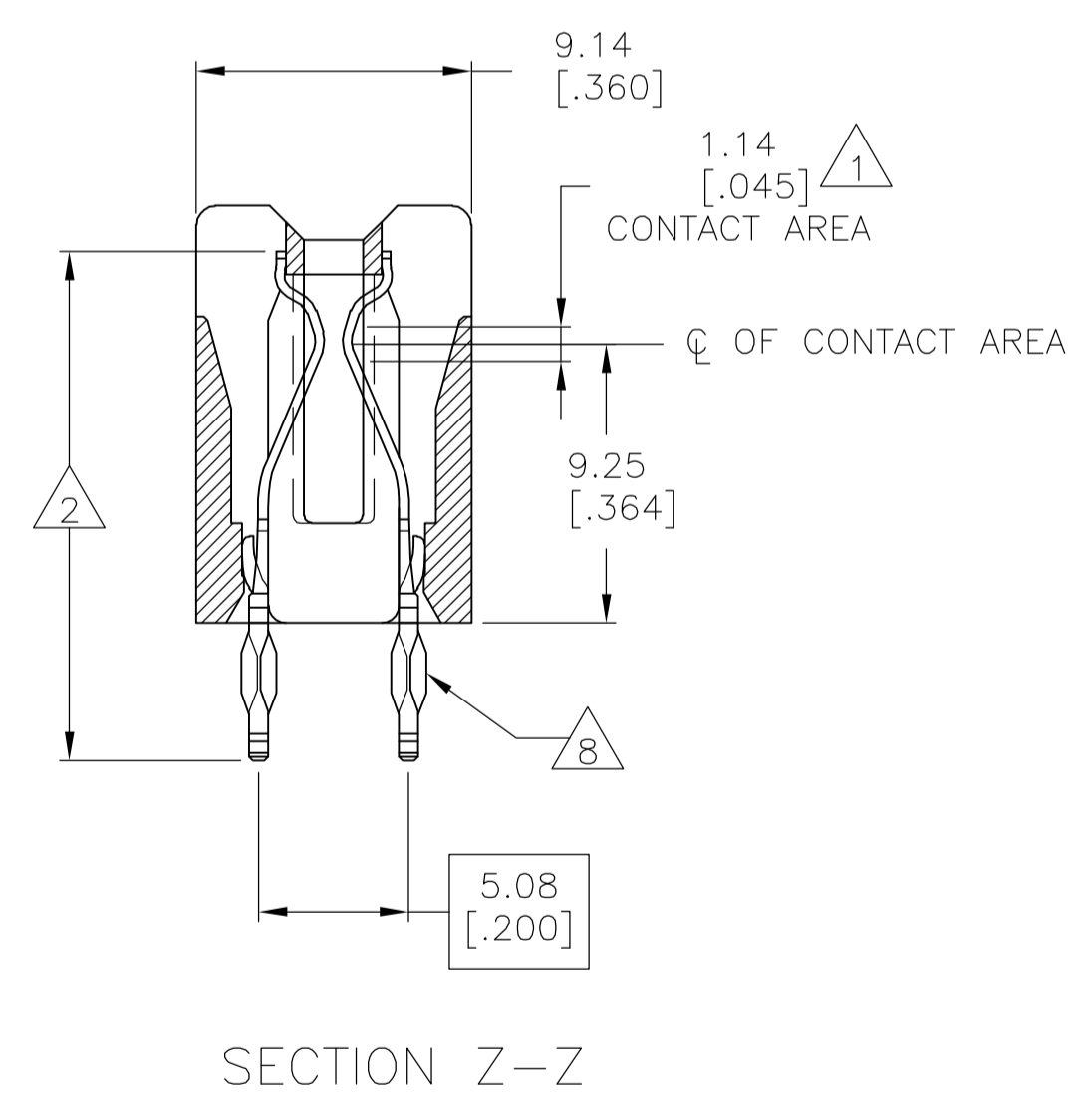
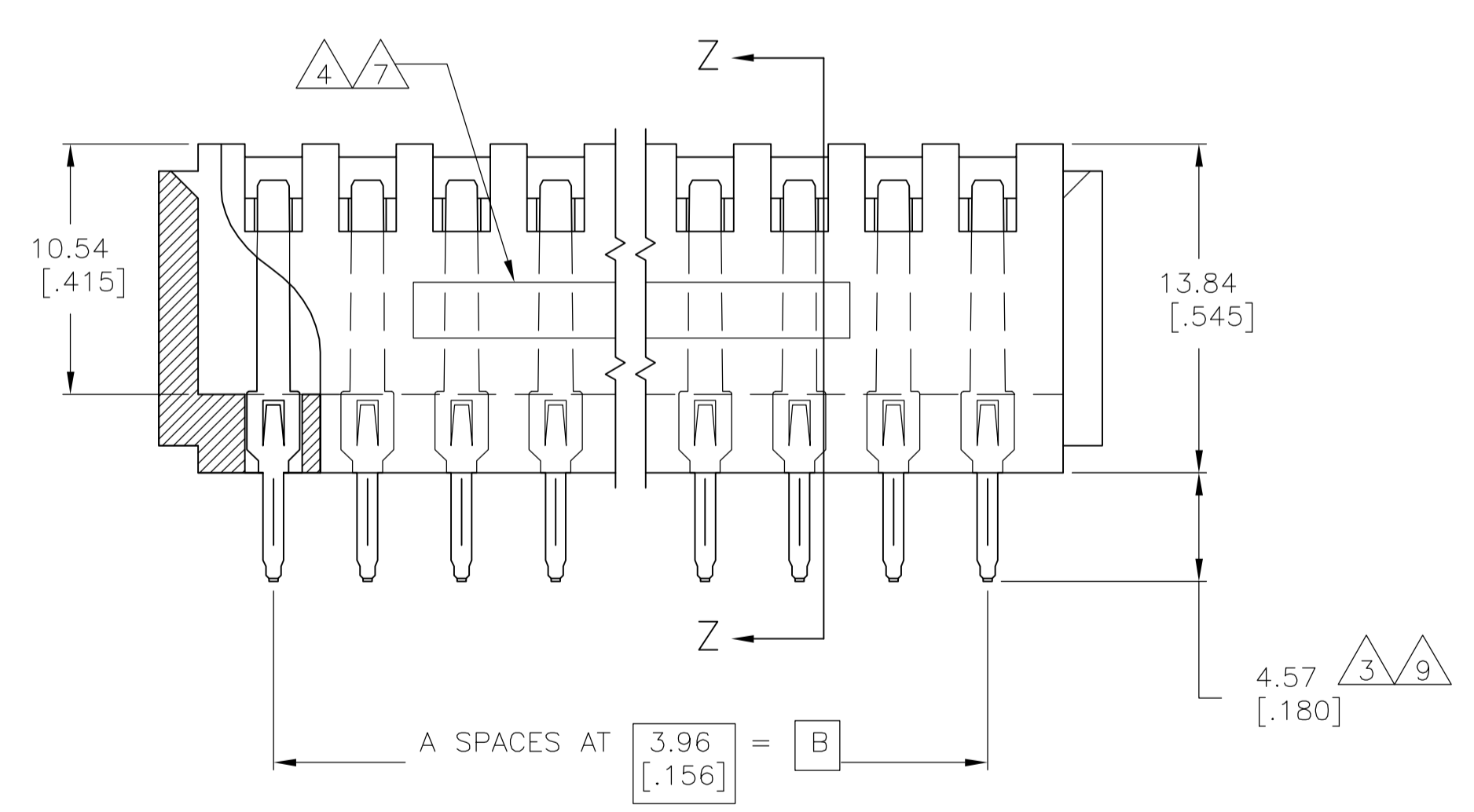
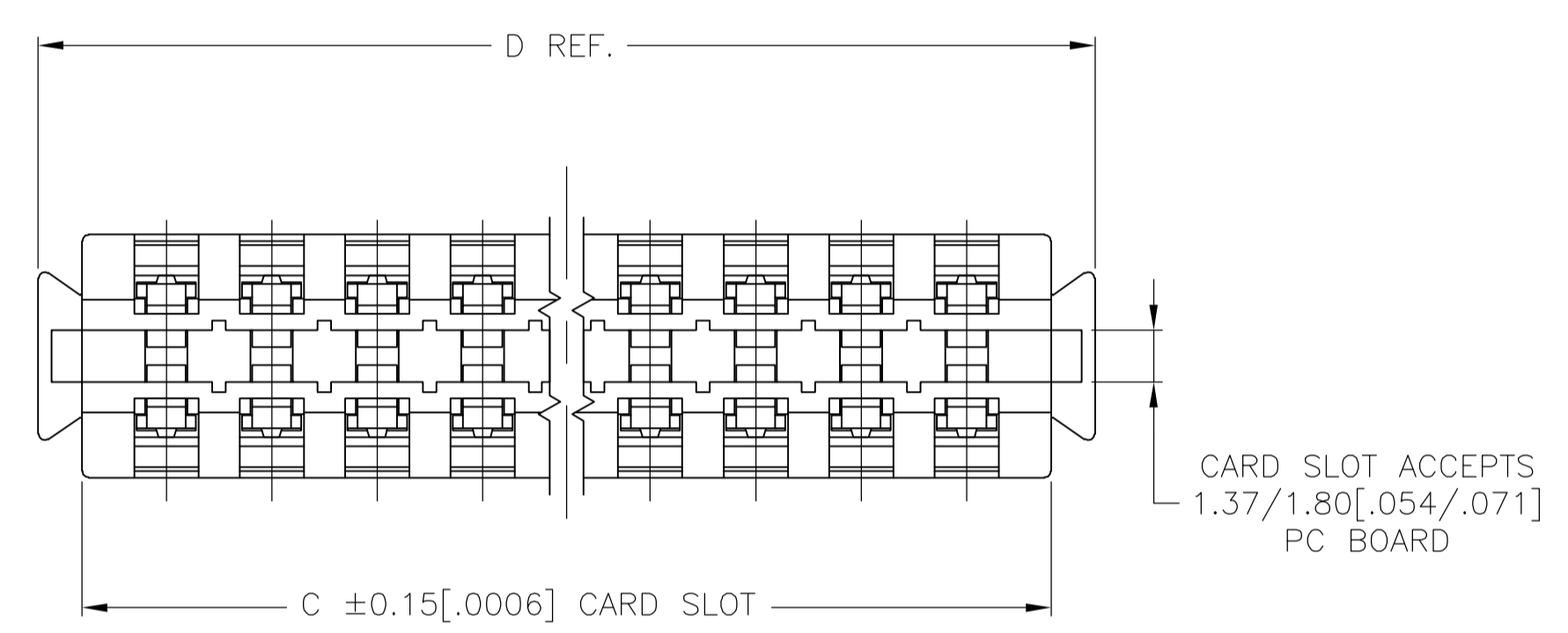


- 1 GOLD PLATE .00076 [.000030] MIN. THICK.
- 2 NICKEL PL. .00127[.000050] MIN. THK. PER QQ-N-290
- 3 SOLDER PL. .00254[.000100] MIN. THK.
- 4 STAMPED P/N & DATE CODE.
- 5. OPTIONAL: KEYING PLUG FOR INTERCONTACT KEYING IS 118982-1
- 6. OPTIONAL: CARD GUIDE (BASE NO 117169)
- 7 ALL PARTS ASSEMBLED IN MEXICO MUST BE STAMPED "ASSY IN MEXICO". THE WORD "MEXICO" CAN BE SUBSTITUTED ONLY WHERE PART SIZE PROHIBITS STAMPING "ASSY IN MEXICO", INK COLOR WHITE PER 115-9009, APPROX WHERE SHOWN, SIDE OPTIONAL.
- 8 ACTION PIN REQUIRES 2.13[.084] MIN. THK. PC BOARD.

REQ'D DRILL SIZE	HOLE DIA ±.03[.001]	PLATING THICKNESS		HOLE DIAMETER		COPPER HARDNESS (KNOOP)	PAD DIA MIN.
		COPPER	TIN/LEAD	AFTER PLATING	AFTER REFLOW		
1.15mm	1.15 [.0453]	0.03-0.08 [.001-.003]	0.008 MIN. [.0003] MIN.	0.94-1.09 [.037-.043]	0.914-1.09 [.0036-.043]	150 MAX	1.57 [.062]
1.15mm	1.15 [.0453]	NOT PLATED THRU					1.65 [.065]

- 9 MATTE TIN PL. .00254[.000100] MIN. THK.



	177.65 [6.994]	174.35 [6.864]	166.42 [6.552]	42	43	7-119790-9
	118.21 [4.654]	114.91 [4.524]	106.98 [4.212]	27	28	6-119790-4
	94.44 [3.718]	91.13 [3.588]	83.21 [3.276]	21	22	5-119790-8
	66.70 [2.626]	63.40 [2.496]	55.47 [2.184]	14	15	5-119790-1
	177.65 [6.994]	174.35 [6.864]	166.42 [6.552]	42	43	2-119790-9
	-	-	-	-	-	2-119790-8
	-	-	-	-	-	2-119790-7
	-	-	-	-	-	2-119790-6
	-	-	-	-	-	2-119790-5
	-	-	-	-	-	2-119790-4
	-	-	-	-	-	2-119790-3
OBSOLETE	149.91 [5.702]	146.61 [5.772]	138.68 [5.468]	35	36	2-119790-2
	-	-	-	-	-	2-119790-1
	-	-	-	-	-	1-119790-9
	-	-	-	-	-	1-119790-8
	-	-	-	-	-	1-119790-7
	-	-	-	-	-	1-119790-6
	-	-	-	-	-	1-119790-5
	118.21 [4.654]	114.91 [4.524]	106.98 [4.212]	27	28	1-119790-4
OBSOLETE	114.25 [4.498]	110.95 [4.368]	103.02 [4.056]	26	27	1-119790-3
	-	-	-	-	-	1-119790-2
	-	-	-	-	-	1-119790-1
OBSOLETE	102.36 [4.030]	99.06 [3.900]	91.13 [3.588]	23	24	1-119790-0
	-	-	-	-	-	119790-9
	94.44 [3.718]	91.13 [3.588]	83.21 [3.276]	21	22	119790-8
	-	-	-	-	-	119790-7
	-	-	-	-	-	119790-6
	-	-	-	-	-	119790-5
	-	-	-	-	-	119790-4
	-	-	-	-	-	119790-3
	-	-	-	-	-	119790-2
	66.70 [2.626]	63.40 [2.496]	55.47 [2.184]	14	15	119790-1
	D	C	B	A	POSN	PART NO.

THIS DRAWING IS A CONTROLLED DOCUMENT.

DIMENSIONS: mm [INCHES]	TOLERANCES UNLESS OTHERWISE SPECIFIED:	DWN R.L. LEHR 10-FEB-93	CHK H. ROSE 7/8/94	APVD H. ROSE 7/8/94	NAME H. ROSE	PRODUCT SPEC	tyco Electronics Tyco Electronics Corporation Harrisburg, Pa 17105-3608
0 PLC ± -	1 PLC ± -	2 PLC ± -	3 PLC ± 0.25[.010]	4 PLC ± -	ANGLES ± -	FINISH	CONNECTOR, AMP PACE .156 X .200
MATERIAL: HOUSING: VALDX 420 SED, BLACK CONTACTS: COPPER NICKEL	FINISH	SIZE: A1	DATE CODE: 00779	DRAWING NO: 119790	RESTRICTED TO: -	WEIGHT: -	CUSTOMER DRAWING

SCALE: 4:1 SHEET 1 OF 1 REV H