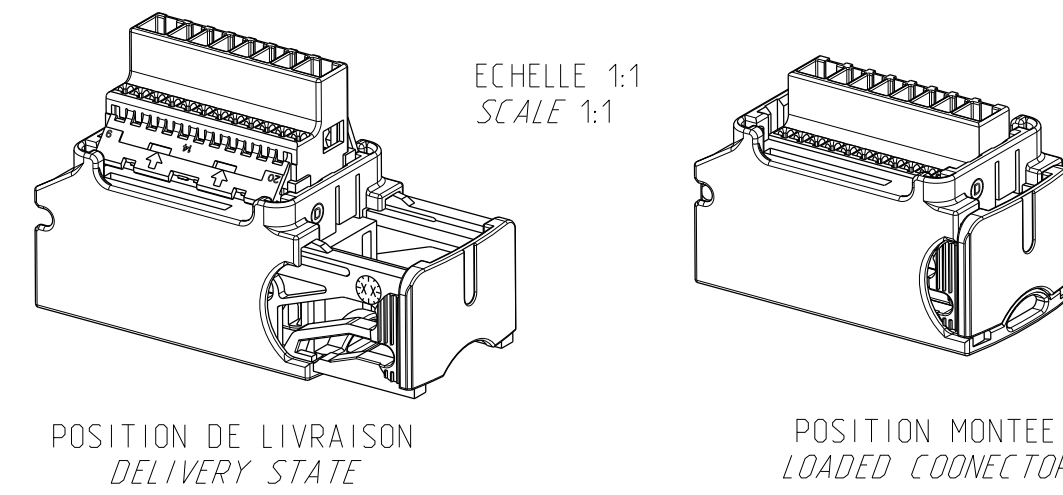
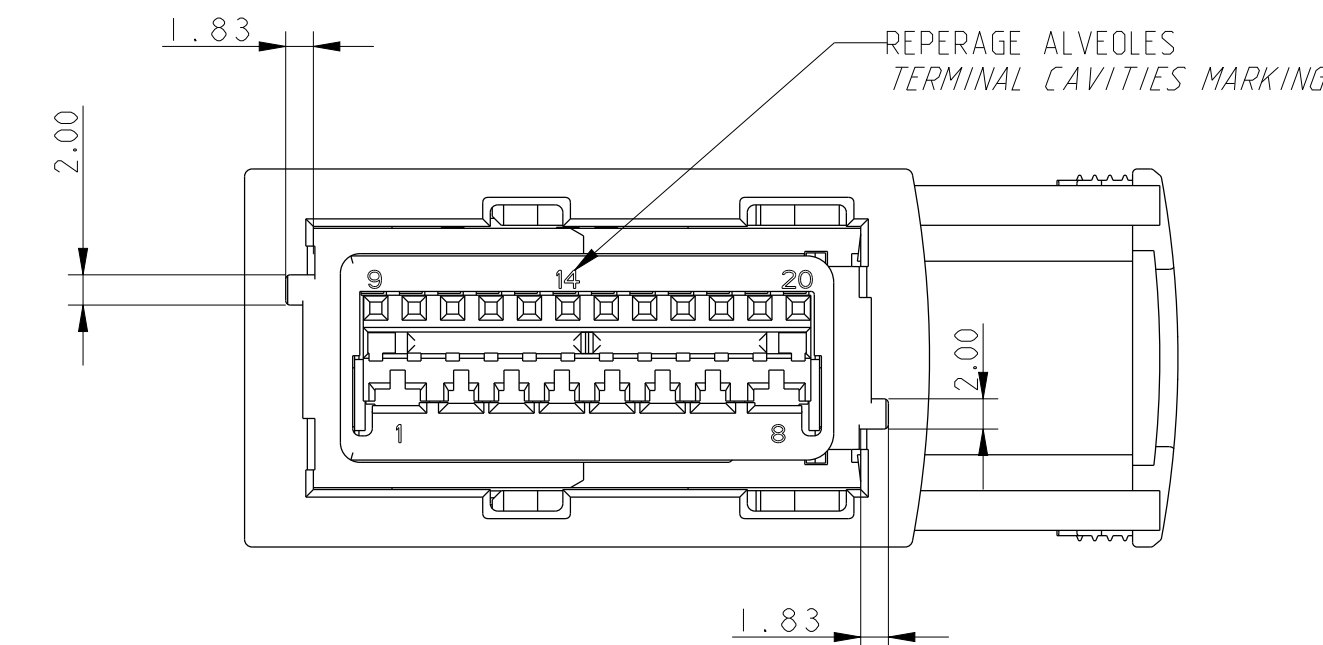
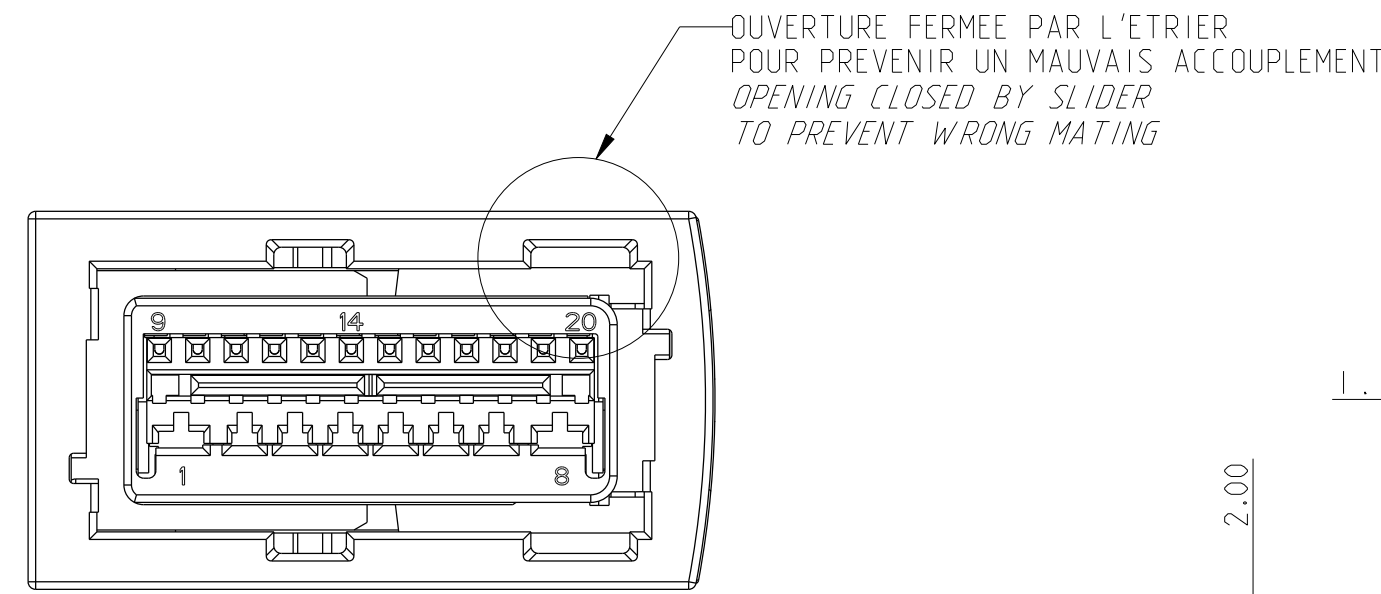
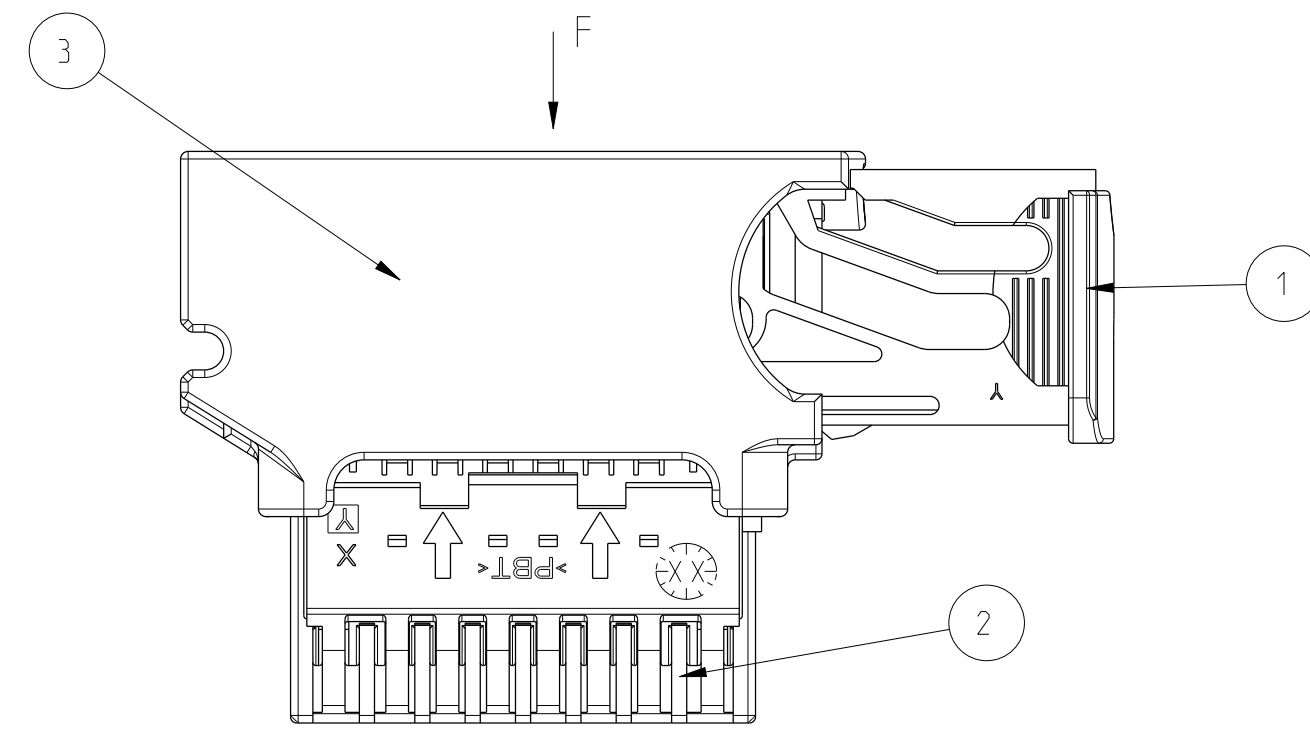
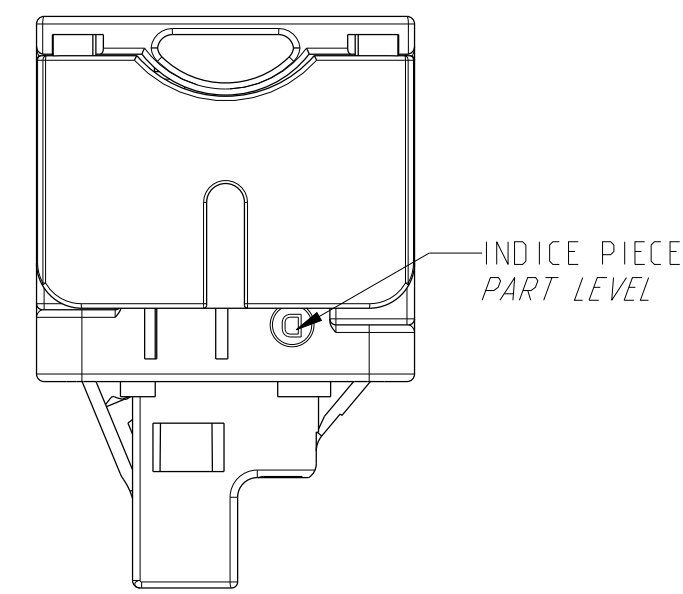


38.00 MAXI POSITION DE LIVRAISON / DELIVERY STATE
28.70 MAXI POSITION MONTÉE / LOADED CONNECTOR



N°	DESIGNATION	MATIERE / MATERIAL	COULEUR / COLOUR	REF
1	ETRIER / SLIDER	PA 6/6 30%	BLEU / BLUE	211 M 6 135
2	MODULE / TERMINAL CARRIER	PBT 0%	NOIR / BLACK	211 I 0 082
3	PORTE MODULE / FEMALE HOUSING	PBT 15%	JAUNE / YELLOW ORANGE ROUGE / RED ROSE / PINK	211 I 4 081 211 I 3 081 211 I 2 081 211 I R 081

ROUGE / RED	ORANGE	JAUNE / YELLOW	ROSE / PINK	COULEUR / COLOUR
211 PC 20 9 S 2 055	211 PC 20 9 S 3 055	211 PC 20 9 S 4 055	211 PC 20 9 S R 055	REF. MVL
D	D	D	D	IND. / REV.
10866581	13677058	10847065	13985308	REF. DELPHI
02	02	02	01	IND. / REV.

CODAGE JAUNE REPRESENTE
YELLOW CODING SHOWN

ECN-NO. / NUMBER ECN	POSITION	CHANGE DESCRIPTION / MODIFICATION
-	-	INITIAL RELEASE
PROJECT SPEC: PACKAGING SPEC: APPLICATION SPEC: COPYRIGHT DELPHI CORPORATION AND/OR ITS AFFILIATES. ALL RIGHTS RESERVED. REVISED THIS DRAWING IS THE PROPERTY OF DELPHI CORPORATION AND CONTAINS DELPHI CONFIDENTIAL INFORMATION. THE REPRODUCTION, DISTRIBUTION AND SALE OF THIS DOCUMENT IS PROHIBITED WITHOUT EXPRESS AUTHORIZATION. IS PROHIBITE. LE PLAN EST LA PROPRIETE DE DELPHI CORPORATION ET CONTIEN DES INFORMATIONS CONFIDENTIELLES. LA REPRODUCTION, LA DISTRIBUTION ET LA VENTE DE CE DOCUMENT SANS LAutorisation PREALABLE, EST INTERDIT.		
TOLERANCES / TOLERANCES	±0.1 ±0.2	MATERIAL: SEE TABLE / MATIERE: SEE TABLE
CONTRIBUTOR / CONTRIBUTEUR	DELPHI	DELPHI PACKARD ELECTRICAL/ELECTRONIC ARCHITECTURE
DO NOT REASURE DRAWING / NE PAS REASUREZ LE DROIT	ECO EX: 664 FE	ECO EX: 664 FE
CREATED BY / CRETEUR	DATE	TITLE / DESIGNATION
MODIFIED BY / MODIFIE	DATE	DESIGNATION
APPROVED BY / APPROUVE	DATE	DESIGNATION
FILE NAME / NOM DE FICHER	PCC0828890	

DELPHI
 ELECTRICAL/ELECTRONIC ARCHITECTURE
 EPFREM, FRANCE
 DIMENSION IN MILLIMETERS / DIMENSIONS EN MILLIMETRES
 PRODUCTION ISO
 DRAWING NUMBER / REF. PLAN: PCC0828890
 PART NUMBER / REF. ARTICLE: 211 I 4 081
 SERIAL RELEASED
 See Table

EUR C04 112 F29