

## FEATURES AND SPECIFICATIONS

### Features and Benefits

- Sizes 2 to 8 circuits
- Second pin void
- Other plating options available

### Reference Information

Packaging: Bag  
 UL File No.: E29179  
 CSA File No.: LR19980  
 Mates With: 5198-N housing  
 Designed In: Millimeters

### Electrical

Voltage: 250V  
 Current: 7.0A  
 Contact Resistance: 10mΩ max.  
 Dielectric Withstanding Voltage: 1500V AC/1 min.  
 Insulation Resistance: 1000 MΩ min.

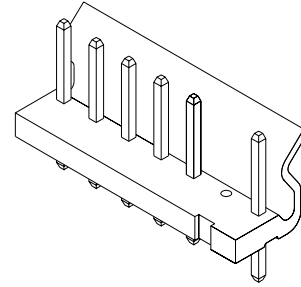
### Physical

Housing: 6/6 nylon, UL 94V-2  
 Housing: Brass, 1.14mm (.045") square  
 Plating: Tin  
 Operating Temperature: -40 to +105°C

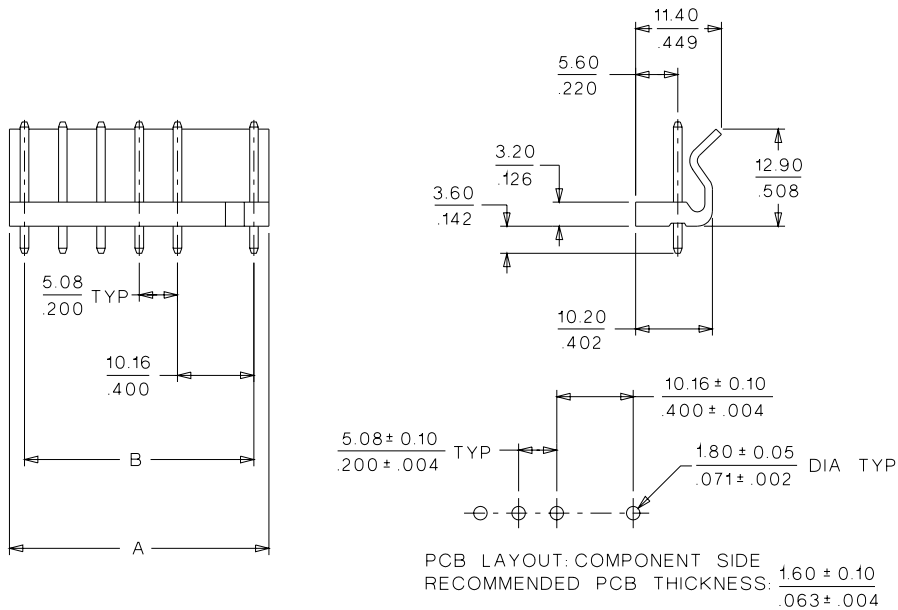
**molex**® 5.08mm (.200") Pitch  
**SPOX™**  
**Header**

**5285-NA**

**Vertical, Friction Lock  
 With Void**



## CATALOG DRAWING (FOR REFERENCE ONLY)

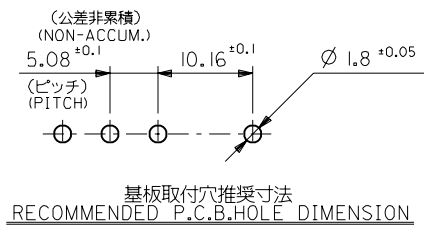
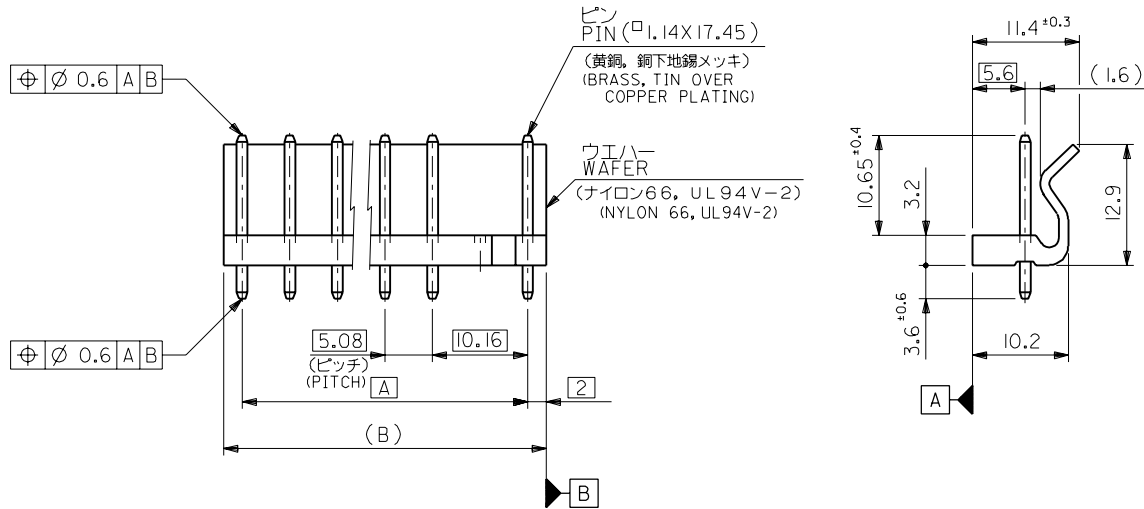


## ORDERING INFORMATION AND DIMENSIONS

Circuits	Order No.	Dimension	
		A	B
2	10-63-1029	14.16 (.557)	10.16 (.399)
3	10-63-1039	19.24 (.757)	15.24 (.599)
4	10-63-1049	24.32 (.957)	20.32 (.799)
5	10-63-1059	29.40 (1.157)	25.40 (1.000)
6	10-63-1069	34.48 (1.357)	30.48 (1.199)
7	10-63-1079	39.56 (1.557)	35.56 (1.399)
8	10-63-1089	44.64 (1.757)	40.64 (1.599)

注記 NOTE

1. ウエハーのそりは、長さ25.4に対して0.24MAX.  
CHAMBER MUST BE 0.24 MAX. PER 25.4



44.64	40.64	10-63-1089	5285-08A	8
39.56	35.56	↑ -1079	↑ -07A	7
34.48	30.48	↑ -1069	↑ -06A	6
29.4	25.4	↑ -1059	↑ -05A	5
24.32	20.32	↑ -1049	↑ -04A	4
19.24	15.24	↓ -1039	↓ -03A	3
14.16	10.16	10-63-1029	5285-02A	2
B	A	EDP NO.	ENG. NO.	NO. OF CKT.

材料 MATERIAL		図中参照 SEE DRAWING	
仕上げ FINISH		— — —	
適用電線範囲 WIRE RANGE		— — —	
被覆外径 INS. RANGE		— — —	
DRAWN BY 1/23/89	CHK'D BY 3/14/96	H.HIRAMOTO S.A.HIRAMOTO	
APP'D BY 3/14/96	DATE 1/23/89	M.FUKUSHIMA	
尺度 SCALE 2-1			

MOLEX JAPAN CO., LTD. 日本モレックス株式会社	
REVISE ONLY ON CAD SYSTEM	
TITLE 名称	
KK 5.08/10.16 WAFER ASS'Y WITH LOCK	
DWG. NO.	REV
SD-5285-NA	D

角度 ANGLE	±3°		
30以上 OVER	+0.3		
10以上 30未満 OVER	+0.25	D 変更 REVISD (JC60644)	1/23/89
10未満 UNDER	+0.2	C 変更 & 再作図 (J90026) REVISD & REDRAWN	1/23/89
一般公差 GENERAL TOLERANCES		記号 LTR 変更内容 REVISION RECORD	DR. CHK. 日付 DATE