

**Thru-Hole Headers—Unshrouded, .050 x .100 [1.27 x 2.54] Centerline, Board-to-Board**

**Single Row, Right-Angle**

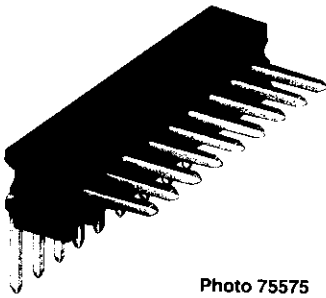
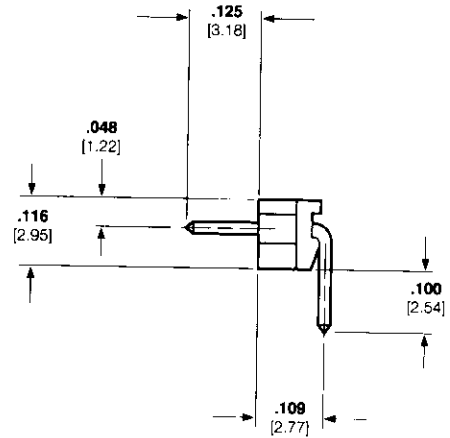
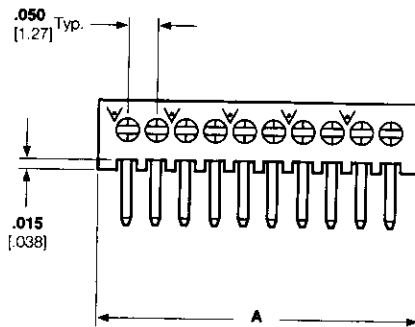
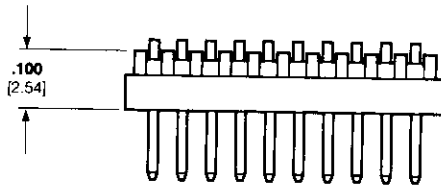


Photo 75575

**Material and Finish:**

**Housing**—Glass-filled black thermoplastic, 94V-0 rated

**Contacts**—Copper alloy, plated .000030 [0.00076] gold in mating area, .000150 [0.00381] tin-lead on solder posts, with entire contact underplated .000050 [0.00127] nickel



**Related Product Data:**

**Performance Characteristics**—page 63

**Mateable Connectors**—pages 35, 36, 47, & 48

**PC Board Hole Layout**—page 39

**Technical Documents (page 64):**

**Product Specification** 108-1093

**Application Specification** 114-25031

No. of Pos.	Dimension A	Part Numbers
4	.215 [5.46]	104186-1
8	.415 [10.54]	104186-5
12	.615 [15.62]	104186-7
15	.765 [19.43]	104186-9
17	.865 [21.97]	1-104186-0
20	1.015 [25.78]	1-104186-1
25	1.265 [32.13]	1-104186-3
30	1.515 [38.48]	1-104186-5
31	1.565 [39.75]	2-104186-0
40	2.015 [51.18]	1-104186-7