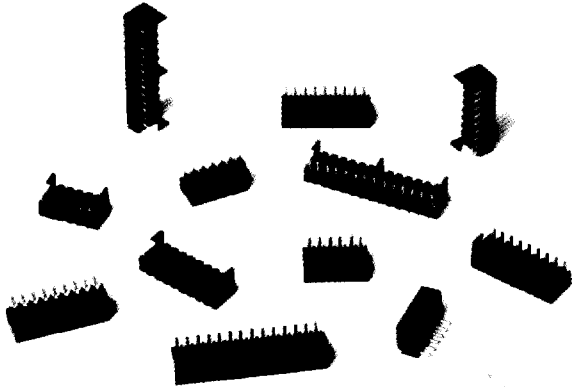


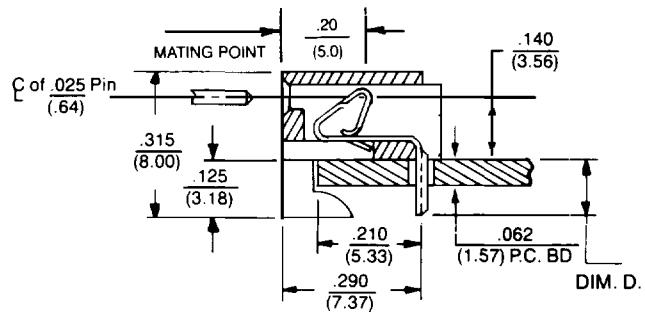
# .100" (2.54 mm) Dip Solder Connector



## 1000 Series Horizontal Mount (Right Angle)

A low cost approach to packaging for light or dense packaged P.C. board applications. Mates with 1100-1, 1100-3 series headers or .025 sq. pins stacked into P.C. boards.

**Housing Material:** Nylon 94V-0  
**Contacts:** Copper Alloy



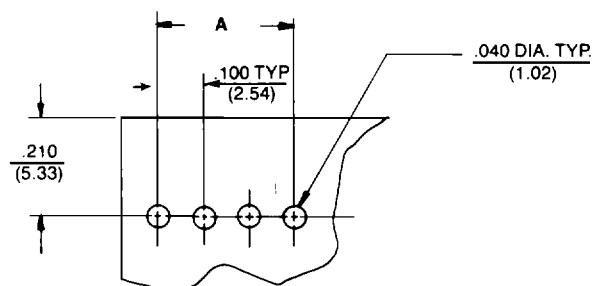
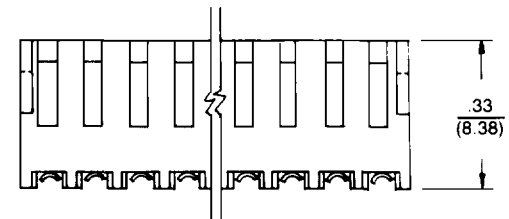
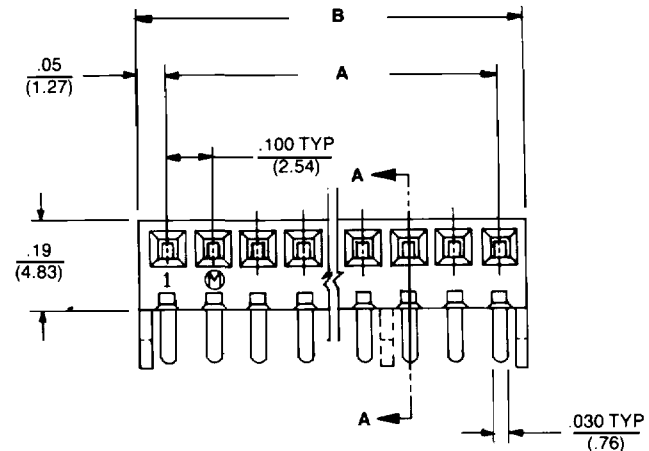
### PART NUMBER CODING

**100X - 1XX - 2103**  
 NUMBER OF POSITIONS  
 PLATING CODE  
 0 = TIN  
 8 = .000015 SELECTIVE GOLD

### Pin Chart

| PIN NUMBER | DIM D      |
|------------|------------|
| 03         | .12 (3.05) |

| PART NUMBER   | NO. OF POSITION | DIM A         | "B" ±.010 (±.254) |
|---------------|-----------------|---------------|-------------------|
| 100X-102-2103 | 2               | .100 (2.54)   | .200 (5.08)       |
| 100X-103-2103 | 3               | .200 (5.08)   | .300 (7.62)       |
| 100X-104-2103 | 4               | .300 (7.62)   | .400 (10.16)      |
| 100X-105-2103 | 5               | .400 (10.16)  | .500 (12.70)      |
| 100X-106-2103 | 6               | .500 (12.70)  | .600 (15.24)      |
| 100X-107-2103 | 7               | .600 (15.24)  | .700 (17.78)      |
| 100X-108-2103 | 8               | .700 (17.78)  | .800 (20.32)      |
| 100X-109-2103 | 9               | .800 (20.32)  | .900 (22.86)      |
| 100X-110-2103 | 10              | .900 (22.86)  | 1.000 (25.40)     |
| 100X-111-2103 | 11              | 1.000 (25.40) | 1.100 (27.94)     |
| 100X-112-2103 | 12              | 1.100 (27.94) | 1.200 (30.48)     |
| 100X-113-2103 | 13              | 1.200 (30.48) | 1.300 (33.02)     |
| 100X-114-2103 | 14              | 1.300 (33.02) | 1.400 (35.56)     |
| 100X-115-2103 | 15              | 1.400 (35.56) | 1.500 (38.10)     |
| 100X-116-2103 | 16              | 1.500 (38.10) | 1.600 (40.64)     |
| 100X-117-2103 | 17              | 1.600 (40.64) | 1.700 (43.18)     |
| 100X-118-2103 | 18              | 1.700 (43.18) | 1.800 (45.72)     |
| 100X-119-2103 | 19              | 1.800 (45.72) | 1.900 (48.26)     |
| 100X-120-2103 | 20              | 1.900 (48.26) | 2.000 (50.80)     |
| 100X-121-2103 | 21              | 2.000 (50.80) | 2.100 (53.34)     |
| 100X-122-2103 | 22              | 2.100 (53.34) | 2.200 (55.88)     |
| 100X-123-2103 | 23              | 2.200 (55.88) | 2.300 (58.42)     |
| 100X-124-2103 | 24              | 2.300 (58.42) | 2.400 (60.96)     |
| 100X-125-2103 | 25              | 2.400 (60.96) | 2.500 (63.50)     |
| 100X-126-2103 | 26              | 2.500 (63.50) | 2.600 (66.04)     |
| 100X-127-2103 | 27              | 2.600 (66.04) | 2.700 (68.58)     |
| 100X-128-2103 | 28              | 2.700 (68.58) | 2.800 (71.12)     |



RECOMMENDED P.C. BOARD LAYOUT

C