

Tab Contacts Symmetric

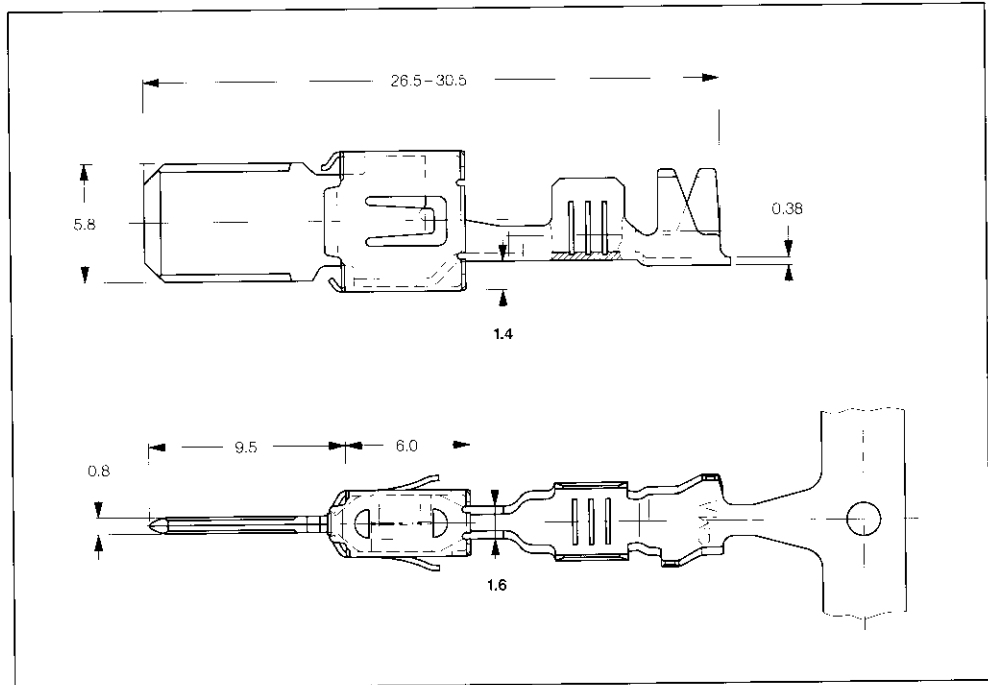
**Tabs 5.8 x 0.8 mm
with Steel Top Spring**

Extraction Tool:
Part No. **968107-1**

Product Group Drawing:
1241895

Product Specification:
108-18064

Application Specification:
114-18052



Standard Tab Contacts

Wire Size Range (mm ²)	Insulation Diameter		Material and Finish*	Part Numbers					Hand Tool 539635-1 with Die Set
	FLK (mm)	FLR (mm)		Strip Form	Packaging Unit	Loose-Piece	Packaging Unit	Applicator*	
1.5-2.5	2.4-3.7	-	1-xxx-1 / 1-xxx-2 / 2-xxx-1 / 2-xxx-2	962845	1,700	963740	500	x-878563-x	
3.0-4.0	3.3-4.5	-	1-xxx-1 / 1-xxx-2 / 2-xxx-1 / 2-xxx-2	962846	1,800	963741	500	x-878564-x	539759-2
0.5-1.0	-	1.4-2.1	1-xxx-1 / 1-xxx-2 / 2-xxx-1 / 2-xxx-2	963734	1,700	963737	500	x-878654-x	
1.5-2.5	-	2.2-3.0	1-xxx-1 / 1-xxx-2 / 2-xxx-1 / 2-xxx-2	963735	1,800	963738	500	x-878561-x	734688-1**
>2.5-4.0	-	2.7-3.7	1-xxx-1 / 1-xxx-2 / 2-xxx-1 / 2-xxx-2	963736	1,800	963739	500	x-878562-x	539623-1**
0.2-0.5	-	1.15-1.60	1-xxx-1 / 2-xxx-1	965984	2,000	965985	500	-	-
4.0-6.0	4.0-5.2	-	1-xxx-1 / 2-xxx-1	968050	1,500	968051	500	x-878968-x	-

Tab Contacts with Single Wire Sealing System

Wire Size Range (mm ²)	Insulation Diameter		Material and Finish*	Part Numbers					Hand Tool 539635-1 with Die Set
	FLK (mm)	FLR (mm)		Strip Form	Packaging Unit	Loose-Piece	Packaging Unit	Applicator*	
0.5-1.0	-	1.4-2.1	1-xxx-1 / 1-xxx-2 / 2-xxx-1 / 2-xxx-2	962917	1,500	963742	500	x-878565-x	539757-2 734442-1**
1.5-2.5	-	2.2-3.0	1-xxx-1 / 1-xxx-2 / 2-xxx-1 / 2-xxx-2	962918	1,500	963743	500	x-878566-x	539757-2 734444-1**
>2.5-4.0	-	2.7-3.7	1-xxx-1 / 1-xxx-2 / 2-xxx-1 / 2-xxx-2	962919	1,500	963744	500	x-878567-x	539757-2 734446-1**

***) Material and Finish:**

- 1-xxx-1 = CuSn, pre-tin plated
- 1-xxx-2 = CuSn, selective silver plated
- 2-xxx-1 = CuFe, pre-tin plated
- 2-xxx-2 = CuFe, selective silver plated

Remarks:

***) Hand Tool complete

*) The pre- and suffix for the applicators depends on the applied termination equipment.