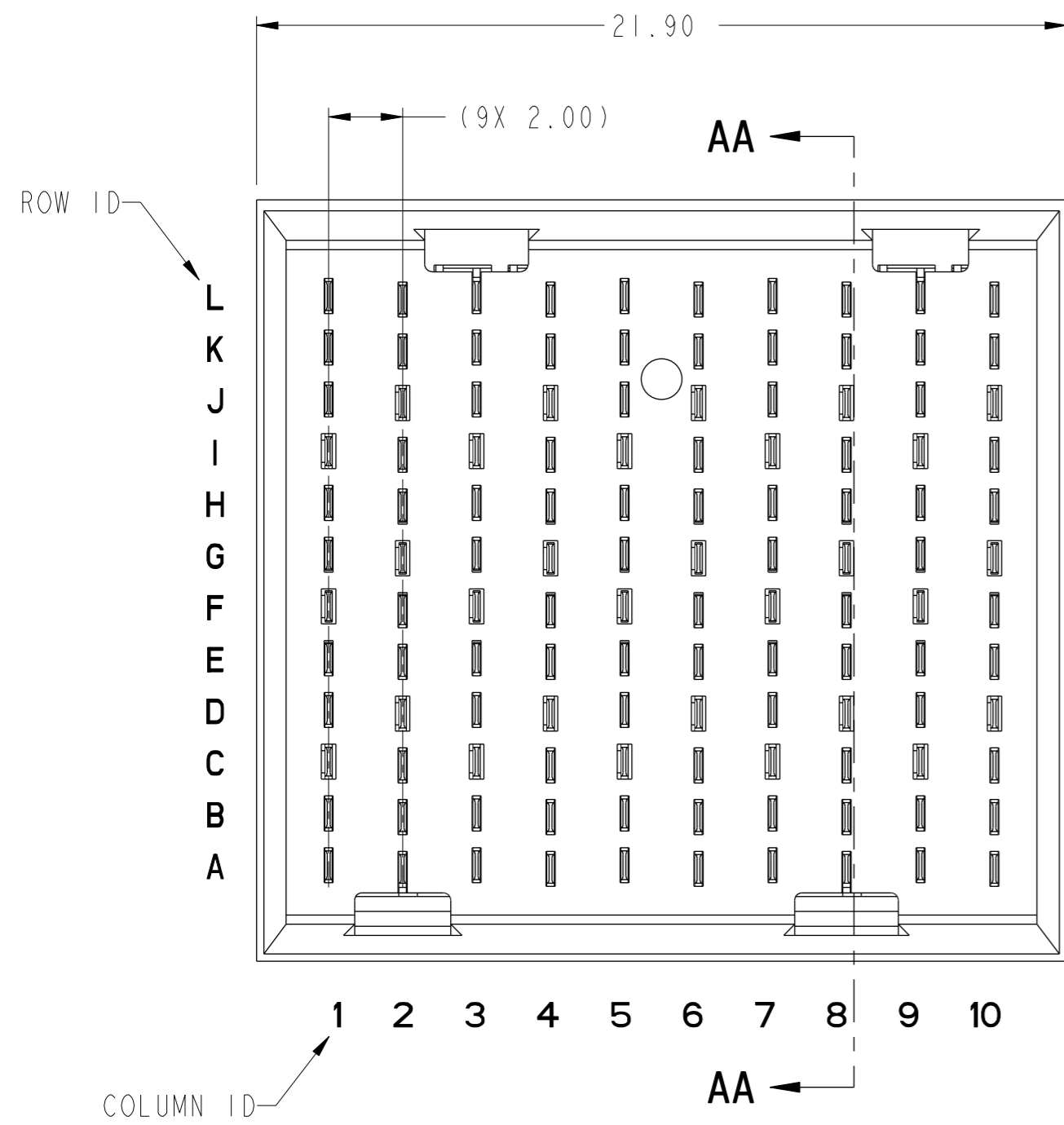
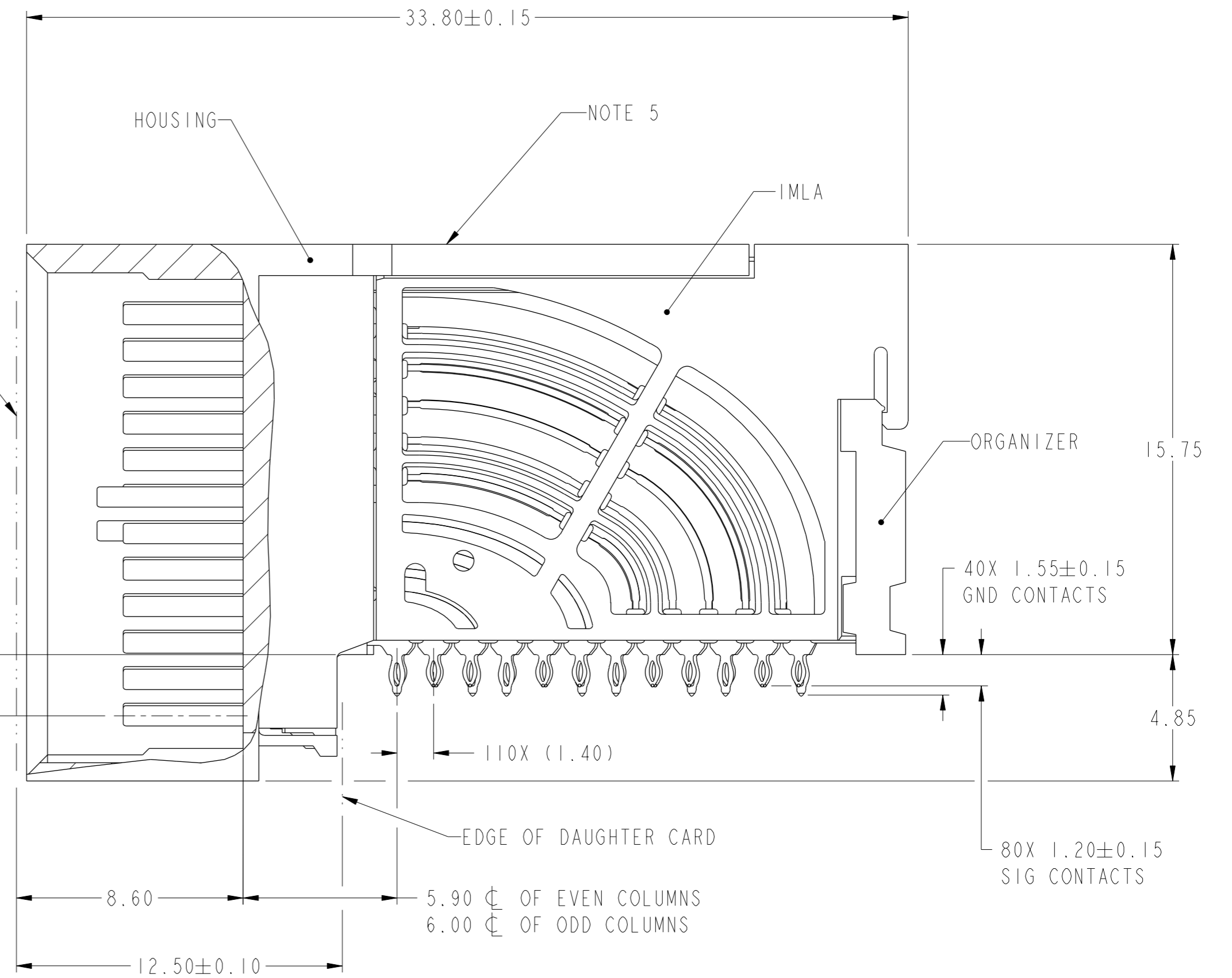


PRODUCT NUMBER
SEE SHEET 3



2.35 ϕ OF EVEN COLUMNS
2.25 ϕ OF ODD COLUMNS



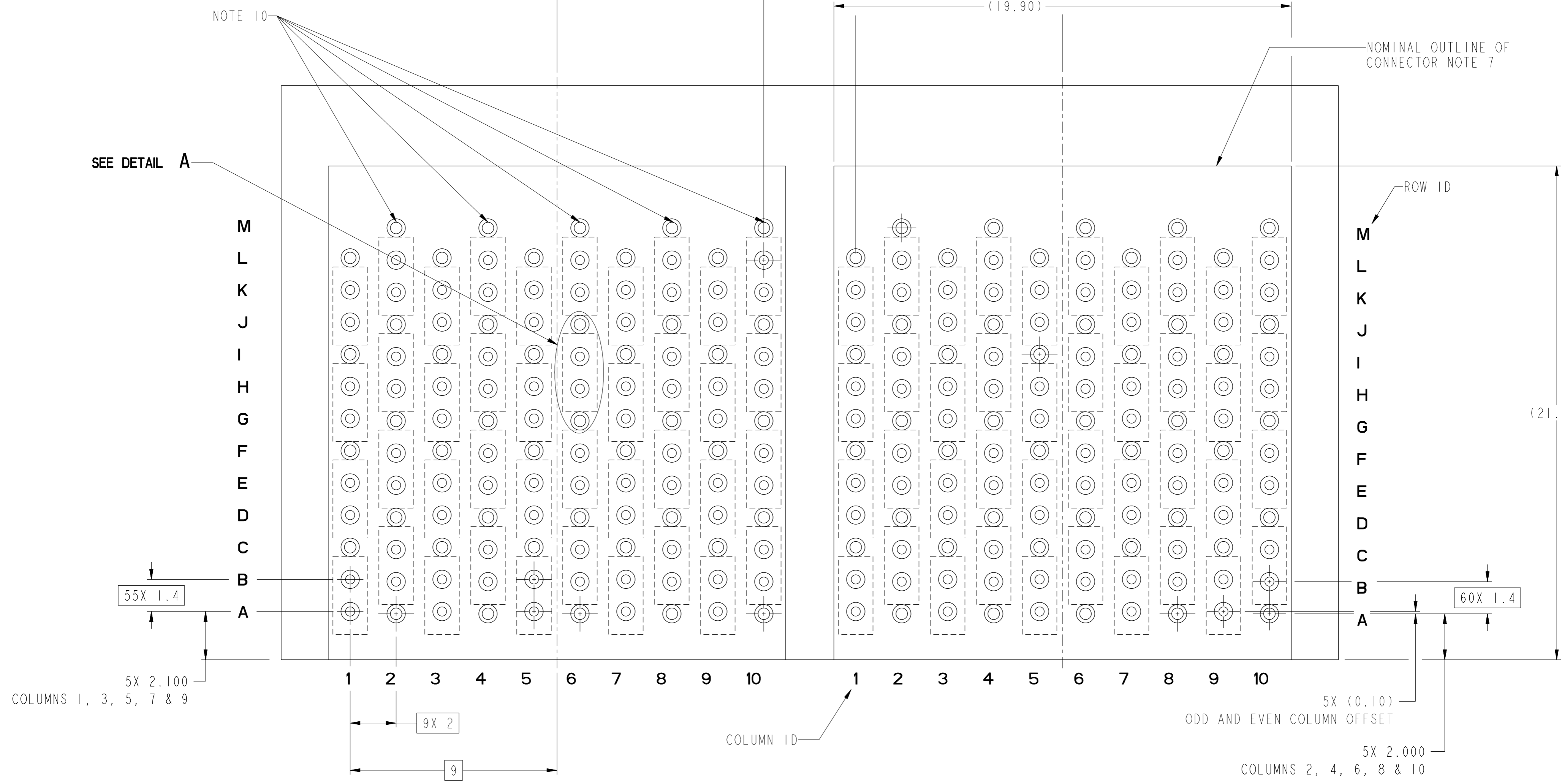
SECTION AA-AA

spec ref	---	dr	Mark Gray	201204/17	projection	MM	size	A2	scale	10:1										
tolerance std	ASME Y14.5M	eng	Jeny Ren	2015/01/08			ecn no	ELX-DG-19894-1												
TOLERANCES UNLESS OTHERWISE SPECIFIED		chr	-	rel level			Released													
surface	<table border="1"> <tr> <td>linear</td> <td>0.X</td> <td>±.3</td> </tr> <tr> <td></td> <td>0.XX</td> <td>±.10</td> </tr> <tr> <td></td> <td>0.XXX</td> <td>±.050</td> </tr> <tr> <td>angular</td> <td>0°</td> <td>±2°</td> </tr> </table>	linear	0.X	±.3				0.XX	±.10		0.XXX	±.050	angular	0°	±2°	apppr	Collins Lu	2015/01/13	product family	-
linear	0.X	±.3																		
	0.XX	±.10																		
	0.XXX	±.050																		
angular	0°	±2°																		
				title AirMax VSe R.A. HEADER Ass'y, 4 Pair, 120 pos, 10 IMLA		dwg no 10120001		rev C												
		www.fci.com		cat. no. -		Product - Customer Draw		sheet 1 of 3												

PDS: Rev: C

STATUS: Released

Printed: Jan 16, 2015



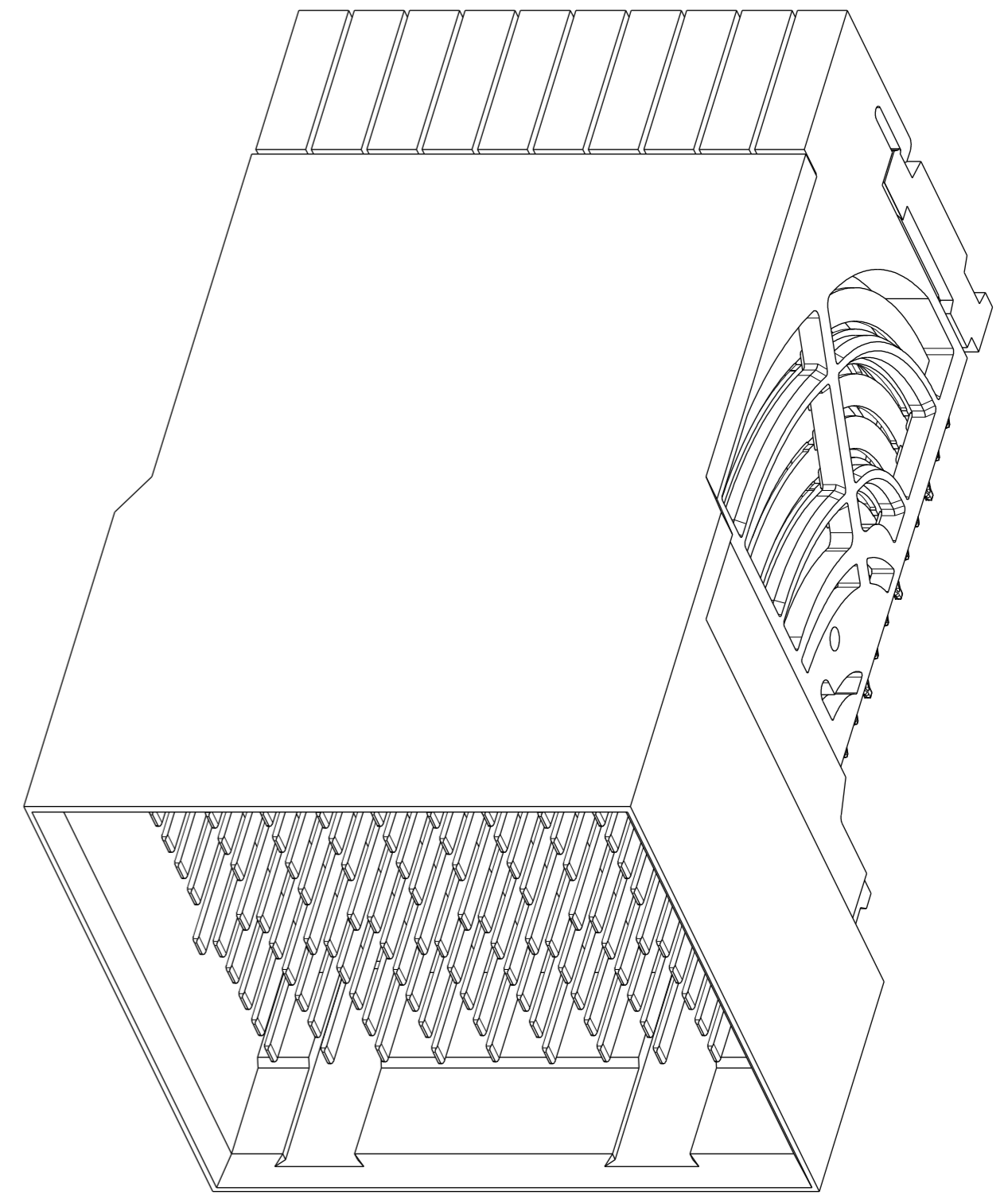
RECOMMENDED PCB LAYOUT
FOR DIFFERENTIAL APPLICATIONS
COMPONENT SIDE
(TWO ADJACENT FOOTPRINTS SHOWN)
NOTES 8 & 12

SCALE 8:1

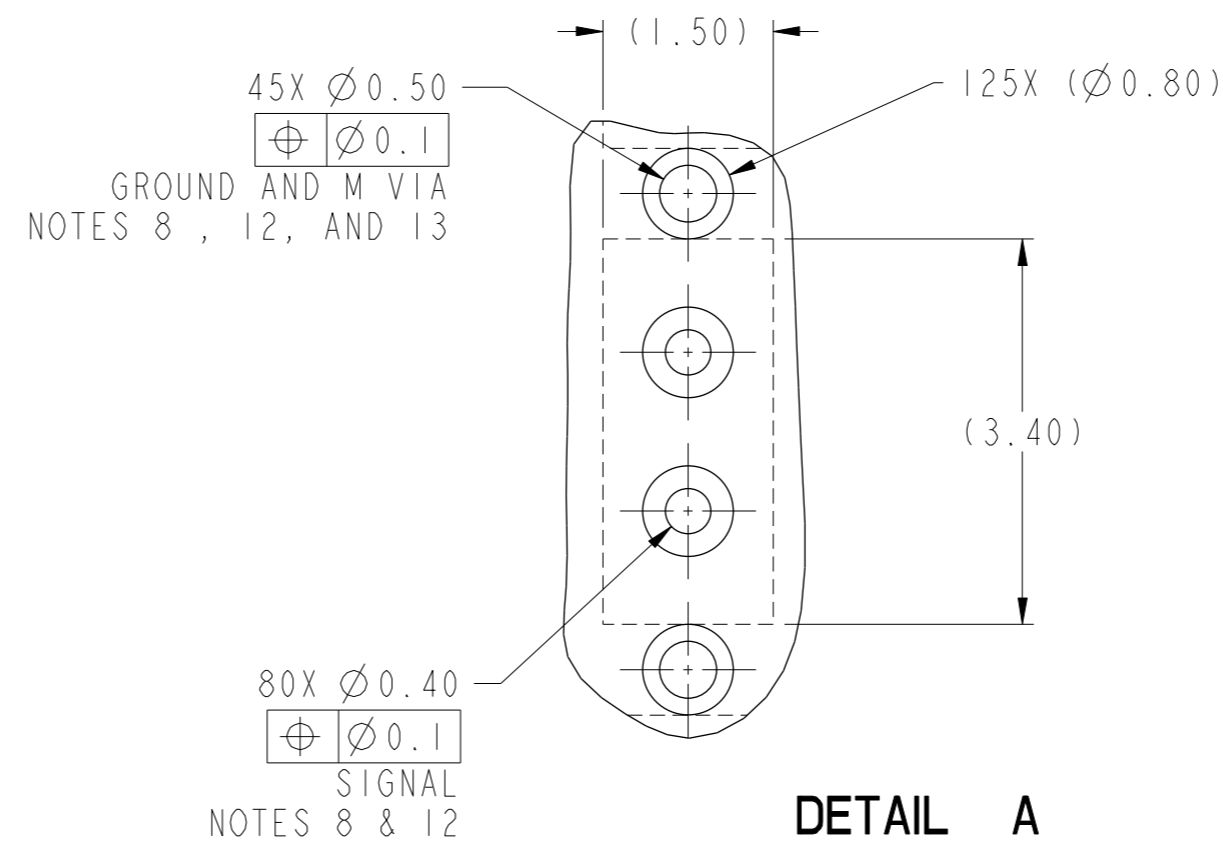
spec ref	---	dr	Mark Gray	201204/17	projection	MM	size	A2	scale	8:1	
tolerance std	ASME Y14.5M	eng	Jeny Ren	201501/08			ecn no	ELX-DG-19894-1	rel level	Released	
TOLERANCES UNLESS OTHERWISE SPECIFIED				product family							-
surface	✓	linear	0.X ±.3 0.XX ±.10 0.XXX ±.050	title							AirMax VSe R.A. HEADER Ass'y, 4 Pair, 120 pos, 10 IMLA
		angular	0° ±2°	www.fci.com	cat. no.	-	Product - Customer Drw	sheet 2 of 3			

PRODUCT NUMBER	PRESS-FIT TAIL PLATING TYPE
10120001-101	TIN/LEAD ALLOY OVER NICKEL
10120001-101LF	TIN OVER NICKEL (LEAD FREE)

- 1 - CONNECTOR MATERIALS:
HOUSING: HIGH TEMP THERMOPLASTIC, NATURAL, UL94-V0
IMLA PLASTIC: HIGH TEMP THERMOPLASTIC, BLACK, UL94-V0
CONTACT: COPPER ALLOY
ORGANIZER: HIGH TEMP THERMOPLASTIC, NATURAL, UL94-V0
- 2 - CONTACT PLATING:
SEPARABLE INTERFACE:
PERFORMANCE-BASED PLATING, QUALIFIED TO MEET THE REQUIREMENTS OF FCI PRODUCT SPECIFICATION GS-12-0956 INCLUDING TELCORDIA GR-1217-CORE (NOVEMBER 1995) CENTRAL OFFICE TEST SEQUENCE
- PRESS-FIT TAILS: SEE TABLE
- 3 - PRODUCT SPECIFICATION: GS-12-0956
- 4 - APPLICATION SPECIFICATION: GS-20-0305
- 5 - PRODUCT MARKING, (PROTOTYPE, PART NUMBER & LOT CODE), ON THIS SURFACE.
- 6 - POSITIONS "F" OF ODD NUMBERED COLUMNS AND POSITIONS "G" OF EVEN NUMBERED COLUMNS CORRESPOND TO EARLY MATE HEADER PINS.
- 7 - CONNECTOR OUTLINE MAY BE SCREEN PRINTED ONTO CUSTOMER PCB TO BE USED AS A GUIDE FOR CONNECTOR PLACEMENT.
- 8 - REFER TO CUSTOMER DRAWING 10104444 FOR INFORMATION ON PCB HOLE DIAMETERS AND PLATING OPTIONS
- 9 - LEAD FREE PRODUCT MEETS THE EUROPEAN UNION DIRECTIVES & OTHER COUNTRY REGULATIONS AS DESCRIBED IN GS-22-008
- 10 - THESE OUTER VIAS (M) ARE OPTIONAL. WHILE NO CONNECTOR EONS ARE PRESSED INTO THESE HOLES WE RECOMMEND (Ø0.500) FINISHED HOLES AT THESE LOCATIONS TO PROVIDE GROUND SYMMETRY THROUGH THE PCB.
- 11 - PACKAGING MEETS GS-14-920 LEAD FREE LABELING SPECIFICATION.
- 12 - GROUND CONTACTS (C, F, I & L IN ODD COLUMNS AND A, D, G & J IN EVEN COLUMNS) REQUIRE (Ø0.50) FINISHED HOLES. SIGNAL LOCATIONS REQUIRE (Ø0.40) FINISHED HOLES



10120001-101 OR -101LF



spec ref	---	dr	Mark Gray	201204/17	projection	MM	size	A2	scale	10:1	
tolerance std	ASME Y14.5M	eng	Jeny Ren	201501/08	chr	-	ecn no	ELX-DG-19894-1			
	TOLERANCES UNLESS OTHERWISE SPECIFIED	appr	Collins Lu	201501/13	product family	-	rel level	Released			
surface	✓	linear	0.X	±.3	0.XX	±.10	0.XXX	±.050	angular	0°	±2°
		angular	0°	±2°							
				FCI www.fci.com		title AirMax VSe R.A. HEADER Ass'y, 4 Pair, 120 pos, 10 IMLA		dwg no 10120001		rev C	
				cat. no. -		Product - Customer Drw		sheet 3 of 3			

PDS: Rev :C

STATUS:Released

Printed: Jan 16, 2015