



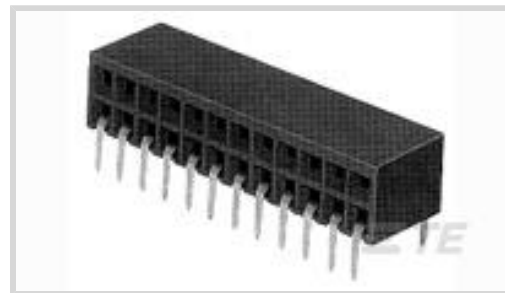
AMPMODU

TE Part # 102953-4

TE Internal #: 102953-4

[View on TE.com >](#)

Connectors > PCB Connectors > Board-to-Board Connectors > Board-to-Board Headers & Receptacles



PCB Connector Assembly Type: **PCB Mount Receptacle**

PCB Mount Orientation: **Right Angle**

Number of Positions: **140**

Centerline (Pitch): **2.54 mm [.1 in]**

Row-to-Row Spacing: **2.54 mm [.1 in]**

Features

Product Type Features

Series	AMPMODU, MOD II
PCB Connector Assembly Type	PCB Mount Receptacle
Sealable	No
Connector & Contact Terminates To	Printed Circuit Board

Configuration Features

Number of Rows	2
Stackable	No
PCB Mount Orientation	Right Angle
Number of Positions	140

Body Features

Connector Profile	Standard
-------------------	----------

Contact Features

PCB Contact Termination Area Plating Material Thickness	1.27 μm[50 μin]
PCB Contact Termination Area Plating Material	Gold Flash
Contact Base Material	Phosphor Bronze
Contact Mating Area Plating Material	Gold
Contact Mating Area Plating Material Thickness	1.27 μm[50 μin]
Contact Type	Socket

Termination Features



Termination Post & Tail Length	2.92 mm[.115 in]
Termination Method to Printed Circuit Board	Through Hole - Solder
Termination Post Length	2.92 mm[.115 in]

Mechanical Attachment

PCB Mount Retention Type	Mounting Ears
Mating Alignment	With
Mating Alignment Type	Polarized
PCB Mount Retention	With

Housing Features

Mating Entry Location	Side
Centerline (Pitch)	2.54 mm[.1 in]
Housing Color	Natural
Housing Material	Polyphenylene Sulfide (PPS)

Dimensions

Connector Height	6.05 mm[.238 in]
Row-to-Row Spacing	2.54 mm[.1 in]
Tail Length	2.92 mm[.115 in]

Usage Conditions

High Temperature Compatible	No
-----------------------------	----

Operation/Application

Solder Process Feature	Board Standoff
------------------------	----------------

Packaging Features

Packaging Quantity	16
Packaging Method	Tray

Other

Comment	With hex mounting ears.
---------	-------------------------

Product Compliance

For compliance documentation, visit the product page on [TE.com](https://www.te.com)>

EU RoHS Directive 2011/65/EU	Compliant
EU ELV Directive 2000/53/EC	Compliant
China RoHS 2 Directive MIIT Order No 32, 2016	No Restricted Materials Above Threshold

EU REACH Regulation (EC) No. 1907/2006

Current ECHA Candidate List: JAN 2019
(197)

Candidate List Declared Against: JAN 2019
(197)

Halogen Content

Not Yet Reviewed for halogen content

Solder Process Capability

Pin-in-Paste capable to 260°C

Product Compliance Disclaimer

This information is provided based on reasonable inquiry of our suppliers and represents our current actual knowledge based on the information they provided. This information is subject to change. The part numbers that TE has identified as EU RoHS compliant have a maximum concentration of 0.1% by weight in homogenous materials for lead, hexavalent chromium, mercury, PBB, PBDE, DBP, BBP, DEHP, DIBP, and 0.01% for cadmium, or qualify for an exemption to these limits as defined in the Annexes of Directive 2011/65/EU (RoHS2). Finished electrical and electronic equipment products will be CE marked as required by Directive 2011/65/EU. Components may not be CE marked. Additionally, the part numbers that TE has identified as EU ELV compliant have a maximum concentration of 0.1% by weight in homogenous materials for lead, hexavalent chromium, and mercury, and 0.01% for cadmium, or qualify for an exemption to these limits as defined in the Annexes of Directive 2000/53/EC (ELV). Regarding the REACH Regulations, TE's information on SVHC in articles for this part number is still based on the European Chemical Agency (ECHA) 'Guidance on requirements for substances in articles' (Version: 2, April 2011), applying the 0.1% weight on weight concentration threshold at the finished product level. TE is aware of the European Court of Justice ruling of September 10th, 2015 also known as O5A (Once An Article Always An Article) stating that, in case of 'complex object', the threshold for a SVHC must be applied to both the product as a whole and simultaneously to each of the articles forming part of its composition. TE has evaluated this ruling based on the new ECHA "Guidance on requirements for substances in articles" (June 2017, version 4.0) and will be updating its statements accordingly.

Customers Also Bought




TE Part #1589065-2
TCM044PC2DC006 =
CIRCULAR



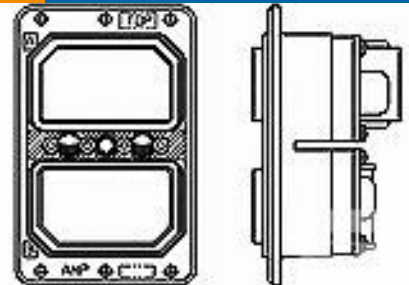
TE Part #1-206498-2
PLUG ASSY, 15 POSN,
AMPLIMITE



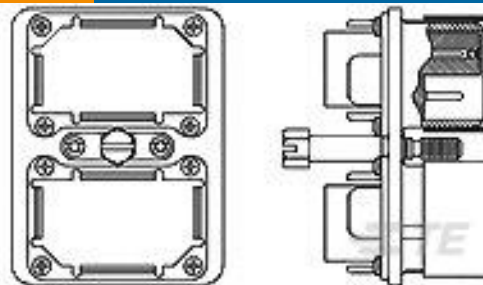
TE Part #102953-5
MOD HRZ 100CL/115TN
/170 POS



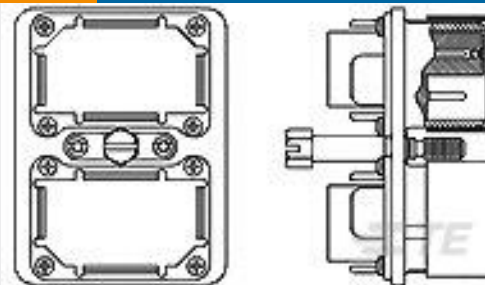
TE Part #1052080-2
2037 5009 00




TE Part #1757312-1
RME2R106S22Q2P-0101
(201)



TE Part #1757313-1
RME2P106P22Q2S-4601
(201)



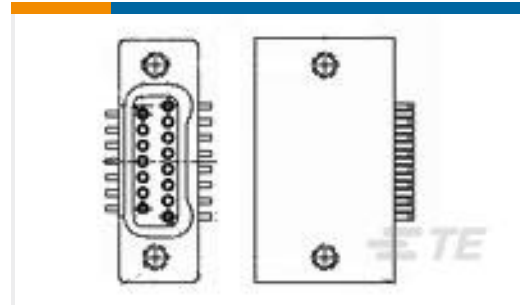
TE Part #1757313-2
RME2P106P22Q2S-4602
(201)



TE Part #1757677-1
R2PC2SC2s-4601



TE Part #5786557-9
100 50SR VRT RCPT,FL
TOP,ACT PN



TE Part #5-1589484-5
STM037L44KN = SMT
CONN

Documents

Product Drawings

[MOD HRZ 100CL/115TN/140 POS](#)

English

CAD Files

[3D PDF](#)

3D

Customer View Model

[ENG_CVM_CVM_102953-4_K.2d_dxf.zip](#)

English

Customer View Model

[ENG_CVM_CVM_102953-4_K.3d_igs.zip](#)

English

Customer View Model

[ENG_CVM_CVM_102953-4_K.3d_stp.zip](#)

English

Datasheets & Catalog Pages

[Products for Aerospace and Defense](#)

English