



Connectors > PCB Connectors > Wire-to-Board Connectors > Wire-to-Board Connector Assemblies & Housings



Connector Product Type: **Housing**

Connector & Housing Type: **Receptacle**

Connector System: **Wire-to-Board**

Number of Positions: **10**

Centerline (Pitch): **2.54 mm [.1 in]**

Features

Product Type Features

Connector Product Type	Housing
Connector & Housing Type	Receptacle
Connector System	Wire-to-Board
Connector & Contact Terminates To	Wire & Cable

Configuration Features

Number of Positions	10
Number of Rows	1

Electrical Characteristics

Termination Resistance	12 mΩ
Insulation Resistance	5000 MΩ
Dielectric Withstanding Voltage (Max)	750 V
Operating Voltage	250 VAC

Contact Features

Contact Layout	Inline
Contact Type	Socket
Contact Base Material	Beryllium Copper
Contact Current Rating (Max)	3 A

Termination Features



Termination Method to Wire & Cable	Crimp
------------------------------------	-------

Mechanical Attachment

Strain Relief	Without
Mating Retention Type	Detent Latching
Mating Retention	With

Housing Features

Housing Entry Configuration	Both Ends Closed
Housing Material	Nylon - GF
Centerline (Pitch)	2.54 mm [.1 in]
Housing Color	Black

Dimensions

Connector Length	25.4 mm [1 in]
Connector Height	4.62 mm [.182 in]

Usage Conditions

Operating Temperature Range	-65 – 105 °C [-85 – 221 °F]
-----------------------------	-----------------------------

Operation/Application

Circuit Application	Signal
---------------------	--------

Industry Standards

Glow Wire Rating	Standard Part - Not Glow Wire
Approved Standards	CSA LR7189, UL E28476
UL Flammability Rating	UL 94V-0

Packaging Features

Packaging Quantity	1
Packaging Method	Package

Product Compliance

[For compliance documentation, visit the product page on TE.com>](#)

EU RoHS Directive 2011/65/EU	Compliant
EU ELV Directive 2000/53/EC	Compliant
China RoHS 2 Directive MIIT Order No 32, 2016	No Restricted Materials Above Threshold
EU REACH Regulation (EC) No. 1907/2006	Current ECHA Candidate List: JAN 2022 (223)



Candidate List Declared Against: JAN 2022
(223)

Does not contain REACH SVHC

Halogen Content

Out of Scope - excluded from Halogen requirements

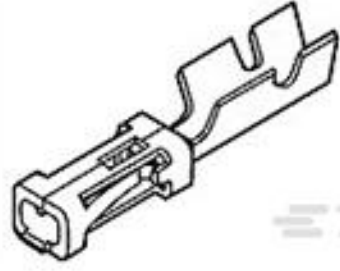
Solder Process Capability

Not applicable for solder process capability

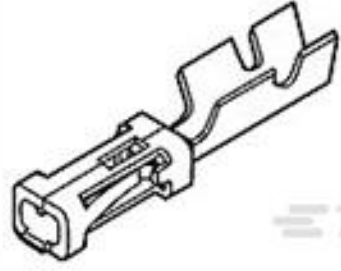
Product Compliance Disclaimer

This information is provided based on reasonable inquiry of our suppliers and represents our current actual knowledge based on the information they provided. This information is subject to change. The part numbers that TE has identified as EU RoHS compliant have a maximum concentration of 0.1% by weight in homogenous materials for lead, hexavalent chromium, mercury, PBB, PBDE, DBP, BBP, DEHP, DIBP, and 0.01% for cadmium, or qualify for an exemption to these limits as defined in the Annexes of Directive 2011/65/EU (RoHS2). Finished electrical and electronic equipment products will be CE marked as required by Directive 2011/65/EU. Components may not be CE marked. Additionally, the part numbers that TE has identified as EU ELV compliant have a maximum concentration of 0.1% by weight in homogenous materials for lead, hexavalent chromium, and mercury, and 0.01% for cadmium, or qualify for an exemption to these limits as defined in the Annexes of Directive 2000/53/EC (ELV). Regarding the REACH Regulation, the information TE provides on SVHC in articles for this part number is based on the latest European Chemicals Agency (ECHA) 'Guidance on requirements for substances in articles' posted at this URL: <https://echa.europa.eu/guidance-documents/guidance-on-reach>

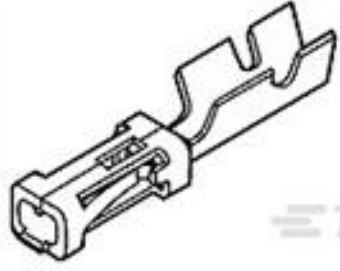
Compatible Parts



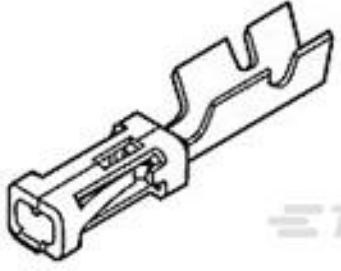
TE Part # 87666-2
MOD IV RECP PLTD 30 SEL



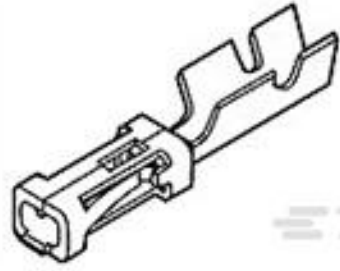
TE Part # 6-87756-7
MOD IV REC STP INT'L SPEC REEL



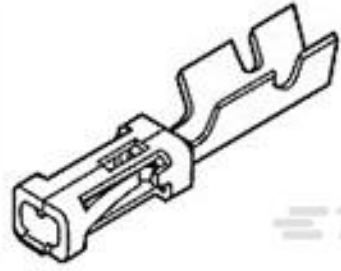
TE Part # 87756-6
MOD IV RECP PLTD SN



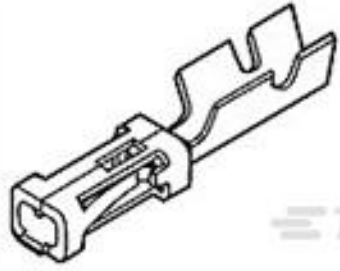
TE Part # 2-87195-4
MOD IV RECP PLTE 15 DPLX



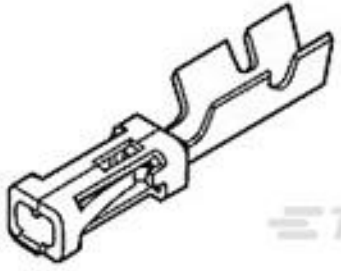
TE Part # 87809-1
MOD V RECP PLTD 30 AU



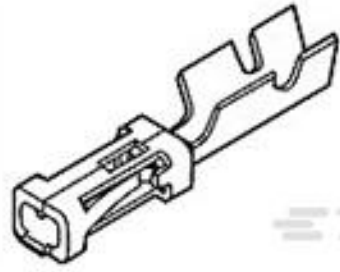
TE Part # 6-87756-2
MOD IV RECP PLTD 15 DPLX LF



TE Part # 87309-9
MOD V RECP PLTD 30 AU



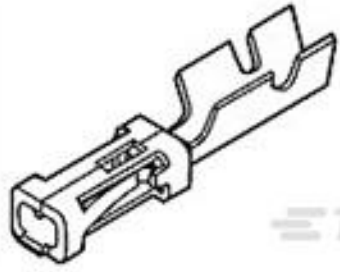
TE Part # 102917-5
MOD IV RECP PLTD 15 SEL



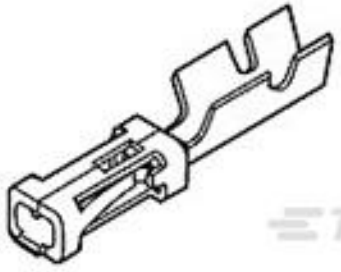
TE Part # 87523-5
MOD IV RECP PLTD SN



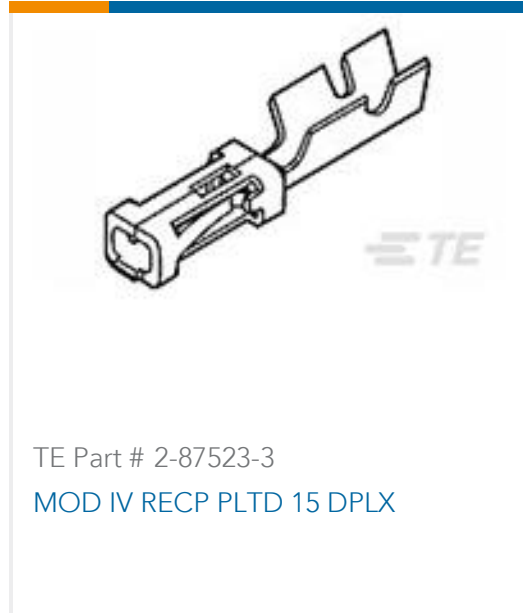
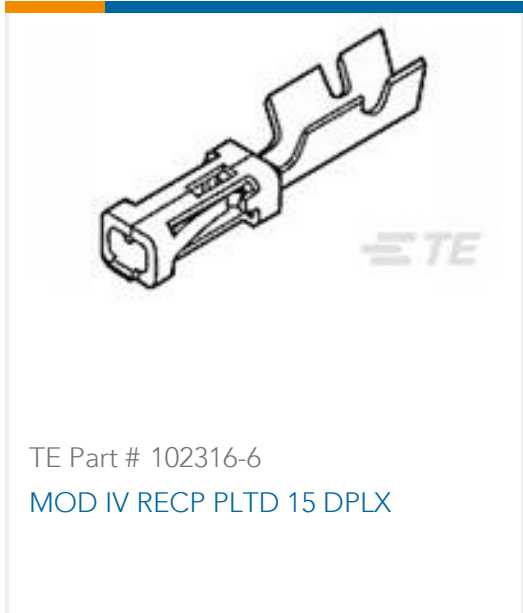
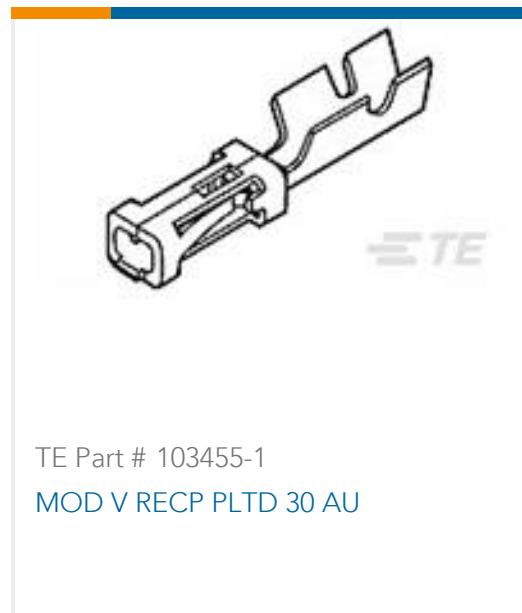
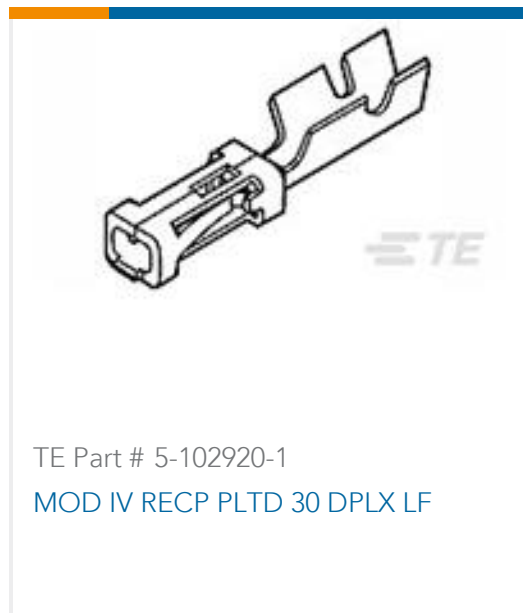
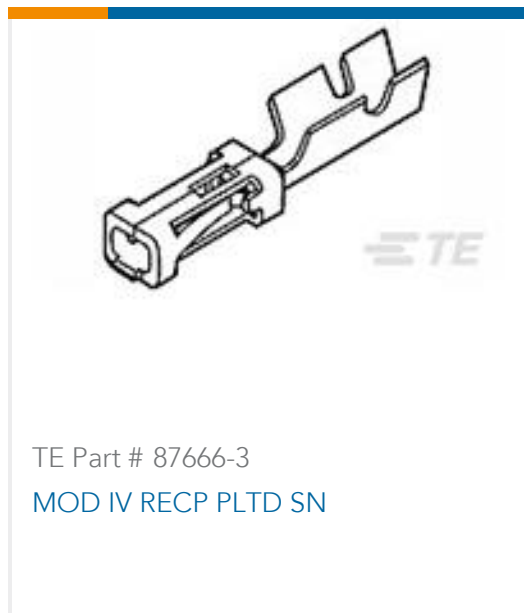
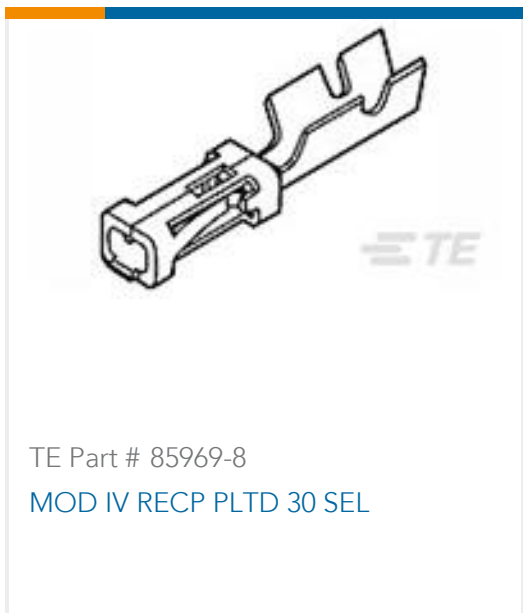
TE Part # 102548-5
MOD IV RECP PLTD 30 SEL



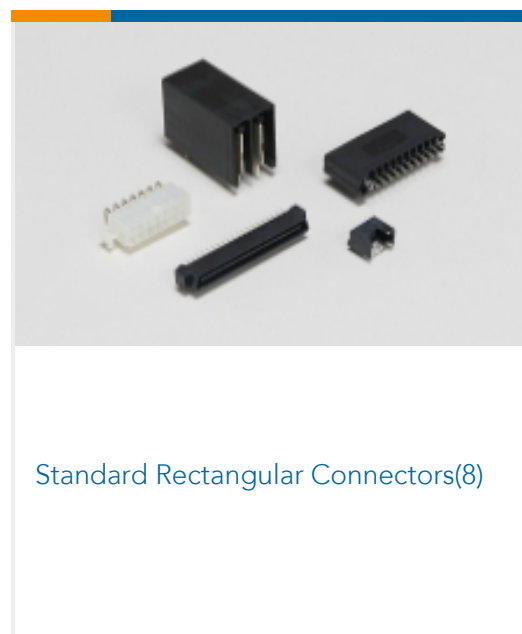
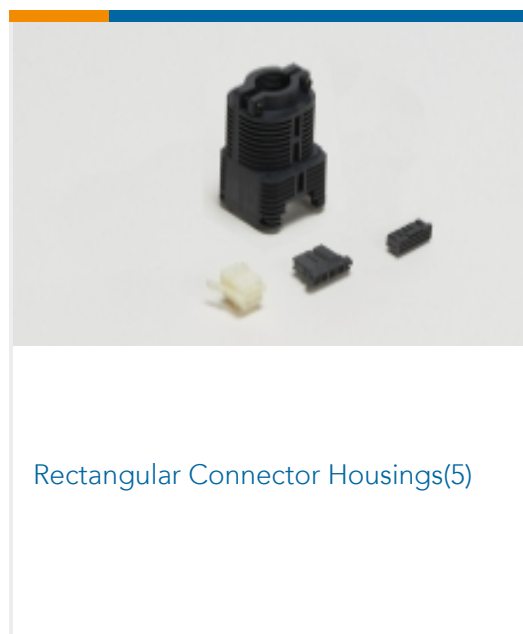
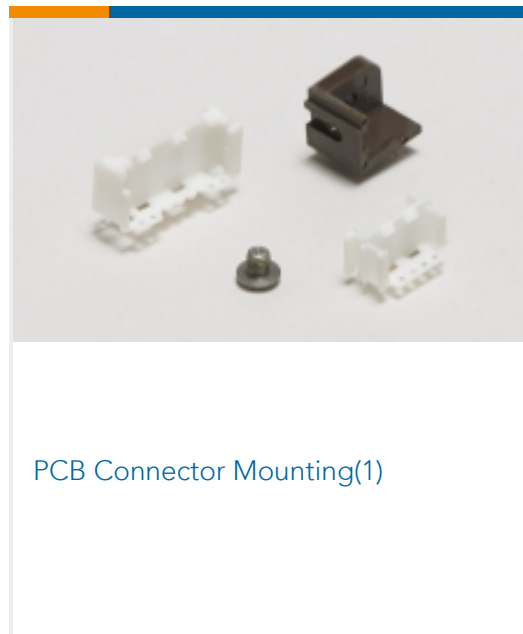
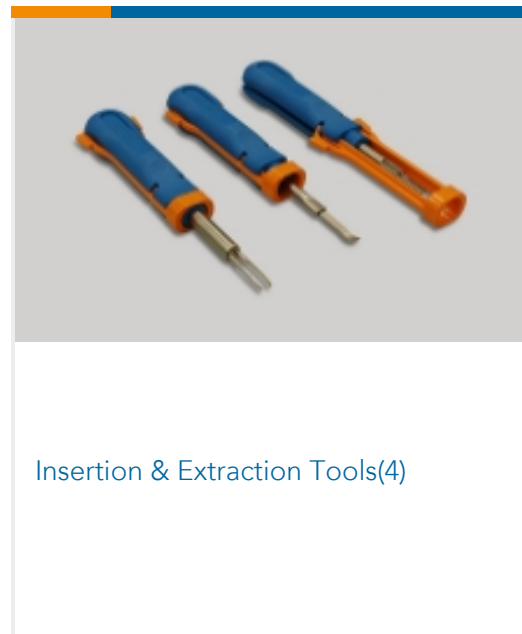
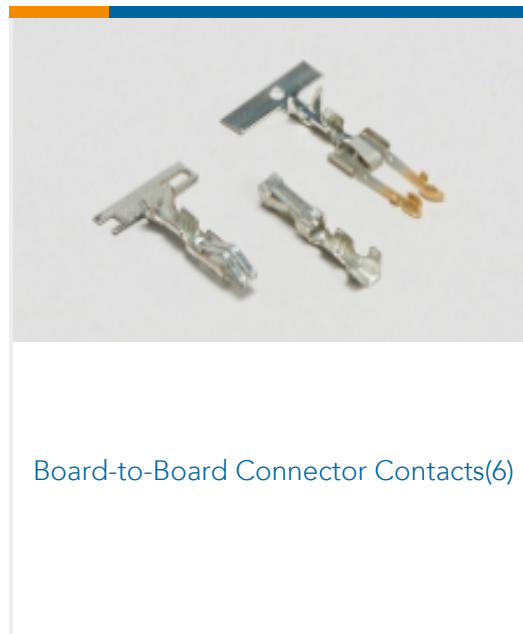
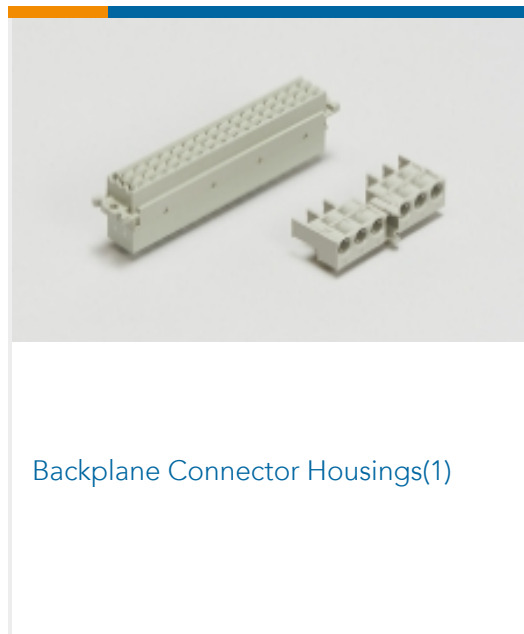
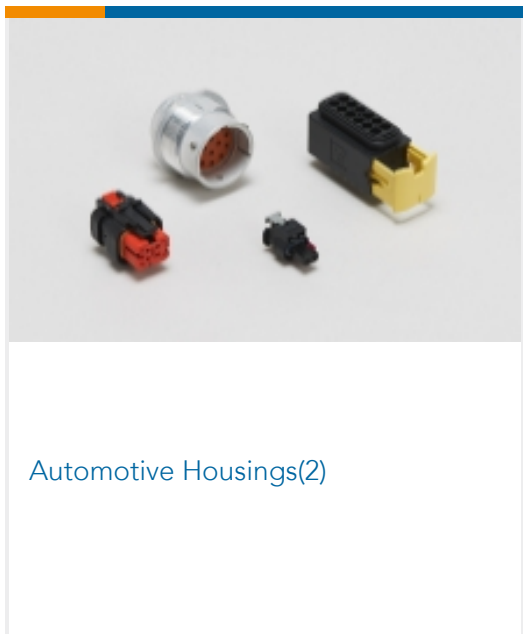
TE Part # 87309-8
MOD V RECP PLTD SN

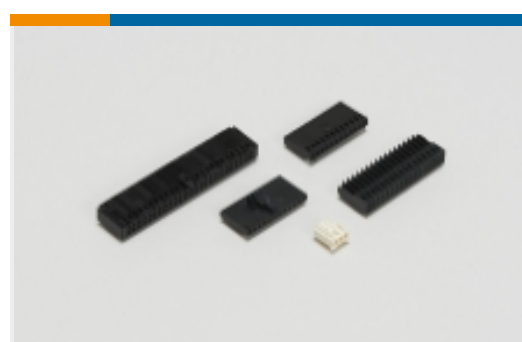


TE Part # 5-103171-4
MOD IV RECP PLTD 30 DPLX LF



Also in the Series | AMPMODU IV/V



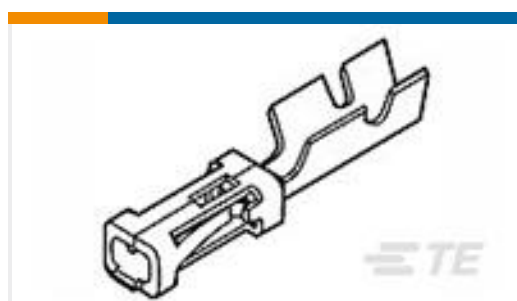
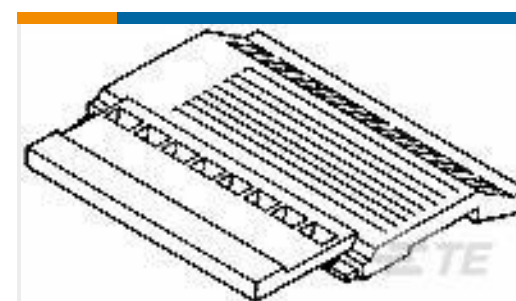
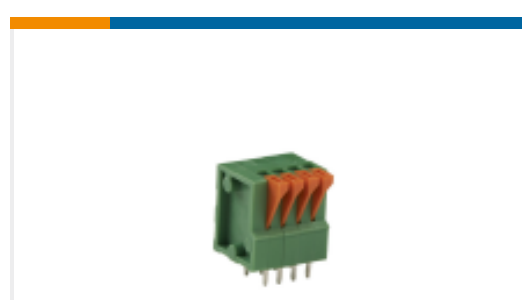
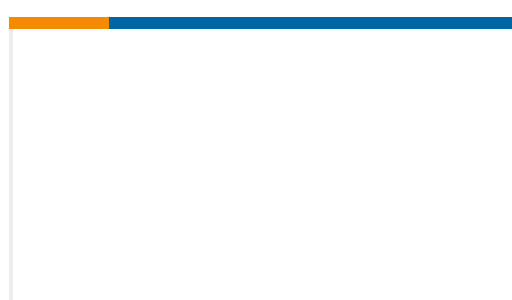
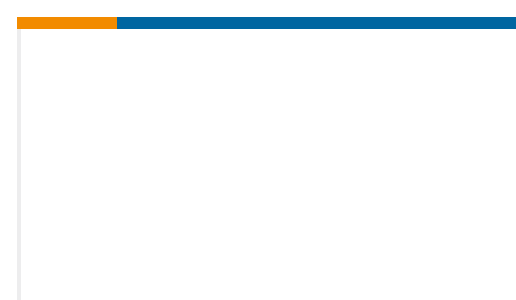


Wire-to-Board Connector Assemblies & Housings(473)



Wire-to-Board Connector Contacts (328)

Customers Also Bought

TE Part #9-2176070-9
3521 120K 1% 2WTE Part #2-87195-4
MOD IV RECP PLTE 15 DPLXTE Part #102398-4
12 AMPMODU MT ASSY DR .100CLTE Part #102540-4
12 AMPMODU MT COVER DR .100CLTE Part #1-2834015-4
4POS 2.54MM TES CONN.TE Part #5-1437508-0
8059-2G9=TO5 PC SOCKET 230 GOLTE Part #CT52383001
ASC109418ACK0385TE Part #3-1768396-4
LBF-S1B3233601-01

Documents

Product Drawings

10 MODIV HSG COMP SR .100 POL

English

CAD Files

3D PDF

3D

Customer View Model

[ENG_CVM_CVM_102241-8_AE.2d_dxf.zip](#)

English

Customer View Model

[ENG_CVM_CVM_102241-8_AE.3d_igs.zip](#)

English

Customer View Model

[ENG_CVM_CVM_102241-8_AE.3d_stp.zip](#)

English

By downloading the CAD file I accept and agree to the [Terms and Conditions](#) of use.



Datasheets & Catalog Pages

[AMP MODU IV & V Section of Catalog 1307819](#)

English

[AMPMODU_INTERCONNECTION_SYSTEM_SECTION5_CONT](#)

English

[1-1773720-9_AMPMODU_MOD_IV_V_QRG](#)

English

Product Specifications

[Product Specification](#)

English