

102241-1 ✓ ACTIVE

AMPMODU | AMPMODU IV/V

TE Internal #: 102241-1

Housing, Receptacle, Wire-to-Board, 3 Position, 2.54 mm [.1 in]  
Centerline, Crimp, 1 Row, Black, Mating Retention, Wire & Cable,  
Signal, AMPMODU IV/V

[View on TE.com >](#)



Connectors > PCB Connectors > Wire-to-Board Connectors > Wire-to-Board Connector Assemblies & Housings



Connector Product Type: **Housing**

Connector & Housing Type: **Receptacle**

Connector System: **Wire-to-Board**

Number of Positions: **3**

Centerline (Pitch): **2.54 mm [.1 in]**

## Features

### Product Type Features

Connector Product Type	Housing
Connector & Housing Type	Receptacle
Connector System	Wire-to-Board
Connector & Contact Terminates To	Wire & Cable

### Configuration Features

Number of Positions	3
Number of Rows	1

### Electrical Characteristics

Termination Resistance	12 mΩ
Insulation Resistance	5000 MΩ
Dielectric Withstanding Voltage (Max)	750 V
Operating Voltage	250 VAC

### Contact Features

Contact Layout	Inline
Contact Type	Socket
Contact Base Material	Beryllium Copper
Contact Current Rating (Max)	3 A

### Termination Features



Termination Method to Wire & Cable	Crimp
------------------------------------	-------

### Mechanical Attachment

Strain Relief	Without
Mating Retention Type	Detent Latching
Mating Retention	With

### Housing Features

Housing Entry Configuration	Both Ends Closed
Housing Material	Nylon - GF
Centerline (Pitch)	2.54 mm [.1 in]
Housing Color	Black

### Dimensions

Connector Length	7.6 mm [.3 in]
Connector Height	4.62 mm [.182 in]

### Usage Conditions

Operating Temperature Range	-65 – 105 °C [-85 – 221 °F]
-----------------------------	-----------------------------

### Operation/Application

Circuit Application	Signal
---------------------	--------

### Industry Standards

Glow Wire Rating	Standard Part - Not Glow Wire
Approved Standards	CSA LR7189, UL E28476
UL Flammability Rating	UL 94V-0

### Packaging Features

Packaging Quantity	1
Packaging Method	Package

### Product Compliance

[For compliance documentation, visit the product page on TE.com>](#)

EU RoHS Directive 2011/65/EU	Compliant
EU ELV Directive 2000/53/EC	Compliant
China RoHS 2 Directive MIIT Order No 32, 2016	No Restricted Materials Above Threshold
EU REACH Regulation (EC) No. 1907/2006	Current ECHA Candidate List: JAN 2022 (223)



Candidate List Declared Against: JAN 2022  
(223)

Does not contain REACH SVHC

Halogen Content

Out of Scope - excluded from Halogen requirements

Solder Process Capability

Not applicable for solder process capability

Product Compliance Disclaimer

This information is provided based on reasonable inquiry of our suppliers and represents our current actual knowledge based on the information they provided. This information is subject to change. The part numbers that TE has identified as EU RoHS compliant have a maximum concentration of 0.1% by weight in homogenous materials for lead, hexavalent chromium, mercury, PBB, PBDE, DBP, BBP, DEHP, DIBP, and 0.01% for cadmium, or qualify for an exemption to these limits as defined in the Annexes of Directive 2011/65/EU (RoHS2). Finished electrical and electronic equipment products will be CE marked as required by Directive 2011/65/EU. Components may not be CE marked. Additionally, the part numbers that TE has identified as EU ELV compliant have a maximum concentration of 0.1% by weight in homogenous materials for lead, hexavalent chromium, and mercury, and 0.01% for cadmium, or qualify for an exemption to these limits as defined in the Annexes of Directive 2000/53/EC (ELV). Regarding the REACH Regulation, the information TE provides on SVHC in articles for this part number is based on the latest European Chemicals Agency (ECHA) 'Guidance on requirements for substances in articles' posted at this URL: <https://echa.europa.eu/guidance-documents/guidance-on-reach>

### Compatible Parts



TE Part # 103414-1  
03 MODII HDR SRST SHRD .100CL



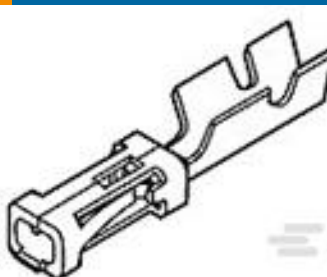
TE Part # 3-102203-4  
03 MODII HDR SRRA SHRD .100CL



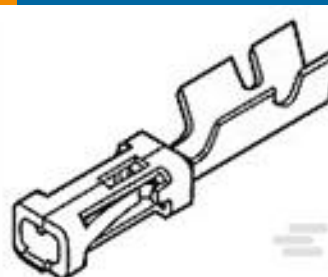
TE Part # 103361-1  
03 MODII HDR SRRA SHRD .100CL



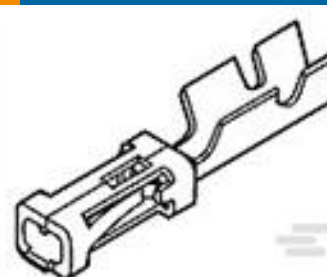
TE Part # 87666-2  
MOD IV RECP PLTD 30 SEL



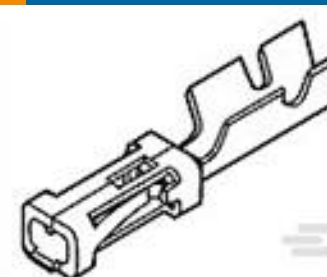
TE Part # 6-87756-7  
MOD IV REC STP INT'L SPEC REEL



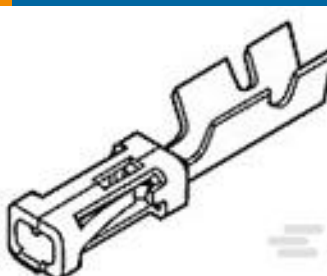
TE Part # 87756-6  
MOD IV RECP PLTD SN



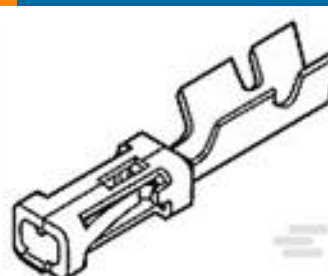
TE Part # 2-87195-4  
MOD IV RECP PLTE 15 DPLX



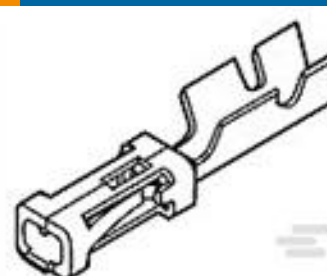
TE Part # 87809-1  
MOD V RECP PLTD 30 AU



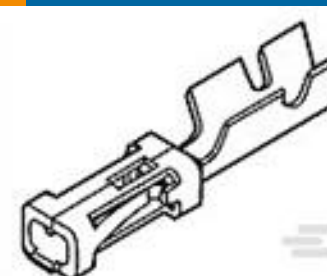
TE Part # 6-87756-2  
MOD IV RECP PLTD 15 DPLX LF



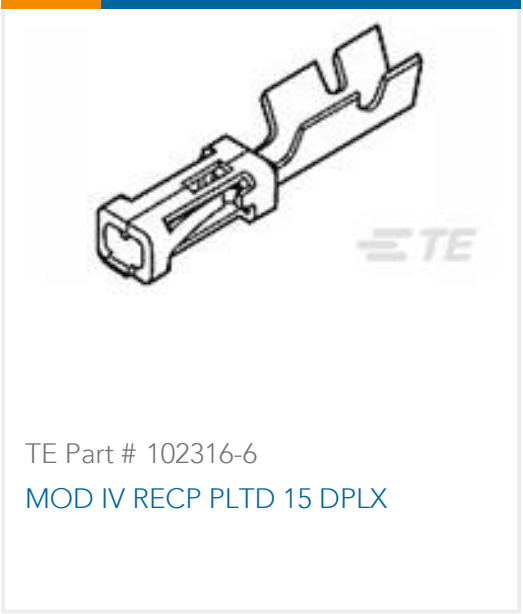
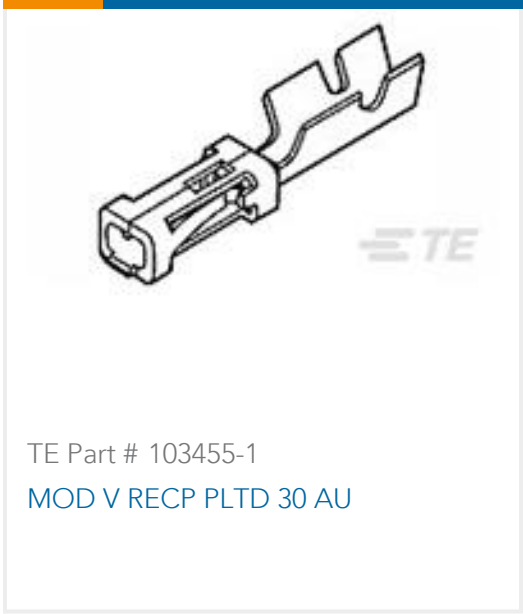
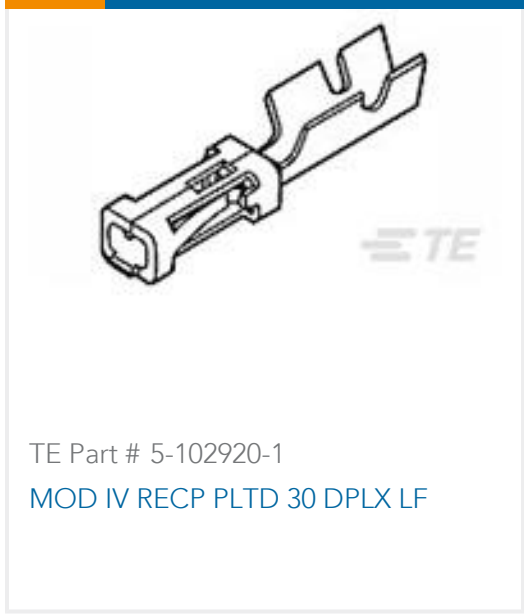
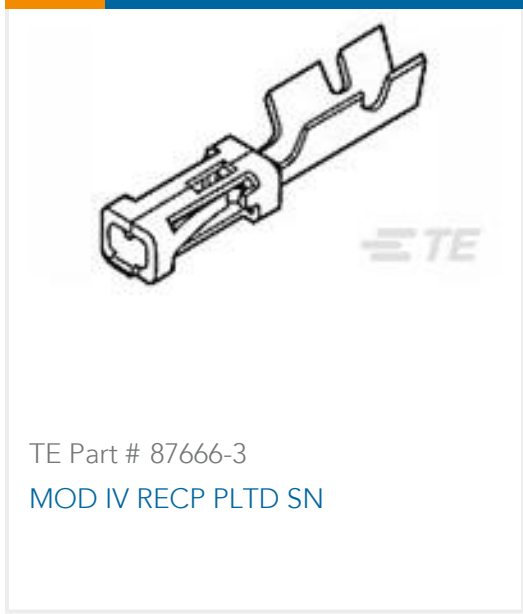
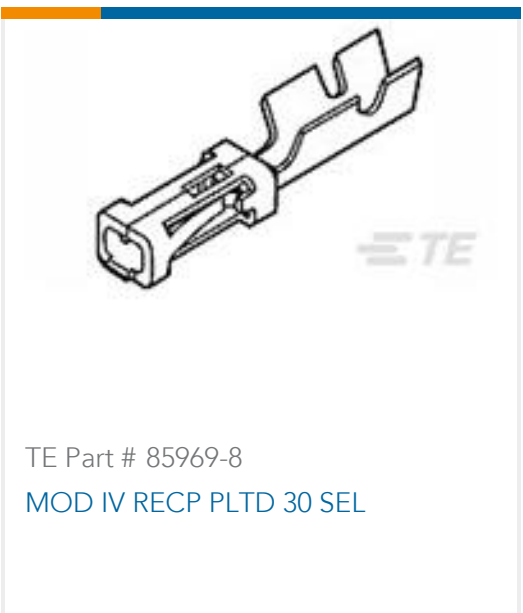
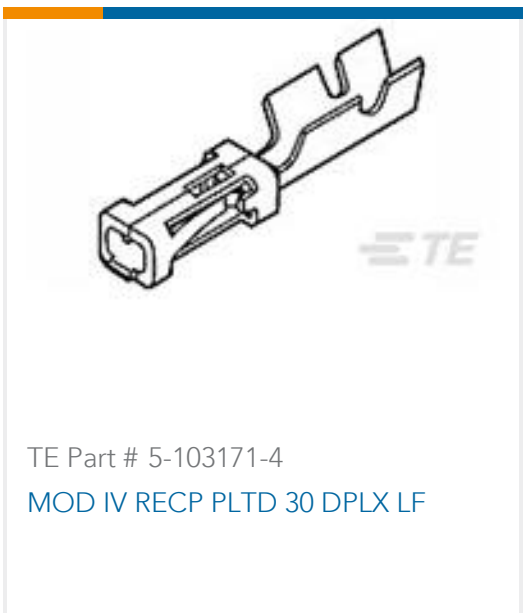
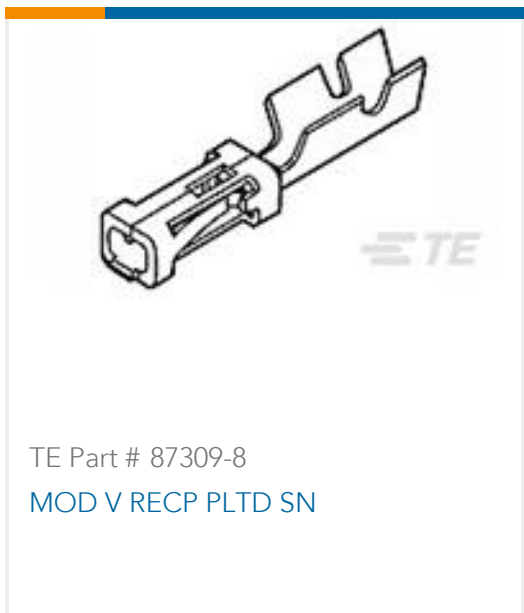
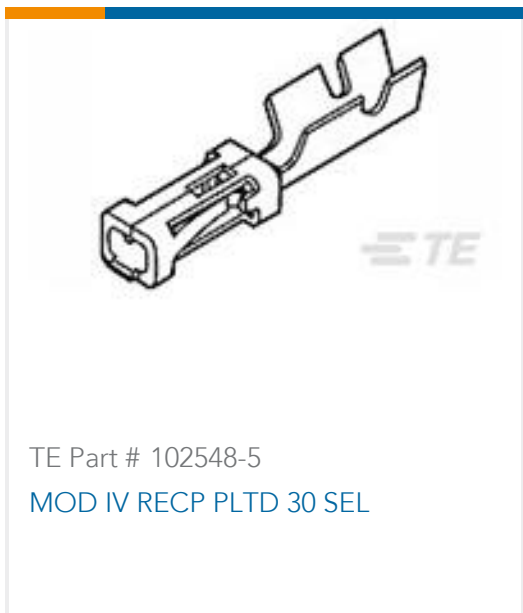
TE Part # 87309-9  
MOD V RECP PLTD 30 AU



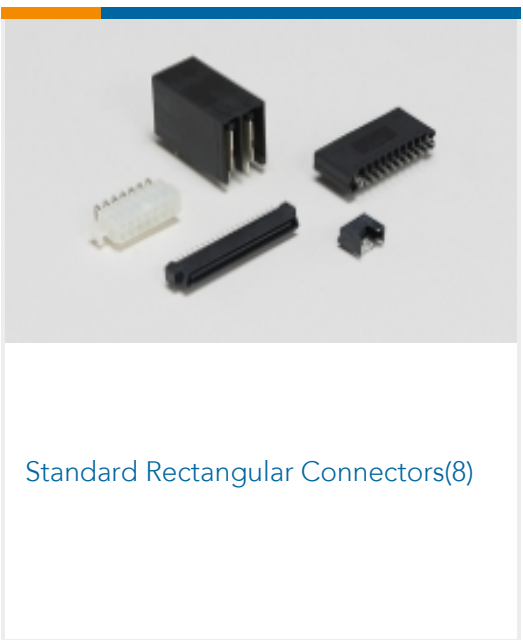
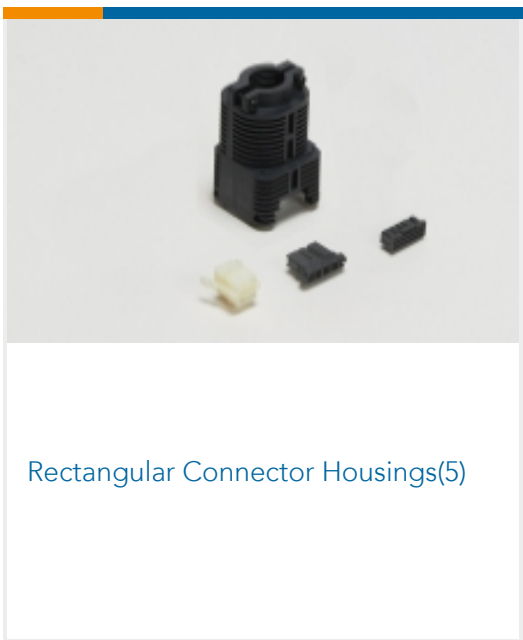
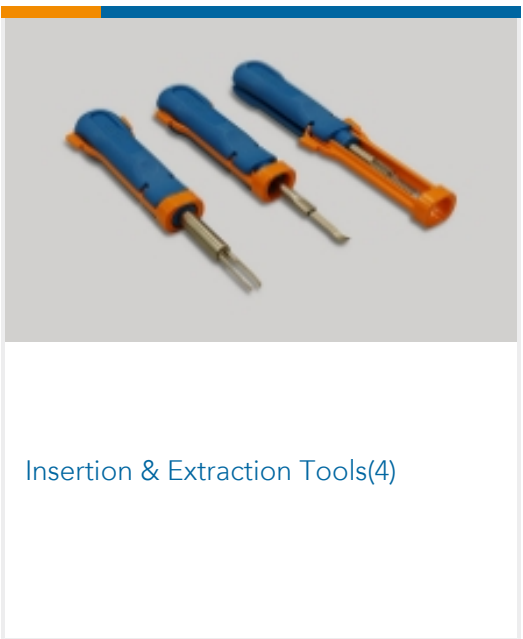
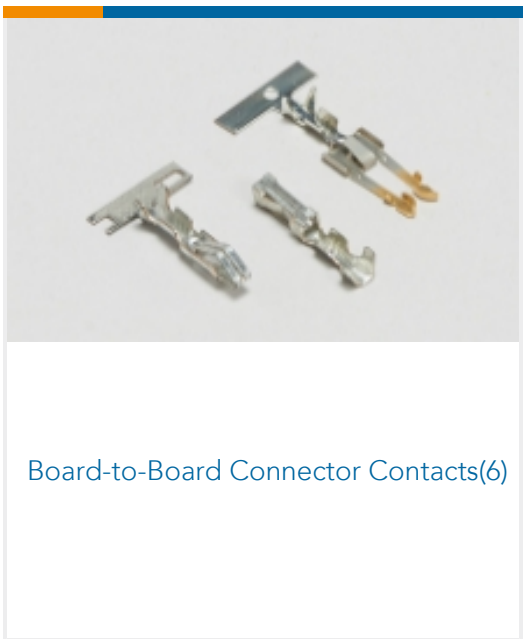
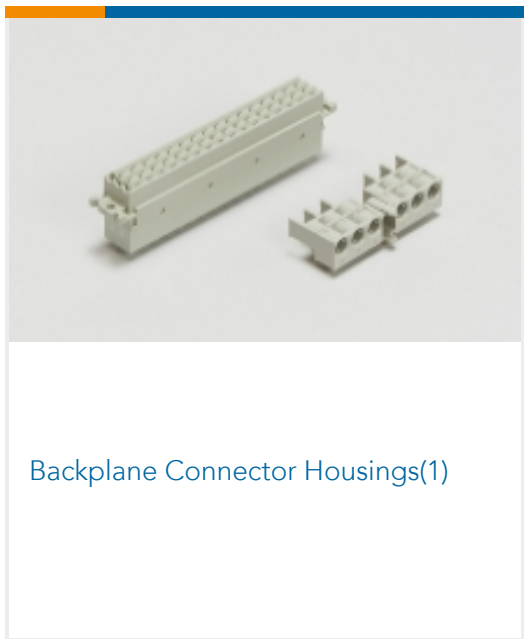
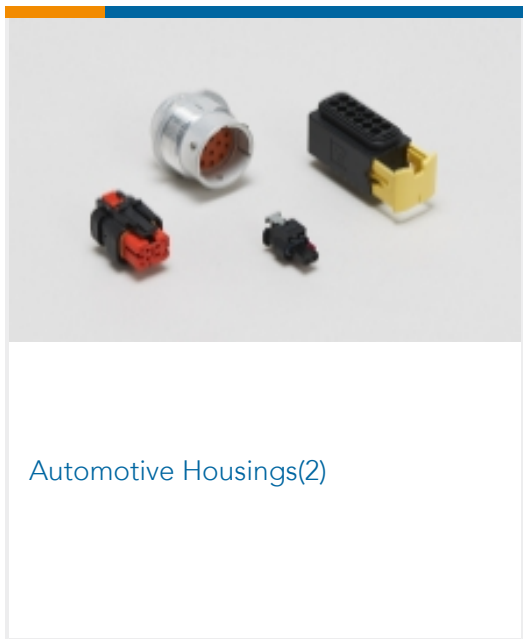
TE Part # 102917-5  
MOD IV RECP PLTD 15 SEL



TE Part # 87523-5  
MOD IV RECP PLTD SN



Also in the Series | AMPMODU IV/V





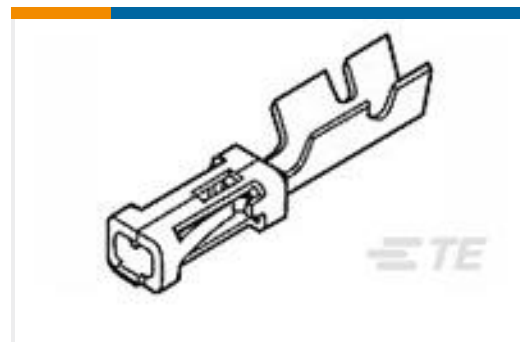


Wire-to-Board Connector Assemblies &amp; Housings(473)



Wire-to-Board Connector Contacts (328)

## Customers Also Bought

TE Part #102241-6  
08 MODIV HSG COMP SR .100 POLTE Part #167301-4  
MOD-4 REC.CONT.SCPTE Part #3-826942-2  
32P MOD2 STIFT LEITE Part #1676260-2  
RN 0805 237R 0.1% 10PPM 1KRLTE Part #6-1437562-8  
TT41NGPC9T1/4=SW TOGGLE 4  
POLE

## Documents

### Product Drawings

[03 MODIV HSG COMP SR .100 POL](#)

English

### CAD Files

[3D PDF](#)

3D

Customer View Model

[ENG\\_CVM\\_CVM\\_102241-1\\_AE.2d\\_dxf.zip](#)

English

Customer View Model

[ENG\\_CVM\\_CVM\\_102241-1\\_AE.3d\\_igs.zip](#)

English

Customer View Model

[ENG\\_CVM\\_CVM\\_102241-1\\_AE.3d\\_stp.zip](#)

English

By downloading the CAD file I accept and agree to the [Terms and Conditions](#) of use.



---

**Datasheets & Catalog Pages**

[AMPMODU\\_INTERCONNECTION\\_SYSTEM\\_SECTION5\\_CONT](#)

English

[1-1773720-9\\_AMPMODU\\_MOD\\_IV\\_V\\_ORG](#)

English

---

**Product Specifications**

[Product Specification](#)

English

---

**Product Environmental Compliance**

[MD\\_102241-1\\_032820181246\\_dmtec](#)

English

[MD\\_102241-1\\_032820181246\\_dmtec](#)

English