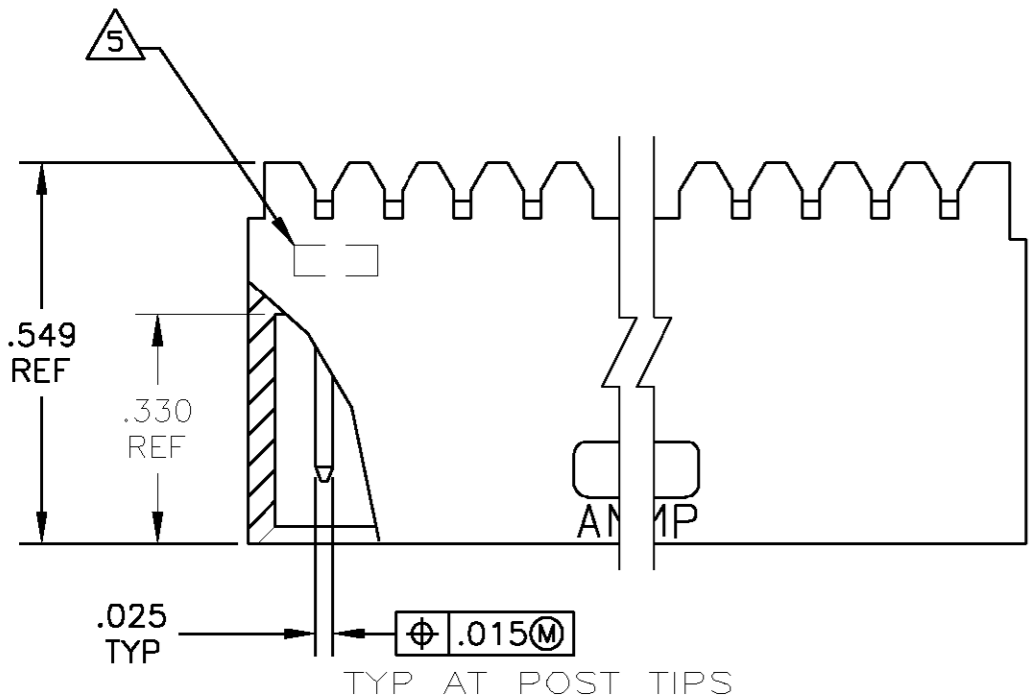
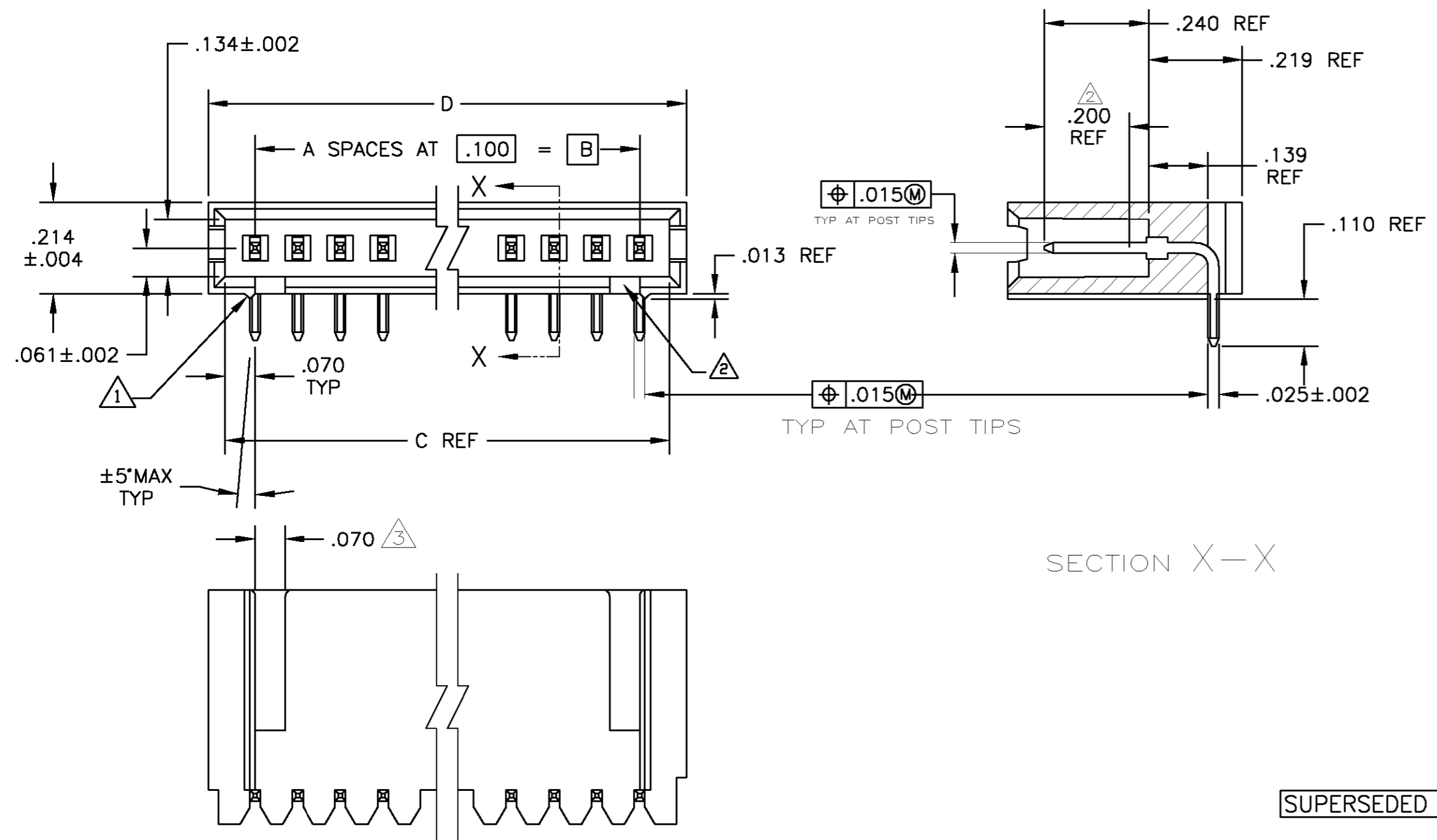


LOC		DIST		REVISIONS			
P	LTR	DESCRIPTION	DATE	DWN	APVD		
AD	39						
H		REV PER 0G3C-0289-00	18JUL00	BH	JG		

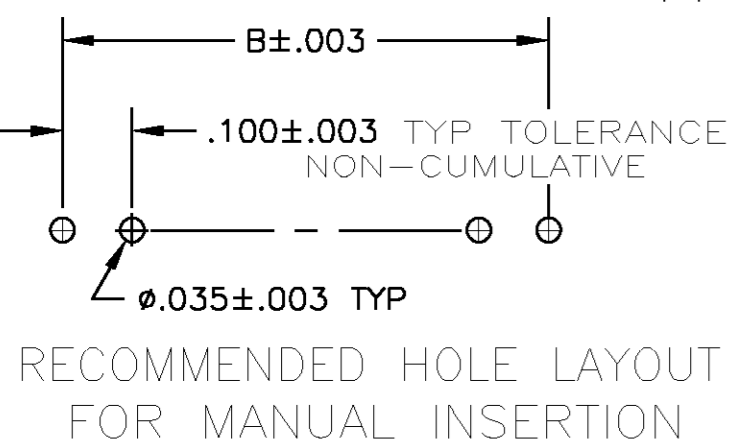


- 1 STANDOFFS: UP TO 9 POS-(2 REQD) ON THE OUTSIDE ENDS OF THE HOUSING  
 10 TO 19 POS-(3 REQD) TWO ON THE OUTSIDE ENDS AND ONE CENTERED ON THE HOUSING  
 19 POS AND LARGER-(4 REQD) TWO ON THE OUTSIDE ENDS AND TWO SPACED EVENLY WITHIN THE REMAINING LENGTH OF THE HOUSING
- 2 FOR 3 POSITION ONE SLOT, .215 WIDE.
- 3 .000100-.000200 TIN OVER .000050 NICKEL IN INDICATED AREA.

- 4 .000030 GOLD OVER .000050 NICKEL IN INDICATED AREA.
- 5 AMP LOGO MOLDED IN HOUSING. DATE CODE TO BE HOT EMBOSSED ON HOUSING. AMP PART NUMBER AND CUSTOMER PART NUMBER TO BE INK STAMPED WITH .062±.015 HIGH CHARACTERS.
- 6 HOUSING: FLAME RETARDANT THERMOPLASTIC, COLOR-BLACK. POST: PHOS-BRONZE.



SECTION X-X



RECOMMENDED HOLE LAYOUT FOR MANUAL INSERTION

	731W10331	.420	.340	.200	2	3	3-102369-4	
OBSOLETE	-	3.720	3.640	3.500	35	36	3-	-3
OBSOLETE	-	3.620	3.540	3.400	34	35	3-	-2
OBSOLETE	-	3.520	3.440	3.300	33	34	3-	-1
OBSOLETE	-	3.420	3.340	3.200	32	33	3-	-0
OBSOLETE	-	3.320	3.240	3.100	31	32	2-	-9
OBSOLETE	-	3.220	3.140	3.000	30	31	2-	-8
OBSOLETE	-	3.120	3.040	2.900	29	30	2-	-7
OBSOLETE	-	3.020	2.940	2.800	28	29	2-	-6
OBSOLETE	-	2.920	2.840	2.700	27	28	2-	-5
OBSOLETE	-	2.820	2.740	2.600	26	27	2-	-4
OBSOLETE	-	2.720	2.640	2.500	25	26	2-	-3
OBSOLETE	-	2.620	2.540	2.400	24	25	2-	-2
OBSOLETE	-	2.520	2.440	2.300	23	24	2-	-1
OBSOLETE	-	2.420	2.340	2.200	22	23	2-	-0
OBSOLETE	-	2.320	2.240	2.100	21	22	1-	-9
OBSOLETE	-	2.220	2.140	2.000	20	21	1-	-8
OBSOLETE	-	2.120	2.040	1.900	19	20	1-	-7
OBSOLETE	-	2.020	1.940	1.800	18	19	1-	-6
OBSOLETE	-	1.920	1.840	1.700	17	18	1-	-5
OBSOLETE	-	1.820	1.740	1.600	16	17	1-	-4
OBSOLETE	-	1.720	1.640	1.500	15	16	1-	-3
OBSOLETE	-	1.620	1.540	1.400	14	15	1-	-2
OBSOLETE	-	1.520	1.440	1.300	13	14	1-	-1
OBSOLETE	-	1.420	1.340	1.200	12	13	1-	-0
OBSOLETE	-	1.320	1.240	1.100	11	12		-9
OBSOLETE	-	1.220	1.140	1.000	10	11		-8
	731W11031	1.120	1.040	.900	9	10		-7
OBSOLETE	-	1.020	.940	.800	8	9		-6
OBSOLETE	731W10831	.920	.840	.700	7	8		-5
OBSOLETE	-	.820	.740	.600	6	7		-4
SUPERSEDED BY 103361-4	713W10631	.720	.640	.500	5	6		-3
	713E10531	.620	.540	.400	4	5		-2
SUPERSEDED BY 103361-2	713W10431	.520	.440	.300	3	4	102369-1	
	CUSTOMER PART NUMBER	D	C	B	A	NO OF POS	ASSEMBLY PART NUMBER	

THIS DRAWING IS A CONTROLLED DOCUMENT.

DWN: E. BRANDBURG 13-JAN-97  
 CHK: -  
 APVD: S. SHUEY 13-JAN-97

AMP Tyco Electronics Corporation  
 Harrisburg, PA 17105

ASSEMBLY, MOD II, HEADER, SINGLE ROW,  
 .100 C/L, RIGHT ANGLE, WITH .025 SQ POST

SIZE: A2 CAGE CODE: 00779 DRAWING NO: 102369 RESTRICTED TO: -  
 WEIGHT: -  
 CUSTOMER DRAWING SCALE: 4:1 SHEET: 1 OF 1 REV: H

- [Home](#)
- [Part Number Search](#)
- [Text Search](#)
- [Alternate Part Search](#)
- [Multiple Part Comparison](#)
- [Alphabetical Search](#)
- [Brand Search](#)
- [Industry Product Search](#)
- [Product Type Search](#)
- [Product Family Search](#)
- [Competitor Cross Reference](#)
- [Document Number Search](#)
- [Lead Free Solutions](#)
- [Help/Glossary](#)

<b>Current Brand View</b>	<a href="#">View All Tyco Electronics Brands</a> Click to activate links to all other products
<b>AMP</b>	

## AMPMODU

**.100 & .150 Centerline Through Hole Headers**

**Through Hole Headers**

**AMP 3-102369-4** -- 4 of 4 products

**Active** [Active](#)

**(Tyco Electronics P/N: 3-102369-4)**

<a href="#">Previous</a>	<a href="#">Sales Information</a>	<a href="#">AMP ACES</a>	<a href="#">Step Search Screen</a>
		<a href="#">Related Documents</a>	<a href="#">General Information</a>
		<a href="#">Pricing</a>	<a href="#">Product Availability</a>

**Please use the customer drawing for all design activity.**

- **Customer Drawing: 102369, Rev. H**  
Document Title: ASSEMBLY, MOD II, HEADER, SINGLE ROW,  
.100 C/L, RIGHT ANGLE, WITH .025 SQ POST

[210040.pdf](#) [210040.pdf](#) (66K)

*The photographs and/or line drawings below are representative images of a product for viewing purposes only.*

[Product Photo](#)

Searchable Features:	
Brand:	AMP
Header Type:	Shrouded
No. of Rows:	Single
No. of Positions:	3
Profile:	Standard
Mount Angle:	Right Angle
PCB Retention Feature:	Without
Surface Mount Compatible:	No
Contact Mating Area Plating:	Gold (30)
Board Standoff:	With

Other Properties:	
Centerline Spacing (mm [in]):	2.54 [.100]
Post Size (mm [in]):	0.64 [.025] Sq.
Contact Material:	Phosphor Bronze
Housing Material:	Thermoplastic
Contact Termination Area Plating:	Tin-Lead over Nickel
Gender:	Header
Housing Flammability Rating:	UL 94V-0

<b>Mounting Ears:</b>	Without
<b>Panel Attachment:</b>	No
<b>Mating Connector Lock:</b>	Without
<b>High Temperature Housing:</b>	No
<b>Housing Style:</b>	4-Sided
<b>High Speed Serial Data Connector:</b>	Yes
<b>Termination Post Length (mm [in]):</b>	2.79 [.110]

---

[Copyright](#) and [Privacy Statement](#)

Visit [Tyco International, Ltd.](#)

[Products](#) | [eCatalog](#) | [Brands](#) | [Industries](#) | [eCommerce](#) | [Customer Service](#) | [About](#) | [Home](#)