

103653-5 ✓ ACTIVE

AMPMODU | AMPMODU MTE

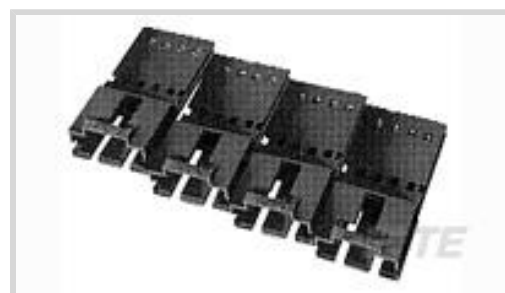
TE Internal #: 103653-5

Housing, Plug, Wire-to-Board, 6 Position, 2.54 mm [.1 in]  
Centerline, Crimp / Insulation Displacement (IDC), 1 Row, Black,  
AMPMODU MTE

[View on TE.com >](#)



Connectors > PCB Connectors > Wire-to-Board Connectors > Wire-to-Board Connector Assemblies & Housings



Connector Product Type: **Housing**

Connector & Housing Type: **Plug**

Connector System: **Wire-to-Board**

Number of Positions: **6**

Centerline (Pitch): **2.54 mm [.1 in]**

## Features

### Product Type Features

Connector Product Type	Housing
Connector & Housing Type	Plug
Connector System	Wire-to-Board
Sealable	No
Connector & Contact Terminates To	Wire & Cable

### Configuration Features

Number of Positions	6
Number of Rows	1

### Electrical Characteristics

Dielectric Withstanding Voltage (Max)	600 VACrms
Operating Voltage	250 VAC

### Contact Features

Contact Layout	Inline
Contact Type	Pin
Contact Base Material	Phosphor Bronze
Contact Current Rating (Max)	3 A

### Termination Features

Termination Method to Wire & Cable	Crimp, Insulation Displacement (IDC)
------------------------------------	--------------------------------------



### Mechanical Attachment

Mating Retention Type	Detent Latching
Mating Retention	With
Connector Mounting Type	Cable Mount (Free-Hanging)

### Housing Features

Housing Material	Thermoplastic
Centerline (Pitch)	2.54 mm [.1 in]
Housing Color	Black

### Dimensions

Connector Length	17.65 mm [.69 in]
Connector Height	6.6 mm [.26 in]
Row-to-Row Spacing	2.54 mm [.1 in]

### Usage Conditions

Operating Temperature Range	-65 – 105 °C [-85 – 221 °F]
-----------------------------	-----------------------------

### Operation/Application

Circuit Application	Signal
---------------------	--------

### Industry Standards

Glow Wire Rating	Standard Part - Not Glow Wire
UL Flammability Rating	UL 94V-0

### Packaging Features

Packaging Quantity	1
Packaging Method	Package

### Product Compliance

[For compliance documentation, visit the product page on TE.com>](#)

EU RoHS Directive 2011/65/EU	Compliant
EU ELV Directive 2000/53/EC	Compliant
China RoHS 2 Directive MIIT Order No 32, 2016	No Restricted Materials Above Threshold
EU REACH Regulation (EC) No. 1907/2006	Current ECHA Candidate List: JAN 2022 (223) Candidate List Declared Against: JAN 2022 (223) Does not contain REACH SVHC


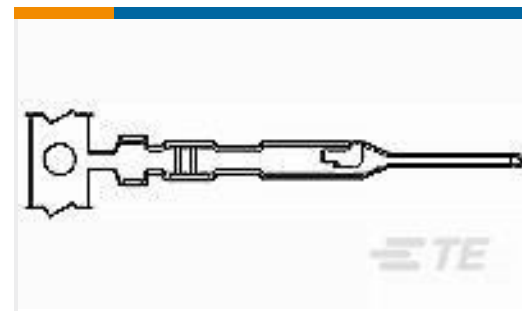
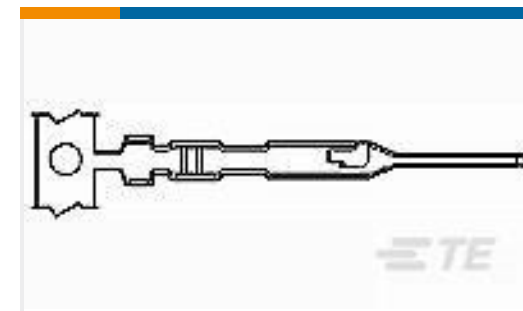
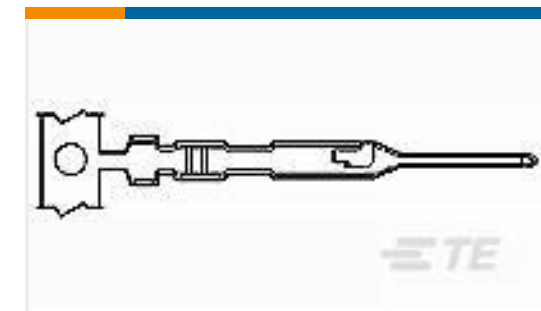

Halogen Content	Not Low Halogen - contains Br or Cl > 900 ppm.
-----------------	--

Solder Process Capability	Not applicable for solder process capability
---------------------------	--

**Product Compliance Disclaimer**

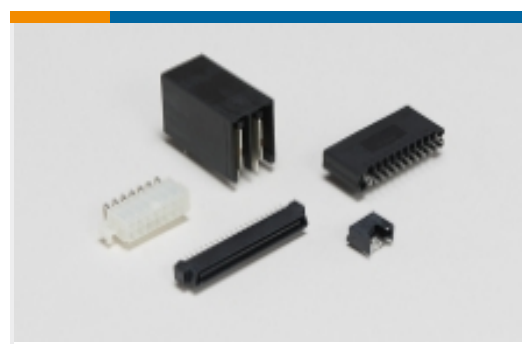
This information is provided based on reasonable inquiry of our suppliers and represents our current actual knowledge based on the information they provided. This information is subject to change. The part numbers that TE has identified as EU RoHS compliant have a maximum concentration of 0.1% by weight in homogenous materials for lead, hexavalent chromium, mercury, PBB, PBDE, DBP, BBP, DEHP, DIBP, and 0.01% for cadmium, or qualify for an exemption to these limits as defined in the Annexes of Directive 2011/65/EU (RoHS2). Finished electrical and electronic equipment products will be CE marked as required by Directive 2011/65/EU. Components may not be CE marked. Additionally, the part numbers that TE has identified as EU ELV compliant have a maximum concentration of 0.1% by weight in homogenous materials for lead, hexavalent chromium, and mercury, and 0.01% for cadmium, or qualify for an exemption to these limits as defined in the Annexes of Directive 2000/53/EC (ELV). Regarding the REACH Regulation, the information TE provides on SVHC in articles for this part number is based on the latest European Chemicals Agency (ECHA) 'Guidance on requirements for substances in articles' posted at this URL: <https://echa.europa.eu/guidance-documents/guidance-on-reach>

### Compatible Parts

 <p>TE Part # 104257-5 06 MTE RCPT HSG SR LATCH .100</p>	 <p>TE Part # 5-104506-4 MTE PIN 28-32 AWG PLTD</p>	 <p>TE Part # 5-104505-4 MTE PIN 22-26 AWG PLTD</p>	 <p>TE Part # 5-104505-2 MTE PIN 22-26 AWG PLTD</p>
 <p>TE Part # 5-103958-5 4X6 MTE RCPT SR LATCH .100CL</p>			

### Also in the Series | AMPMODU MTE

 <p>Insertion &amp; Extraction Tools(2)</p>	 <p>PCB Connector Shrouds(40)</p>	 <p>PCB Headers &amp; Receptacles(763)</p>	 <p>Ribbon Connector Accessories(1)</p>
--	---	---	--



Standard Rectangular Connectors(2)

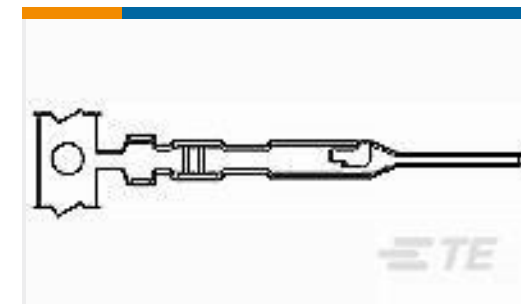
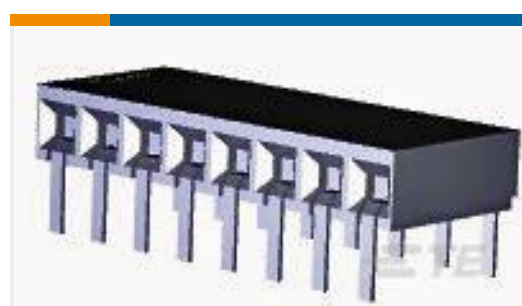
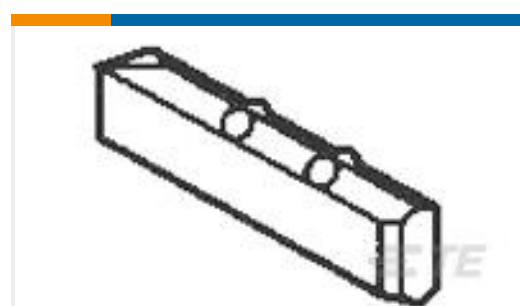
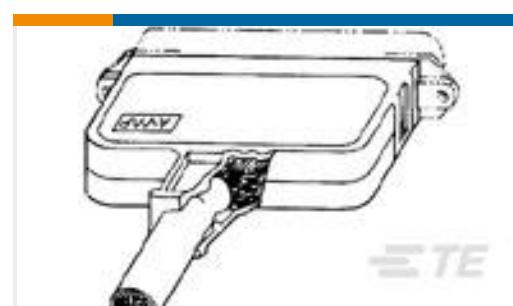


Wire-to-Board Connector Assemblies &amp; Housings(585)



Wire-to-Board Connector Contacts(32)

## Customers Also Bought

TE Part #103653-3  
04 MTE SHRD PIN HSG SR LATCHTE Part #103653-1  
02 MTE SHRD PIN HSG SR LATCHTE Part #60960-3  
250 FASTON FLAG REC 12-10 AWG  
TPBRTE Part #5-104505-4  
MTE PIN 22-26 AWG PLTDTE Part #5535676-7  
08 MODII HORZ SR CE 100CLTE Part #583274-1  
KEYING PLUGTE Part #2-552008-1  
KIT, COVER, 180, 50 POSTE Part #3-1617002-7  
B07B032BZ1-8001 = 07 10AMP REL

## Documents

### Product Drawings

#### 06 MTE SHRD PIN HSG SR LATCH

English

### CAD Files

#### 3D PDF

3D

#### Customer View Model

[ENG\\_CVM\\_CVM\\_103653-5\\_AM.2d\\_dxf.zip](#)

English

#### Customer View Model

[ENG\\_CVM\\_CVM\\_103653-5\\_AM.3d\\_igs.zip](#)

English

#### Customer View Model

[ENG\\_CVM\\_CVM\\_103653-5\\_AM.3d\\_stp.zip](#)

English

By downloading the CAD file I accept and agree to the [Terms and Conditions](#) of use.



---

### Datasheets & Catalog Pages

[AMP MODU MTE Section of Catalog 1307819](#)

English

[AMPMODU\\_INTERCONNECTION\\_SYSTEM\\_SECTION5\\_CONT](#)

English

[AMPMODU MTE INTERCONNECT SYSTEM](#)

English

---

### Product Specifications

[Application Specification](#)

English

---

### Product Environmental Compliance

[MD\\_103653-5\\_103120171033\\_dmtec](#)

English

[MD\\_103653-5\\_103120171033\\_dmtec](#)

English