



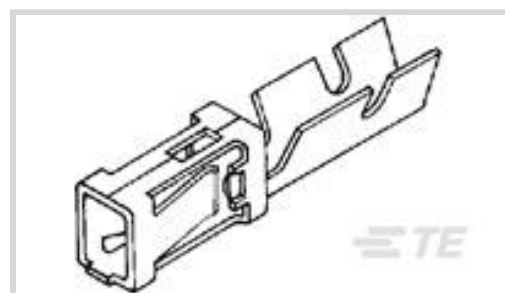
AMPMODU | AMPMODU MOD 1

TE Internal #: 102103-2

Connector Contact, Socket, Board-to-Board, .15 in [3.81 mm]  
Centerline, Gold, 22 – 18 AWG Wire Size, .3 – .9 mm<sup>2</sup> Wire Size,  
Straight, AMPMODU MOD 1

[View on TE.com >](#)

Connectors > PCB Connectors > Board-to-Board Connectors > Board-to-Board Connector Contacts



Contact Type: **Socket**

Connector System: **Board-to-Board**

Centerline (Pitch): **3.81 mm [ .15 in ]**

Contact Mating Area Plating Material: **Gold**

Wire Size: **22 – 18 AWG**

**Features**

**Product Type Features**

Applied Pressure	Standard
Connector System	Board-to-Board
Connector & Contact Terminates To	Wire & Cable

**Electrical Characteristics**

Dielectric Withstanding Voltage (Max)	1200 VAC
Insulation Resistance	5000 MΩ
Contact Resistance	12 mΩ

**Contact Features**

Contact Mating Area Plating Material Thickness	.762 μm[30 μin]
PCB Contact Termination Area Plating Material	Gold Flash
Contact Base Material	Phosphor Bronze
Contact Type	Socket
Contact Mating Area Plating Material	Gold
Contact Orientation	Straight
Contact Current Rating (Max)	5 A

**Mechanical Attachment**

Wire Insulation Support	With
PCB Mount Retention	Without



Connector Mounting Type	Board Mount
-------------------------	-------------

### Housing Features

Centerline (Pitch)	3.81 mm [.15 in]
--------------------	------------------

### Dimensions

Accepts Wire Insulation Diameter Range	1.3 – 2.29 mm [.051 – .09 in]
--	-------------------------------

Wire Size	.3 – .9 mm <sup>2</sup>
-----------	-------------------------

### Usage Conditions

Operating Temperature Range	-65 – 105 °C [-85 – 221 °F]
-----------------------------	-----------------------------

### Operation/Application

Circuit Application	Signal
---------------------	--------

### Packaging Features

Packaging Quantity	1000
--------------------	------

Packaging Method	Reel
------------------	------

### Other

Comment	Applicators also available for AMPOMATOR Lead Making Machines and Stripper/Crimper Machines. Consult AMP, Inc., Part No. 843473-1 is an extraction tool for the Crimp Snap-In contacts.
---------	---

## Product Compliance

[For compliance documentation, visit the product page on TE.com>](#)

EU RoHS Directive 2011/65/EU	Compliant
------------------------------	-----------

EU ELV Directive 2000/53/EC	Compliant
-----------------------------	-----------

China RoHS 2 Directive MIIT Order No 32, 2016	No Restricted Materials Above Threshold
---	---

EU REACH Regulation (EC) No. 1907/2006	Current ECHA Candidate List: JAN 2022 (223) Candidate List Declared Against: JAN 2022 (223) Does not contain REACH SVHC
--	---

Halogen Content	Low Halogen - Br, Cl, F, I < 900 ppm per homogenous material. Also BFR/CFR/PVC Free
-----------------	---

Solder Process Capability	Wave solder capable to 265°C
---------------------------	------------------------------

Product Compliance Disclaimer

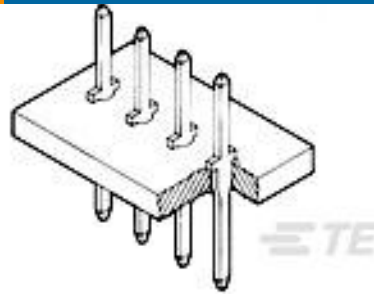


This information is provided based on reasonable inquiry of our suppliers and represents our current actual knowledge based on the information they provided. This information is subject to change. The part numbers that TE has identified as EU RoHS compliant have a maximum concentration of 0.1% by weight in homogenous materials for lead, hexavalent chromium, mercury, PBB, PBDE, DBP, BBP, DEHP, DIBP, and 0.01% for cadmium, or qualify for an exemption to these limits as defined in the Annexes of Directive 2011/65/EU (RoHS2). Finished electrical and electronic equipment products will be CE marked as required by Directive 2011/65/EU. Components may not be CE marked. Additionally, the part numbers that TE has identified as EU ELV compliant have a maximum concentration of 0.1% by weight in homogenous materials for lead, hexavalent chromium, and mercury, and 0.01% for cadmium, or qualify for an exemption to these limits as defined in the Annexes of Directive 2000/53/EC (ELV). Regarding the REACH Regulation, the information TE provides on SVHC in articles for this part number is based on the latest European Chemicals Agency (ECHA) 'Guidance on requirements for substances in articles' posted at this URL: <https://echa.europa.eu/guidance-documents/guidance-on-reach>

## Compatible Parts



TE Part # 843473-1  
EXTRACTION TOOL



TE Part # 1-86182-5  
MOD I POST LP



TE Part # 1-87258-0  
10 MODI HDR SRRA .156CL



TE Part # 87159-5  
04 MODI CRMP S-I HSG SR .156CL



TE Part # 1-87159-0  
10 MODI CRMP S-I HSG SR .156CL



TE Part # 87159-4  
03 MODI CRMP S-I HSG SR .156CL



TE Part # 1-87025-2  
12 MODI CRMP S-I HSG SR .156CL



TE Part # 1-87159-2  
12 MODI CRMP S-I HSG SR .156CL



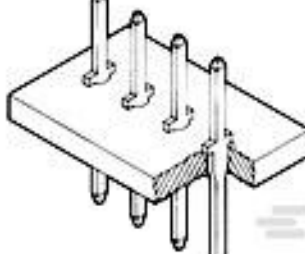
TE Part # 2-85829-0  
20 MODI HDR SRST .156CL



TE Part # 3-87025-0  
13 MODI CRMP S-I HSG SR .156CL



TE Part # 3-87025-8  
14 MODI CRMP S-I HSG SR .156CL



TE Part # 86182-8  
MOD I POST LP



TE Part # 87159-1  
05 MODI CRMP S-I HSG SR .156CL



TE Part # 87159-3  
02 MODI CRMP S-I HSG SR .156CL



TE Part # 87159-6  
06 MODI CRMP S-I HSG SR .156CL



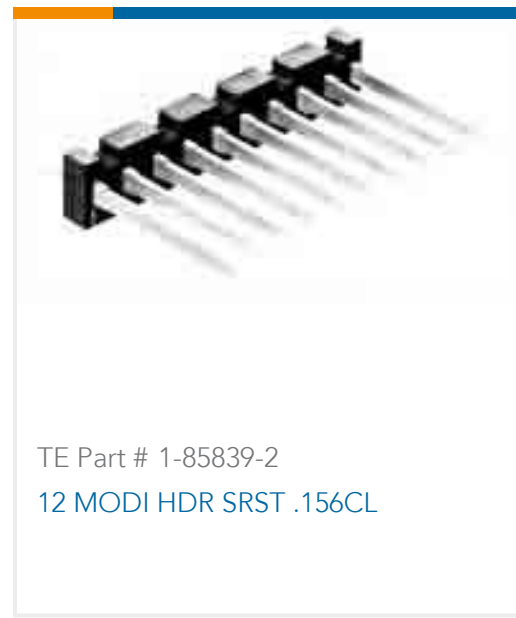
TE Part # 87159-7  
07 MODI CRMP S-I HSG SR .156CL



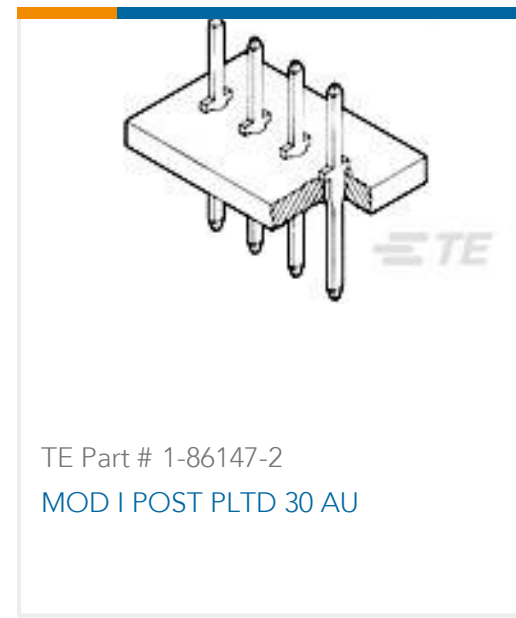
TE Part # 87159-8  
08 MODI CRMP S-I HSG SR .156CL



TE Part # 1-85829-0  
10 MODI HDR SRST .156CL

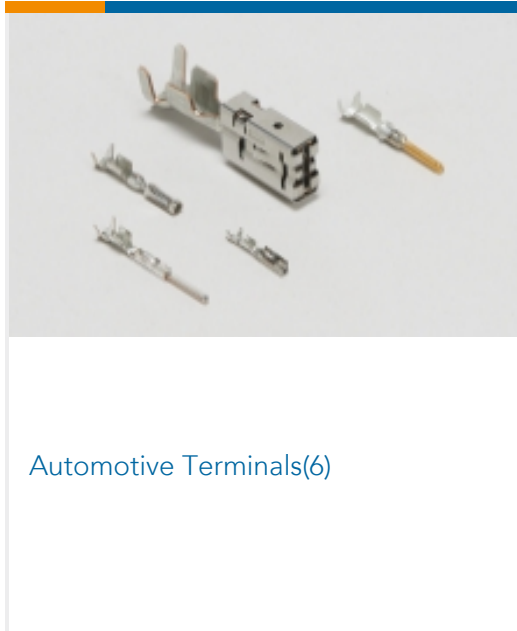


TE Part # 1-85839-2  
12 MODI HDR SRST .156CL



TE Part # 1-86147-2  
MOD I POST PLTD 30 AU

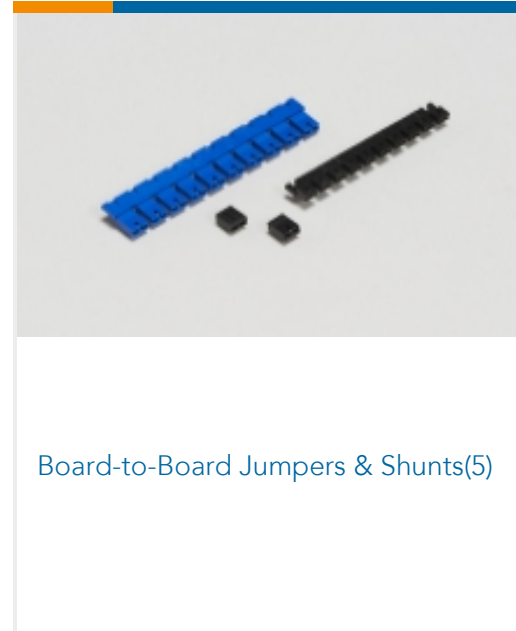
## Also in the Series | AMPMODU MOD 1



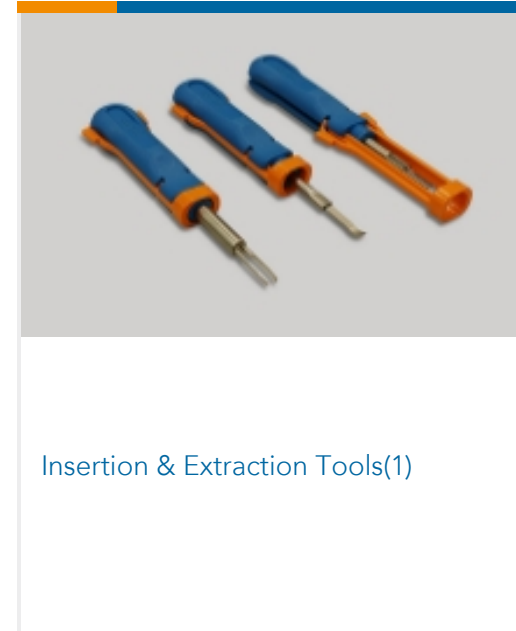
Automotive Terminals(6)



Board-to-Board Connector Contacts  
(104)



Board-to-Board Jumpers & Shunts(5)



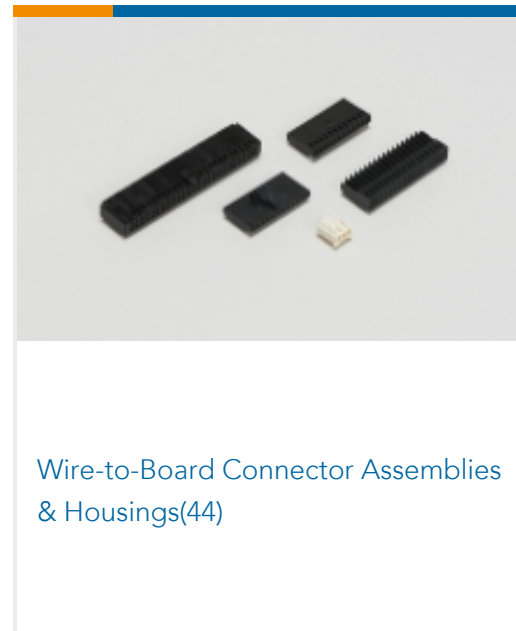
Insertion & Extraction Tools(1)



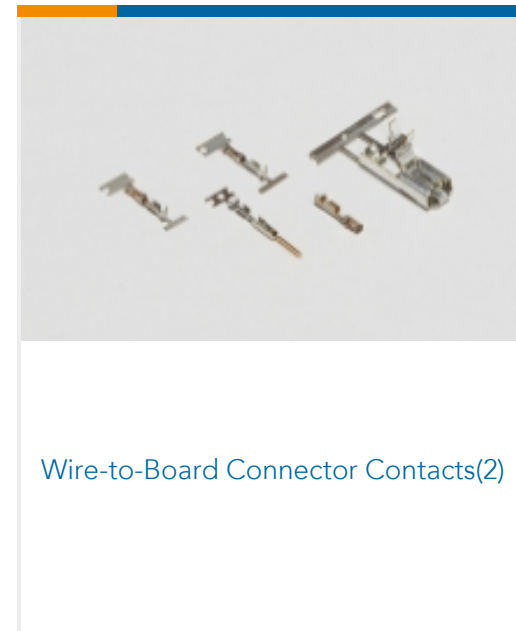
PCB Connector Keying(2)



PCB Headers & Receptacles(372)



Wire-to-Board Connector Assemblies  
& Housings(44)



Wire-to-Board Connector Contacts(2)  
& Housings(44)

## Customers Also Bought



TE Part #2-1625999-1  
HSC100 25R 5%



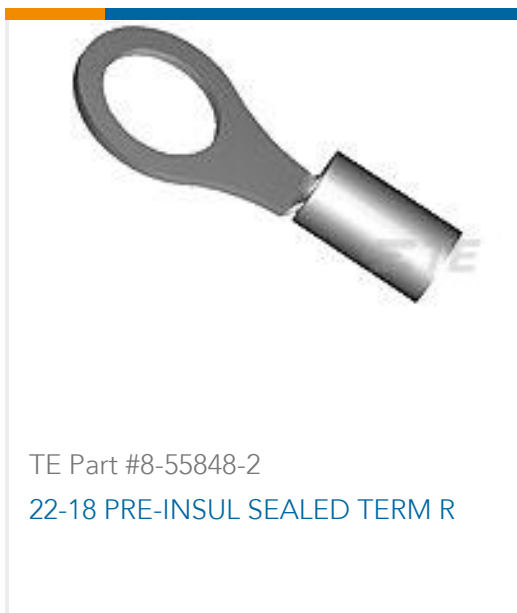
TE Part #8-53418-1  
TERMINAL,PIDG PVF2 R 16-14 10



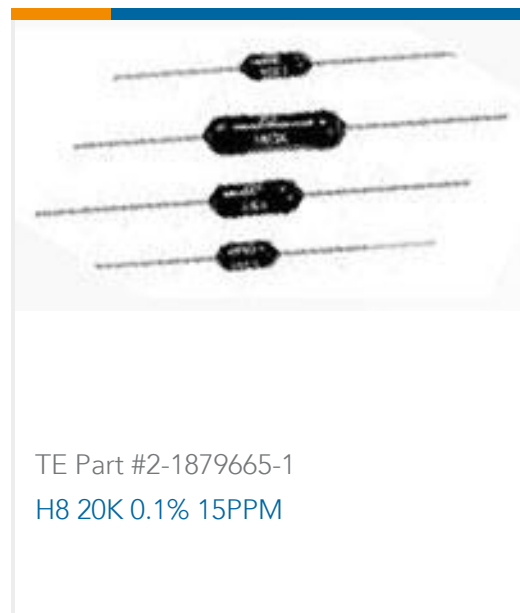
TE Part #1-480274-0  
09P CMNL PLUG HSG P/M NATL



TE Part #60617-6  
CMNL SOK AUPHBZ L/P



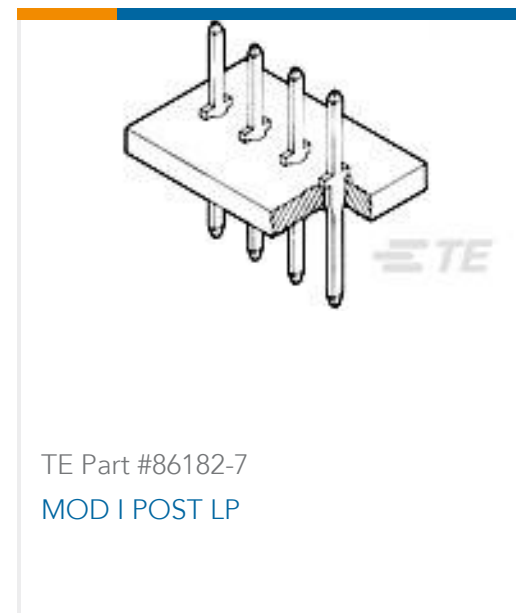
TE Part #8-55848-2  
22-18 PRE-INSUL SEALED TERM R



TE Part #2-1879665-1  
H8 20K 0.1% 15PPM



TE Part #1-87025-2  
12 MODI CRMP S-I HSG SR .156CL



TE Part #86182-7  
MOD I POST LP



## Documents

### CAD Files

#### 3D PDF

3D

#### Customer View Model

[ENG\\_CVM\\_CVM\\_102103-2\\_W.2d\\_dxf.zip](#)

English

#### Customer View Model

[ENG\\_CVM\\_CVM\\_102103-2\\_W.3d\\_igs.zip](#)

English

#### Customer View Model

[ENG\\_CVM\\_CVM\\_102103-2\\_W.3d\\_stp.zip](#)

English

By downloading the CAD file I accept and agree to the [Terms and Conditions](#) of use.

### Datasheets & Catalog Pages

[AMPMODU\\_INTERCONNECTION\\_SYSTEM\\_SECTION\\_6\\_7AND8](#)

English

### Product Specifications

[Application Specification](#)

English

[AMPMODU Mod I Receptacle Crimp Contact](#)

English

### Instruction Sheets

[Instruction Sheet \(U.S.\)](#)

English