

## FEATURES AND SPECIFICATIONS

### Features and Benefits

- Sizes 2 to 6 circuits
- Locking ramp
- Polarization through varied center spacing between circuits 1 and 2
- Plating options available (contact Molex)

### Reference Information

Packaging: Bag  
 UL File No.: E29179  
 CSA File No.: LR19980  
 Mates With: 5199-N housings  
 Designed In: Millimeters

### Electrical

Voltage: 250V  
 Current: 7.0A  
 Contact Resistance: 10mΩ max.  
 Dielectric Withstanding Voltage: 1500V AC/1 min.  
 Insulation Resistance: 1000 MΩ min.

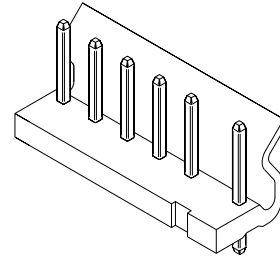
### Physical

Housing: 6/6 nylon, UL 94V-2  
 Contact: Brass, 1.14mm (.045") square  
 Plating: Tin  
 Operating Temperature: -40 to +105°C

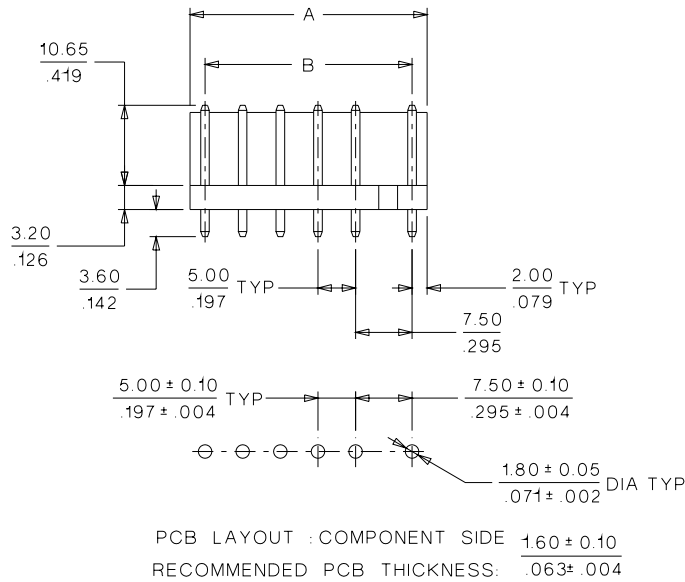
**molex**® **5.00mm (.197") Pitch**  
**SPOX™**  
**Header**

**5289-NA**

**Vertical**  
**Friction Lock**



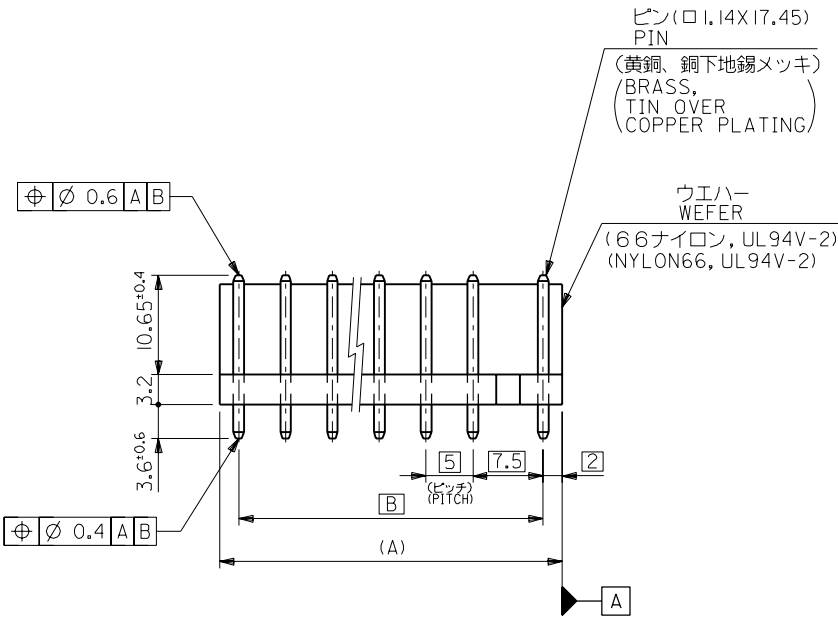
## CATALOG DRAWING (FOR REFERENCE ONLY)



**D**  
**3.00 to 7.92mm (.118 to .312") Pitch**

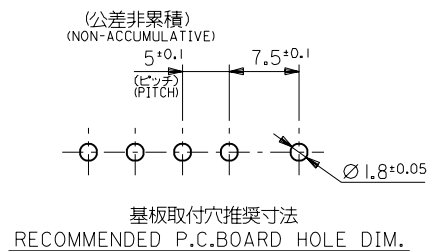
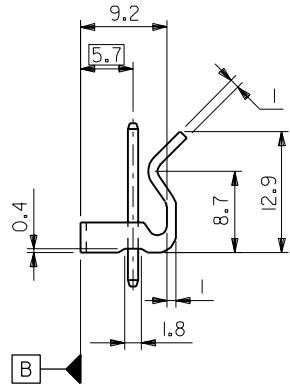
## ORDERING INFORMATION AND DIMENSIONS

Circuits	Order No.	Dimension	
		A	B
2	10-31-1028	11.50 (.453)	7.50 (.295)
3	10-31-1038	16.50 (.650)	12.50 (.492)
4	10-31-1048	21.50 (.846)	17.50 (.689)
5	10-31-1058	26.50 (1.043)	22.50 (.886)
6	10-31-1068	31.50 (1.240)	27.50 (1.083)



注記  
NOTE

1. ウエハーの反りは、長さ 25.4mm に対して最大 0.22mm  
CAMBER MUST BE WITHIN 0.22mmMAX. PER 25.4mm.



27.5	31.5	10-31-1068	5289-6A	6
22.5	26.5	10-31-1058	5289-5A	5
17.5	21.5	10-31-1048	5289-4A	4
12.5	16.5	10-31-1038	5289-3A	3
7.5	11.5	10-31-1028	5289-2A	2
B	(A)	EDP NO.	ENG. NO.	標数 CKTS.

材料 MATERIAL		図中参照 SEE DRAWING		MOLEX-JAPAN CO.,LTD. 日本モレックス株式会社	
仕上げ FINISH		— # —		REVISE ONLY ON CAD SYSTEM	
適用電線範囲 WIRE RANGE		— # —		TITLE 名称	
被覆外径 INS. RANGE		— # —		KK 5/7.5 WAFER ASS'Y WITH LOCK	
DRAWN BY '96/8/6 S.MATSUZAKI		CHK'D BY '96/8/7 Y.MIZUNO		DWG. NO.	
APP'D BY '96/8/7 M.FUKUSHIMA		尺度 SCALE 2-1		SD-5289-NA	
角 度 ANGLE ±3°		記号 LTR		REV E	
30 以上 OVER +0.3		変更及/再作図 REVISD & RETRAN (JC70150)		REV	
10 以上 30 未満 OVER UNDER +0.25		DR. / CHK. 日付 DATE		REV	
10 未満 UNDER +0.2		DR. / CHK. 日付 DATE		REV	
一般公差 GENERAL TOLERANCES		DR. / CHK. 日付 DATE		REV	