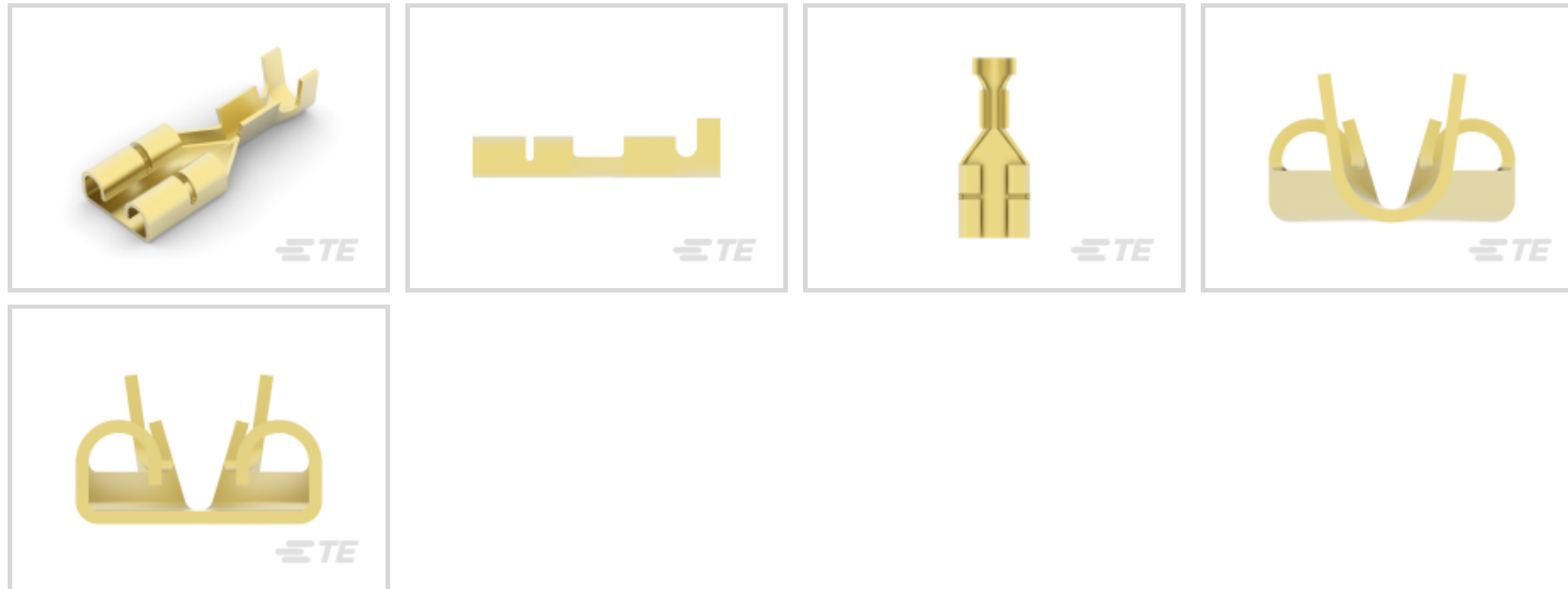




Terminals & Splices > Quick Disconnects



Quick Disconnect Terminal Type: **Receptacle**

Wire Size: .5 – 1.5 mm²

Mating Tab Width: 6.35 mm [.25 in]

Mating Tab Thickness: .81 mm [.032 in]

Features

Product Type Features

Terminates To	Wire & Cable
Wire/Cable Type	Regular Wire
Wire Stop	No
Insertion Force	Low
Sealable	No

Configuration Features

Connection Capacity	Single
---------------------	--------

Contact Features

Quick Disconnect Terminal Type	Receptacle
Mating Tab Width	6.35 mm [.25 in]
Mating Tab Thickness	.81 mm [.032 in]
Terminal Orientation	Straight
Contact Base Material	Brass
Terminal Plating Material	Unplated
Crimp Type	F-Crimp



Barrel Type	Open
-------------	------

Mechanical Attachment

Mating Retention Type	Dimple
-----------------------	--------

Wire Insulation Support	With
-------------------------	------

Dimensions

Accepts Wire Insulation Diameter Range	2.3 – 3.3 mm [.09 – .13 in]
--	-----------------------------

Receptacle Terminal Stock Thickness	.41 mm [.016 in]
-------------------------------------	------------------

Overall Length	19.1 mm [.752 in]
----------------	-------------------

Wire Size	.5 – 1.5 mm ²
-----------	--------------------------

Usage Conditions

Insulation Option	Uninsulated
-------------------	-------------

Operating Temperature Range	-40 – 110 °C [-40 – 230 °F]
-----------------------------	-----------------------------

Industry Standards

CSA Certified	Yes
---------------	-----

UL Rating	Listed
-----------	--------

Packaging Features

Packaging Quantity	6000
--------------------	------

Packaging Method	Strip/Reel
------------------	------------

Other

Comment	Can replace FASTON receptacle base p/n 160432.
---------	--

Product Compliance

[For compliance documentation, visit the product page on TE.com>](#)

EU RoHS Directive 2011/65/EU	Compliant
------------------------------	-----------

EU ELV Directive 2000/53/EC	Compliant
-----------------------------	-----------

China RoHS 2 Directive MIIT Order No 32, 2016	No Restricted Materials Above Threshold
---	---

EU REACH Regulation (EC) No. 1907/2006	Current ECHA Candidate List: JAN 2022 (223) Candidate List Declared Against: JAN 2022 (223) Does not contain REACH SVHC
--	---

Halogen Content	Low Halogen - Br, Cl, F, I < 900 ppm per homogenous material. Also BFR/CFR/PVC
-----------------	--

Free

Solder Process Capability

Not applicable for solder process capability

Product Compliance Disclaimer

This information is provided based on reasonable inquiry of our suppliers and represents our current actual knowledge based on the information they provided. This information is subject to change. The part numbers that TE has identified as EU RoHS compliant have a maximum concentration of 0.1% by weight in homogenous materials for lead, hexavalent chromium, mercury, PBB, PBDE, DBP, BBP, DEHP, DIBP, and 0.01% for cadmium, or qualify for an exemption to these limits as defined in the Annexes of Directive 2011/65/EU (RoHS2). Finished electrical and electronic equipment products will be CE marked as required by Directive 2011/65/EU. Components may not be CE marked. Additionally, the part numbers that TE has identified as EU ELV compliant have a maximum concentration of 0.1% by weight in homogenous materials for lead, hexavalent chromium, and mercury, and 0.01% for cadmium, or qualify for an exemption to these limits as defined in the Annexes of Directive 2000/53/EC (ELV). Regarding the REACH Regulation, the information TE provides on SVHC in articles for this part number is based on the latest European Chemicals Agency (ECHA) 'Guidance on requirements for substances in articles' posted at this URL: <https://echa.europa.eu/guidance-documents/guidance-on-reach>

Compatible Parts



TE Part # 190735-7
250 FASTON, FLAG, REC., 20-16 AWG, PTBR



TE Part # 2-2150082-1
OCEAN_2.0_APPLICATOR-E-090F130F



TE Part # 2-2150082-2
OCEAN_2.0_APPLICATOR-E-090F130FA



TE Part # 2150082-1
OCEAN_2.0_APPLICATOR-E-090F130F



TE Part # 2150082-2
OCEAN_2.0_APPLICATOR-E-090F130FA



TE Part # 7-2150082-1
OCEAN_2.0_APPLICATOR-E-090F130F



TE Part # 7-2150082-2
OCEAN_2.0_APPLICATOR-E-090F130FA



TE Part # 7-2150082-7
OCEAN_2.0_SPARE_PART_KIT-090F130F



TE Part # 737439-1
250 FASTON REC 22-18 AWG BR



TE Part # 737439-3
250 FASTON REC 22-18 AWG TPBR

Also in the Series | **FASTON 250**



Compression Connectors(4)



Crimp Terminal Housings(143)



Insertion & Extraction Tools(6)



Magnet Wire Terminals(1)



PCB Terminals(144)



Quick Disconnects(456)



Splices(4)

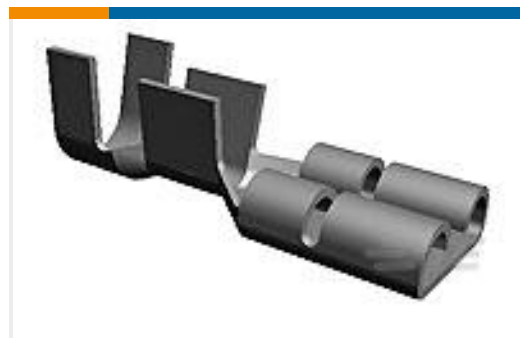
Customers Also Bought



TE Part #926410-1
110 FASTON HSG. REC. 1P CLEAR



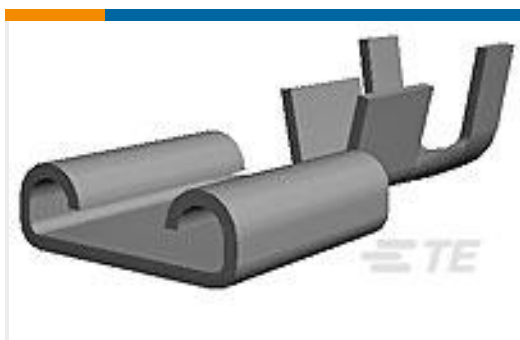
TE Part #794186-1
03P MINI UMN2 PLUG HSG UL94V0



TE Part #100495-2
250 FASTON,LIF REC.,16-20 AWG, TPBR



TE Part #5-160430-7
187 FASTON REC 20-16 AWG TPBR



TE Part #5-160432-4
250 FASTON REC 20-16 AWG TPBR



TE Part #794231-1
MINI UMN2 SCKT 20-16AWG LP SN



TE Part #1440007-2
STD OEG Miniature PCB OJ/OJE Pow Relays



TE Part #8-1415535-6
RT314012WG



TE Part #2238173-3
250 FASTON,REC.,22-12 AWG,TPBR

Documents



Product Drawings

[250 FASTON,LIF REC.,16-20 AWG,BR](#)

English

CAD Files

Customer View Model

[ENG_CVM_CVM_100495-1_C.2d_dxf.zip](#)

English

[3D PDF](#)

3D

Customer View Model

[ENG_CVM_CVM_100495-1_C.3d_igs.zip](#)

English

Customer View Model

[ENG_CVM_CVM_100495-1_C.3d_stp.zip](#)

English

By downloading the CAD file I accept and agree to the [Terms and Conditions](#) of use.

Datasheets & Catalog Pages

[1654742_HOUSEHOLD_APPLIANCES_RAST5](#)

English

Product Specifications

[L.I.F. FASTON .250 rec. Low Insertion Force](#)

English

[Product Specification](#)

English

Product Environmental Compliance

[TE Material Declaration](#)

English

Agency Approvals

[UL Report](#)

English