

THIS DRAWING IS UNPUBLISHED

RELEASED FOR PUBLICATION

2015

LOC

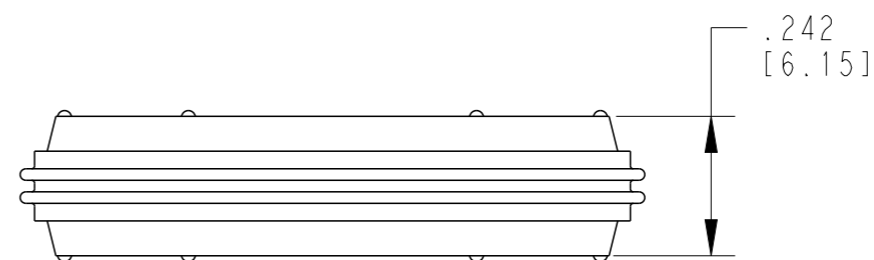
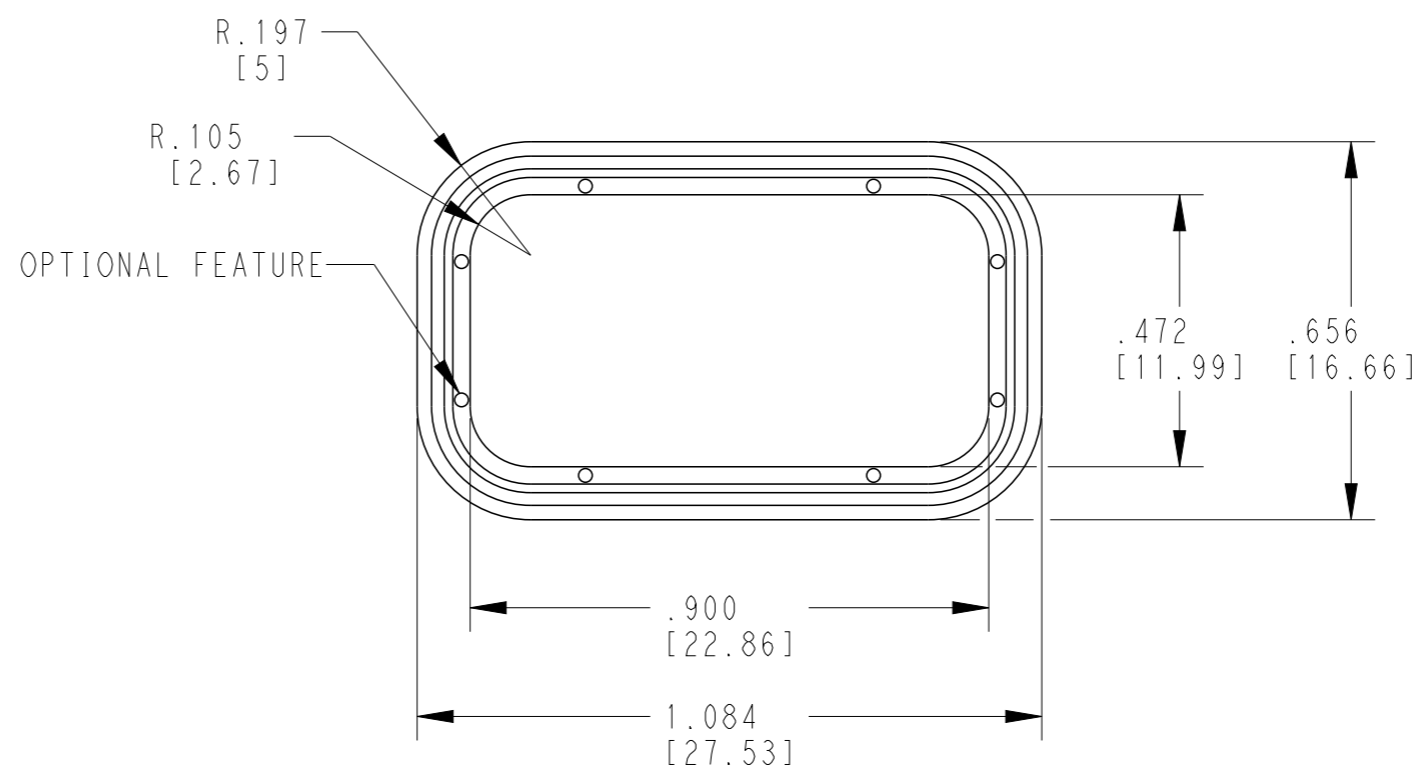
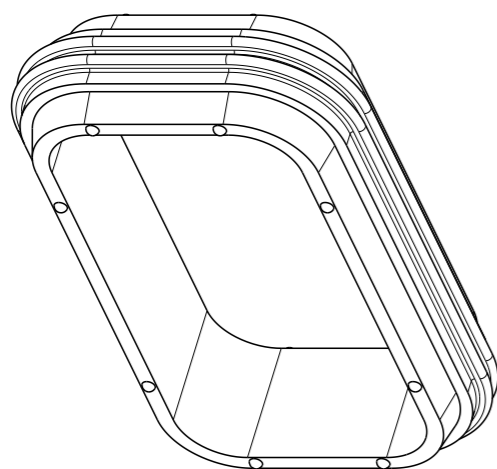
DIST

REVISIONS


© COPYRIGHT 1991 BY TE CONNECTIVITY

ALL RIGHTS RESERVED.

P	LTR	DESCRIPTION	DATE	DWN	APVD
	A	REVISED PER ECO-16-015829	05MAY2016	SH	DM



TE INTERNAL PN	DEUTSCH PN
1010-058-1206	1010-058-1206

THIS DRAWING IS A CONTROLLED DOCUMENT.		DWN	S. THEIS	12MAR1999	 TE Connectivity							
DIMENSIONS: INCHES [mm]		CHK	S. BEARD	26MAR1999								
TOLERANCES UNLESS OTHERWISE SPECIFIED:		APVD	R. REED	26MAR1999								
0 PLC ± 1 PLC ± 2 PLC ± 3 PLC ±.025 [0.64] 4 PLC ± ANGLES ±0°30'0"		PRODUCT SPEC	N/A									
MATERIAL	1	FINISH	N/A		NAME	FRONT SEAL, RETENTION TYPE 6 WAY PLUG DT SERIES						
Customer Drawing		WEIGHT	.71g		SIZE	A3	CAGE CODE	4AFU8	DRAWING NO	1010-058-1206	RESTRICTED TO	-
SCALE		3:1		SHEET	1 OF 1		REV	A				

1 MATERIAL: SILICONE (RED-ORANGE)

NOTES: UNLESS OTHERWISE SPECIFIED