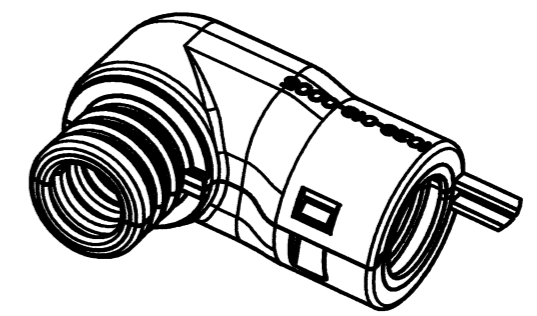
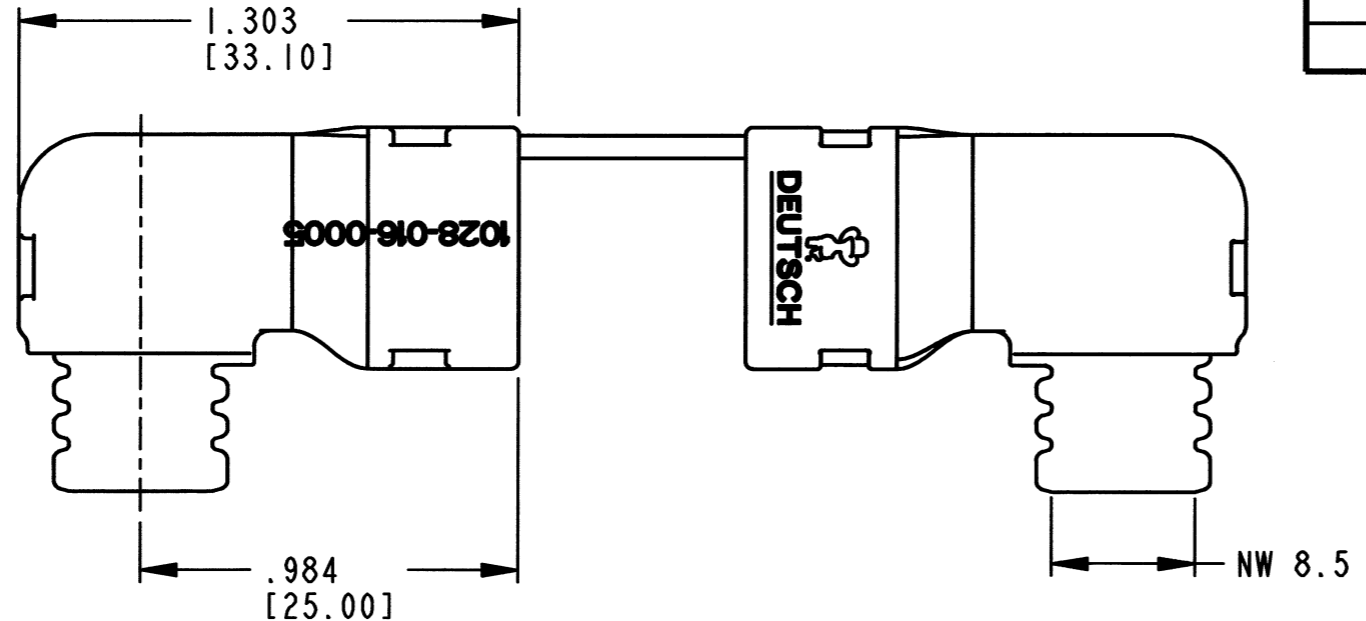
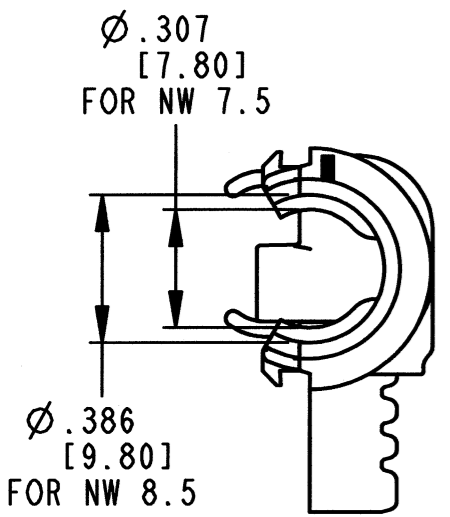
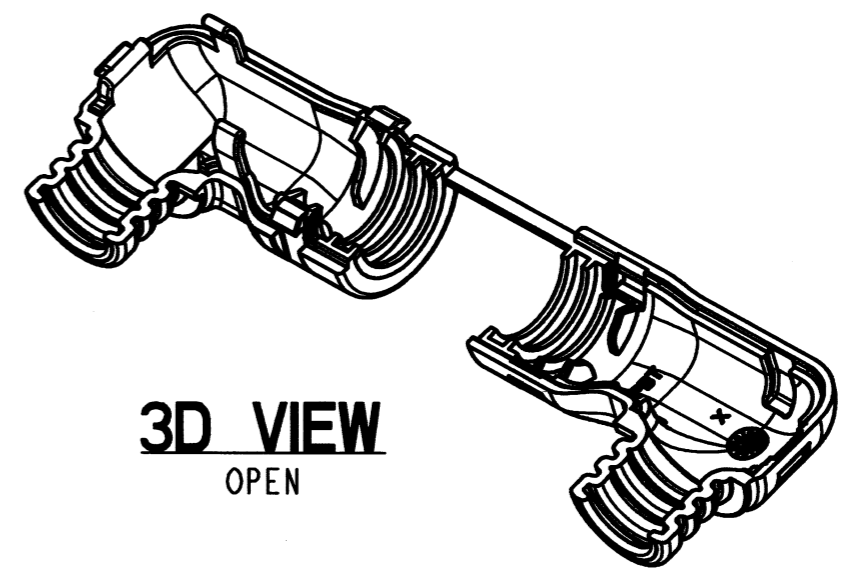
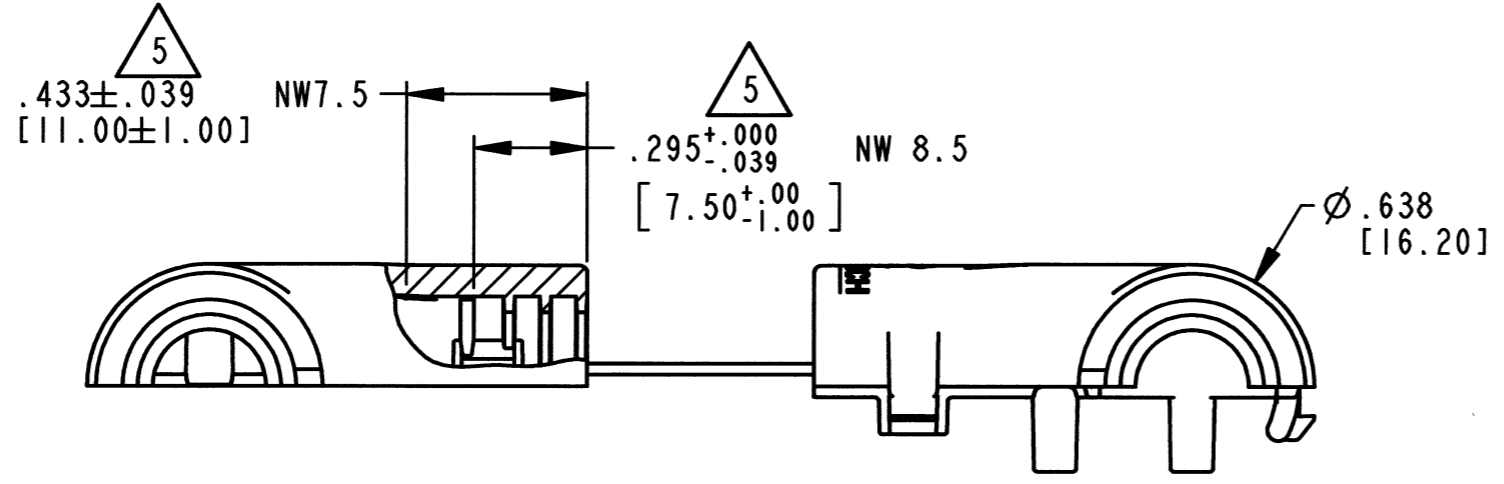


REV  
B 1028-016-0005

REVISIONS			
SYM	DESCRIPTION	DATE	APPROVED
A	REVISED/REDRAWN PER E.O. P20667	4/8/11	R.D.R.
B	REVISED PER E.O. P20946	5-31-11	<i>RDR</i>



**3D VIEW**  
CLOSED



**3D VIEW**  
OPEN

5. DIMENSION SHOWN INDICATES PROPER DEPTH TO ASSEMBLE NOTED CONVOLUTE TUBE SIZE.
4. DESIGNED FOR USE WITH DTM/DTMH BACKSHELL PART NUMBERS 1028-041-0205, 1028-005-0305, & 1028-008-0405.
3. MATERIAL: PLASTIC; COLOR: BLACK
2. THIS PART MATES WITH 2, 3, & 4 PIN BACKSHELLS.
1. ALL DIMENSIONS ARE IN INCHES [MILLIMETERS] AND ARE ±.025[.64] UNLESS OTHERWISE SPECIFIED.

NOTES:

SIGNATURE & DATE	
DR	A. MALAGON 25OCT10
CHK	<i>B. Spand</i> 5/31/2011
PE	<i>S. Spand</i> 5/31/11
APPD	<i>S. Spand</i> 5/31/11
SCALE	NONE
WT	

BACKSHELL  
90° ADAPTER  
2, 3 & 4 PIN  
DTM/DTMH SERIES

ENVELOPE

EP	MATL. CODE
3850 INDUSTRIAL AVE. HEMET, CA 92545	
<b>B</b>	<b>1028-016-0005</b>
DWG SIZE	CODE 11139 SHEET   OF