



DEUTSCH | DEUTSCH DT

TE Internal #: 1011-240-0605

Automotive Connector Caps & Covers, Backshell, Cable Exit Angle 90° (Right Angle), Black, PA GF, Wire-to-Wire, 6 Position, DEUTSCH DT

[View on TE.com >](#)

Connectors > Automotive Connectors > Connector Accessories > Connector Caps & Covers > DEUTSCH DT BACKSHELLS



Protection & Strain Relief Accessory Type: **Backshell**

Cable Exit Angle: **90° (Right Angle)**

Strain Relief: **With**

Primary Product Color: **Black**

Primary Product Material: **PA GF**

[All DEUTSCH DT BACKSHELLS \(47\)](#)

Features

Product Type Features

Protection & Strain Relief Accessory Type	Backshell
Connector System	Wire-to-Wire
Sealable	No
Connector & Contact Terminates To	Wire & Cable

Configuration Features

Number of Positions	6
---------------------	---

Body Features

Cable Exit Angle	90° (Right Angle)
Primary Product Color	Black
Primary Product Material	PA GF

Mechanical Attachment

Strain Relief	With
---------------	------

Dimensions

Compatible Cable Bundle Diameter Range	8.5 – 13 mm [.335 – .511 in]
--	------------------------------

Usage Conditions

Compatible With Connector Style	Plug
Operating Temperature (Max)	125 °C [257 °F]
Operating Temperature Range	-55 – 125 °C [-67 – 257 °F]

Industry Standards

Degree of Protection	IP6K9K
UL Flammability Rating	UL 94HB

Packaging Features

Packaging Quantity	400
Packaging Method	Box

Other

Serviceable	Yes
-------------	-----

Product Compliance

[For compliance documentation, visit the product page on TE.com>](#)

EU RoHS Directive 2011/65/EU	Compliant
EU ELV Directive 2000/53/EC	Compliant
China RoHS 2 Directive MIIT Order No 32, 2016	No Restricted Materials Above Threshold
EU REACH Regulation (EC) No. 1907/2006	Current ECHA Candidate List: JAN 2022 (223) Candidate List Declared Against: JAN 2022 (223) Does not contain REACH SVHC
Halogen Content	Low Halogen - Br, Cl, F, I < 900 ppm per homogenous material. Also BFR/CFR/PVC Free
Solder Process Capability	Not reviewed for solder process capability

Product Compliance Disclaimer

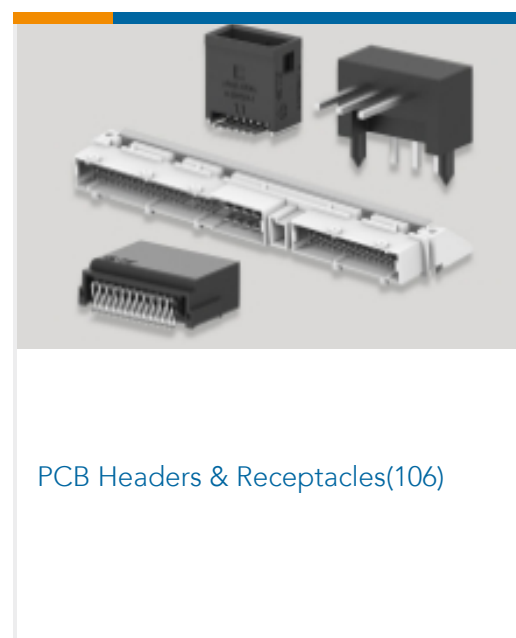
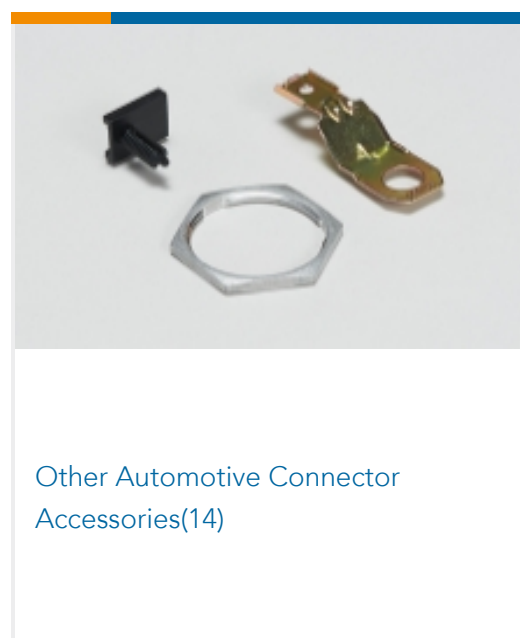
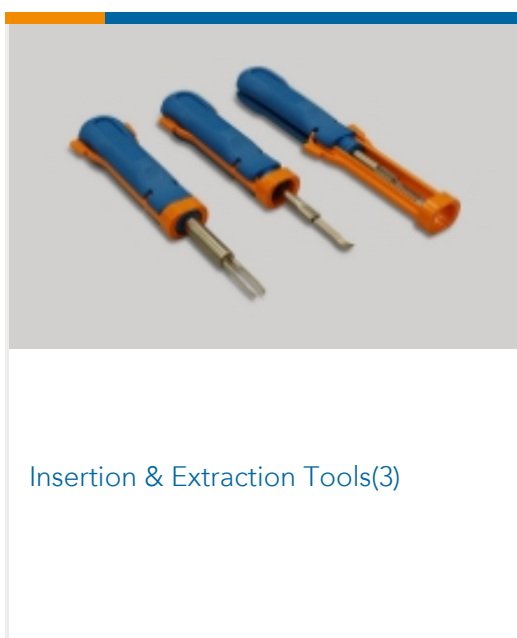
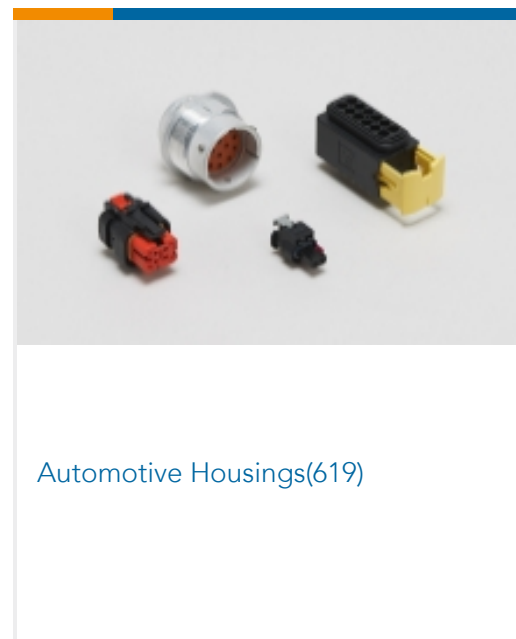
This information is provided based on reasonable inquiry of our suppliers and represents our current actual knowledge based on the information they provided. This information is subject to change. The part numbers that TE has identified as EU RoHS compliant have a maximum concentration of 0.1% by weight in homogenous materials for lead, hexavalent chromium, mercury, PBB, PBDE, DBP, BBP, DEHP, DIBP, and 0.01% for cadmium, or qualify for an exemption to these limits as defined in the Annexes of Directive 2011/65/EU (RoHS2). Finished electrical and electronic equipment products will be CE marked as required by Directive 2011/65/EU. Components may not be CE marked. Additionally, the part numbers that TE has identified as EU ELV compliant have a maximum concentration of 0.1% by weight in homogenous materials for lead, hexavalent chromium, and mercury, and 0.01% for cadmium, or qualify for an exemption to these limits

as defined in the Annexes of Directive 2000/53/EC (ELV). Regarding the REACH Regulation, the information TE provides on SVHC in articles for this part number is based on the latest European Chemicals Agency (ECHA) 'Guidance on requirements for substances in articles' posted at this URL: <https://echa.europa.eu/guidance-documents/guidance-on-reach>

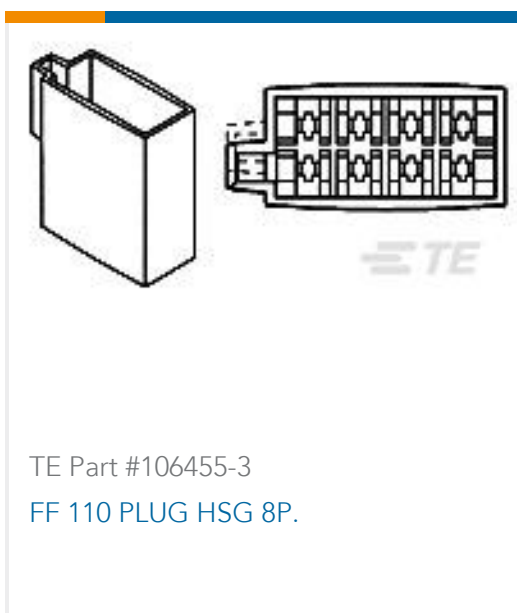
Compatible Parts



Also in the Series | DEUTSCH DT



Customers Also Bought





TE Part #HDP24-24-23SE-L017
REC, 23P, BLK, E, RNG, 16, S



TE Part #W4SA-P012
WEDGE LOCK, 4P, PLG, GRY, SL RET,
DT, A



TE Part #DTM12S-BT-BK
BOOT, 12P, PLG, ST, BLK



TE Part #1-480708-9
12P UMNL PLUG HSG BLK



TE Part #10200021-00
ACCUSTAR-EA SINGLE ENDED VERT

Documents

CAD Files

3D PDF

3D

Customer View Model

[ENG_CVM_CVM_1011-240-0605_99_c-1011-240-0605-99.2d_dxf.zip](#)

English

Customer View Model

[ENG_CVM_CVM_1011-240-0605_99_c-1011-240-0605-99.3d_igs.zip](#)

English

Customer View Model

[ENG_CVM_CVM_1011-240-0605_99_c-1011-240-0605-99.3d_stp.zip](#)

English

By downloading the CAD file I accept and agree to the [Terms and Conditions](#) of use.

Datasheets & Catalog Pages

ICT Terminals and Connectors Catalogue

English

CONNECTOR SELECTOR

English

Product Specifications

Application Specification

English

Product Environmental Compliance

TE Material Declaration

English

1011-240-0605

Automotive Connector Caps & Covers, Backshell, Cable Exit Angle 90° (Right Angle),
Black, PA GF, Wire-to-Wire, 6 Position, DEUTSCH DT

