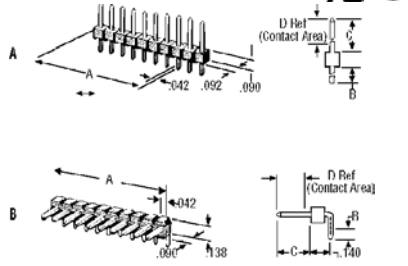


Headers and Shunts

Breakaway Headers — Unshrouded Single Row, .100" Centers



UL Recognized, CSA Certified. Housing: Black thermoplastic. Posts: Copper Alloy.

.025 Square Straight Post — Fig. A †100-499

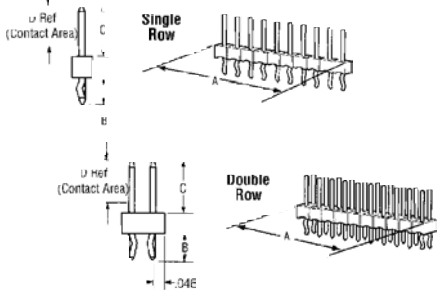
Table with columns: Stock No., Mfr.'s Type, No. of Pos., Dimensions (A, B, C, D), Plating Code, and EACH (1-99, 100†).

.025 Square Right-Angle Post — Fig. B

Table with columns: Stock No., Mfr.'s Type, No. of Pos., Dimensions (A, B, C, D), Plating Code, and EACH (1-99, 100†).

*Contact Plating: 1=Duplex C-.000030 gold on contact area, .000100-.000200 tin-lead on solder area, with entire post underplated .000050 nickel; 2=Duplex D-.000015 gold on contact area, .000100-.000200 tin-lead on solder area, with entire post underplated .000050 nickel; 3=3-Tin-Lead/Nickel-.000100-.000200 tin-lead over .000050 nickel on entire post.

Retention Headers — Unshrouded Single and Double Row .100" × .100" Centers



.025 Square Straight Post — Single Row †100-499

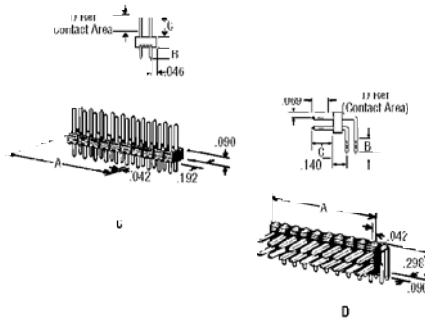
Table with columns: Stock No., Mfr.'s Type, No. of Pos., Dimensions (A, B, C, D), Plating Code, and EACH (1-99, 100†).

.025 Square Straight Post — Double Row

Table with columns: Stock No., Mfr.'s Type, No. of Pos., Dimensions (A, B, C, D), Plating Code, and EACH (1-99, 100†).

*Contact Plating: 1=Duplex C-.000030 gold on contact area, .000100-.000200 tin-lead on solder area, with entire post underplated .000050 nickel; 2=Duplex D-.000015 gold on contact area, .000100-.000200 tin-lead on solder area, with entire post underplated .000050 nickel; 3=3-Tin-Lead/Nickel-.000100-.000200 tin-lead over .000050 nickel on entire post.

Breakaway Headers — Unshrouded Double Row, .100" × .100" Centers



.025 Square Straight Post — Fig. C †100-499

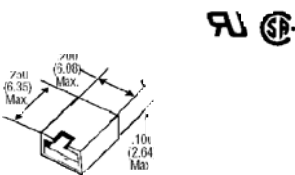
Table with columns: Stock No., Mfr.'s Type, No. of Pos., Dimensions (A, B, C, D), Plating Code, and EACH (1-99, 100†).

.025 Square Straight Post — Fig. D

Table with columns: Stock No., Mfr.'s Type, No. of Pos., Dimensions (A, B, C, D), Plating Code, and EACH (1-99, 100†).

*Contact Plating: 1=Duplex C-.000030 gold on contact area, .000100-.000200 tin-lead on solder area, with entire post underplated .000050 nickel; 2=Duplex D-.000015 gold on contact area, .000100-.000200 tin-lead on solder area, with entire post underplated .000050 nickel; 3=3-Tin-Lead/Nickel-.000100-.000200 tin-lead over .000050 nickel on entire post.

Post Shunts

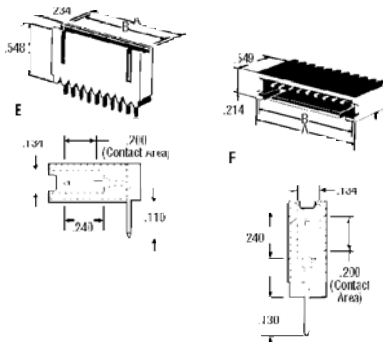


- One-Piece Contact Construction
► High Normal Forces
► S4V-0 Rated Housings
► Underwriters Laboratories Inc., File No. E28476; A CSA Certified File No. LR 16455

Two-position, low profile shunts.

Table with columns: Stock No., Mfr.'s Type, Switch Type With Slot, Contact Plating, and PER SET/10 (1-99, 100-499).

Standard Profile Headers Single Row Headers — Shrouded .100" Centers



.025 Sq. Straight Post (with Standoffs) — Fig. E †100-499

Table with columns: Stock No., Mfr.'s Type, No. of Pos., Dimensions (A, B), Plating Code, and EACH (1-99, 100†).

.025 Square Right-Angle Post (with Standoffs) — Fig. F

Table with columns: Stock No., Mfr.'s Type, No. of Pos., Dimensions (A, B), Plating Code, and EACH (1-99, 100†).

Contact Plating: 1=Duplex C-.000030 gold on contact area, .000100-.000200 tin-lead on solder area, with entire post underplated .000050 nickel; 2=Duplex D-.000015 gold on contact area, .000100-.000200 tin-lead on solder area, with entire post underplated .000050 nickel; 3=3-Tin-Lead/Nickel-.000100-.000200 tin-lead over .000050 nickel on entire post.

Standard Profile Headers — Shrouded Straight, Double Row, .100" × .100" Centers



.025 Square Straight Post — .066 End Dimension †100-499

Table with columns: Stock No., Mfr.'s Type, No. of Pos., Dimensions (A, B), Plating Code, and EACH (1-99, 100†).

.025 Square Straight Post — .150 End Dimension

Table with columns: Stock No., Mfr.'s Type, No. of Pos., Dimensions (A, B), Plating Code, and EACH (1-99, 100†).

*Contact Plating: 1=Duplex C-.000030 gold on contact area, .000100-.000200 tin-lead on solder area, with entire post underplated .000050 nickel; 2=Duplex D-.000015 gold on contact area, .000100-.000200 tin-lead on solder area, with entire post underplated .000050 nickel; 3=3-Tin-Lead/Nickel-.000100-.000200 tin-lead over .000050 nickel on entire post.