

**PLEASE CHECK WWW.MOLEX.COM FOR LATEST PART INFORMATION**

**Part Number:** [1040922000](#)  
**Status:** **Active**  
**Description:** IllumiMate 1.25mm Pitch Wire-to-Board Crimp Housing, Right-Angle Single Row, 20 Circuits

**Documents:**

[3D Model](#) [Packaging Specification PK-104092-001-001 \(PDF\)](#)  
[Drawing \(PDF\)](#) [RoHS Certificate of Compliance \(PDF\)](#)  
[Product Specification PS-104091-001-001 \(PDF\)](#)

**General**

Product Family Crimp Housings  
 Series [104092](#)  
 Application Signal, Wire-to-Board  
 Product Name IllumiMate  
 UPC 884982407121

**Physical**

Circuits (maximum) 20  
 Color - Resin Natural  
 Gender Receptacle  
 Glow-Wire Compliant No  
 Keying to Mating Part None  
 Lock to Mating Part Yes  
 Material - Resin High Temperature Thermoplastic  
 Net Weight 0.470/g  
 Number of Rows 1  
 Packaging Type Embossed Tape on Reel  
 Panel Mount No  
 Pitch - Mating Interface 1.25mm  
 Polarized to Mating Part Yes  
 Temperature Range - Operating -25°C to +130°C

**Electrical**

Current - Maximum per Contact 1.5A

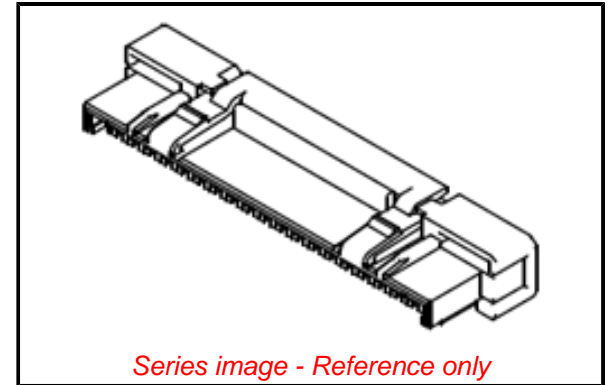
**Solder Process Data**

Lead-freeProcess Capability N/A

**Material Info**

**Reference - Drawing Numbers**

Packaging Specification PK-104092-001-001  
 Product Specification PS-104091-001-001  
 Sales Drawing SD-104092-001



**EU ELV**

**Not Relevant**

**EU RoHS**

**Compliant**

**REACH SVHC**

Not Contained Per -  
 ED/30/2017 (7 July  
 2017)

**Halogen-Free**

**Status**

**Low-Halogen**

**Need more information on product  
 environmental compliance?**

Email [productcompliance@molex.com](mailto:productcompliance@molex.com)  
 Please visit the [Contact Us](#) section for any  
 non-product compliance questions.

China ROHS

ELV

RoHS Phthalates

Green Image

Not Relevant

Not Contained

**Search Parts in this Series**

[104092 Series](#)

**Mates With**

[104091-2020](#)

**Use With**

[104521-6001](#)