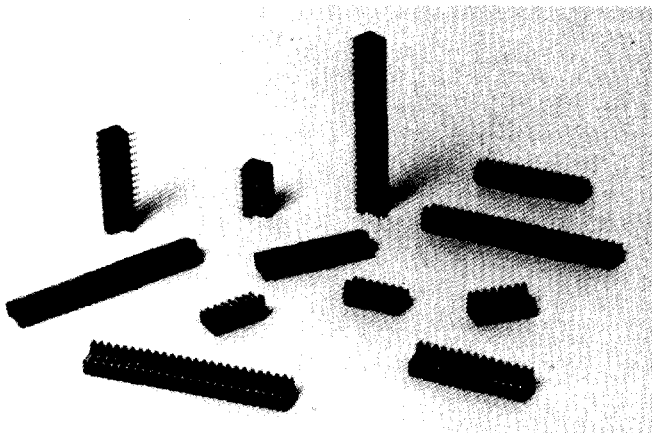


.100" (2.54 mm) Dip Solder Connector

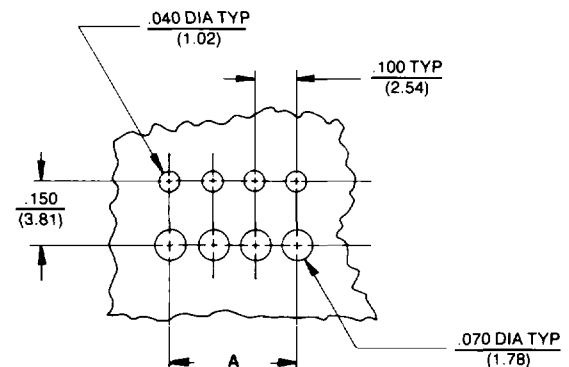
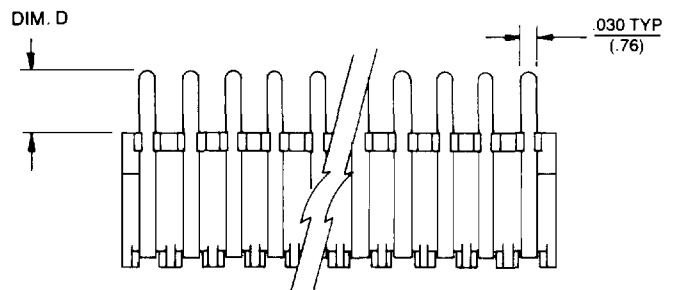
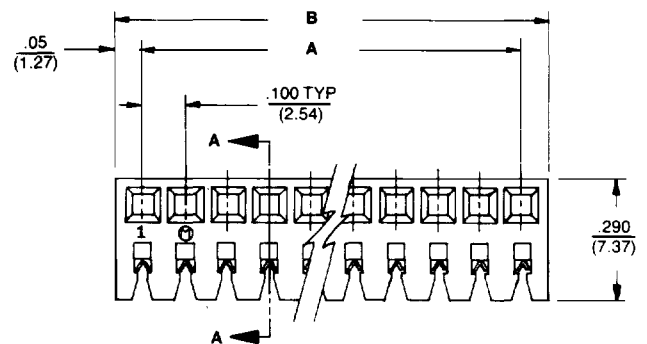
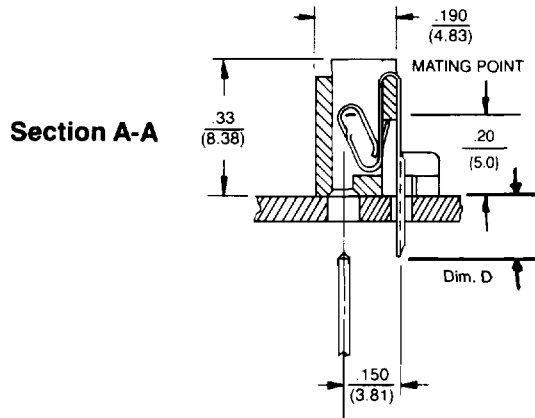


1000 Series Inverse Mount (Bottom Entry)

A low cost approach to packaging for light or dense packaged P.C. board applications. Mates with 1100-1, 1100-3 series headers or .025 sq. pins stacked into P.C. boards.

Housing Material: Nylon 94V-0

Contacts: Copper Alloy



RECOMMENDED P.C. BOARD LAYOUT

PART NUMBER CODING

100X - 2XX - 2105

NUMBER OF POSITIONS

PLATING CODE

0 = TIN

8 = .000015 SELECTIVE GOLD

PIN NUMBER	DIM D
05	.14 (3.55)

PART NUMBER	NO. OF POSITION	DIM A	"B" ±.010 (±.254)
100X-202-2105	2	.100 (2.54)	.200 (5.08)
100X-203-2105	3	.200 (5.08)	.300 (7.62)
100X-204-2105	4	.300 (7.62)	.400 (10.16)
100X-205-2105	5	.400 (10.16)	.500 (12.70)
100X-206-2105	6	.500 (12.70)	.600 (15.24)
100X-207-2105	7	.600 (15.24)	.700 (17.78)
100X-208-2105	8	.700 (17.78)	.800 (20.32)
100X-209-2105	9	.800 (20.32)	.900 (22.86)
100X-210-2105	10	.900 (22.86)	1.000 (25.40)
100X-211-2105	11	1.000 (25.40)	1.100 (27.94)
100X-212-2105	12	1.100 (27.94)	1.200 (30.48)
100X-213-2105	13	1.200 (30.48)	1.300 (33.02)
100X-214-2105	14	1.300 (33.02)	1.400 (35.56)
100X-215-2105	15	1.400 (35.56)	1.500 (38.10)
100X-216-2105	16	1.500 (38.10)	1.600 (40.64)
100X-217-2105	17	1.600 (40.64)	1.700 (43.18)
100X-218-2105	18	1.700 (43.18)	1.800 (45.72)
100X-219-2105	19	1.800 (45.72)	1.900 (48.26)
100X-220-2105	20	1.900 (48.26)	2.000 (50.80)
100X-221-2105	21	2.000 (50.80)	2.100 (53.34)
100X-222-2105	22	2.100 (53.34)	2.200 (55.84)
100X-223-2105	23	2.200 (55.88)	2.300 (58.42)
100X-224-2105	24	2.300 (58.42)	2.400 (60.96)
100X-225-2105	25	2.400 (60.96)	2.500 (63.50)
100X-226-2105	26	2.500 (63.50)	2.600 (66.04)
100X-227-2105	27	2.600 (66.04)	2.700 (68.58)
100X-228-2105	28	2.700 (68.58)	2.800 (71.12)