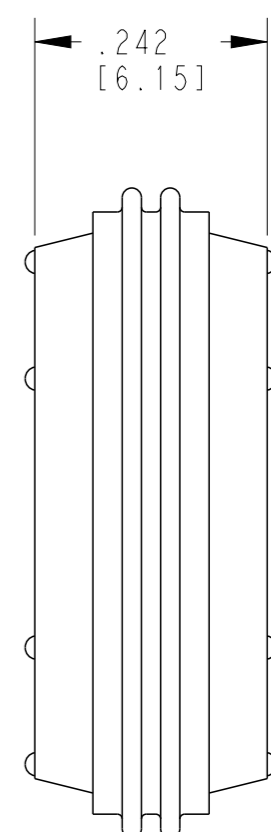
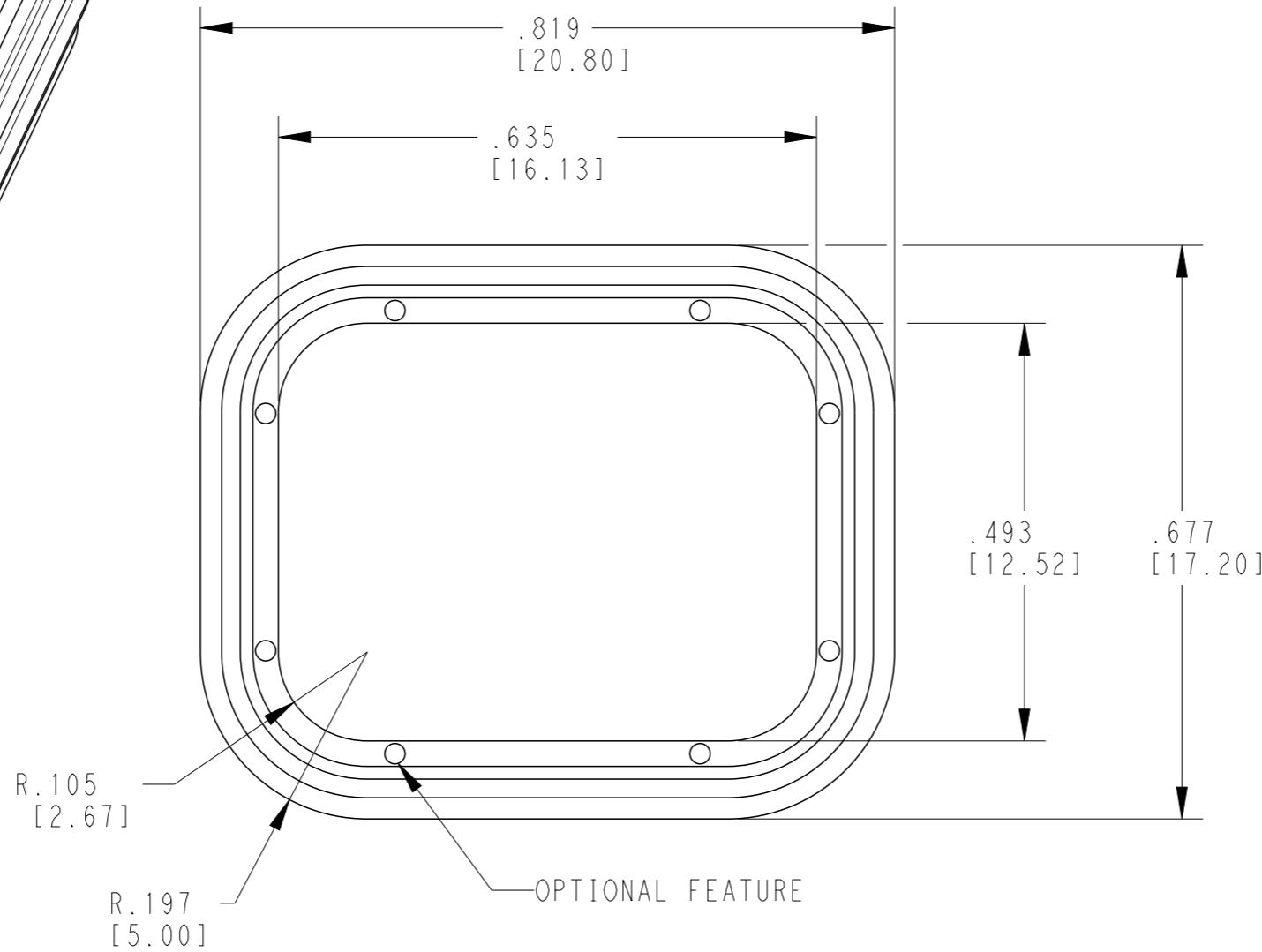
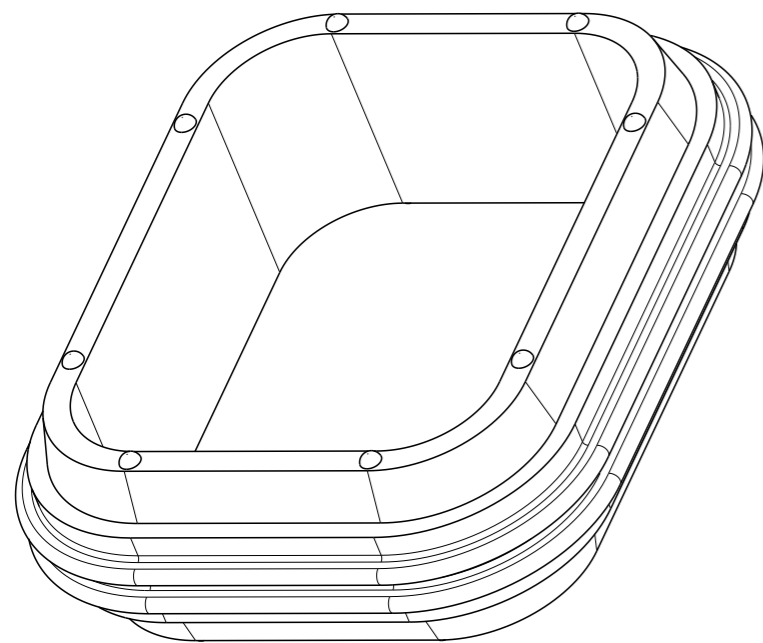



THIS DRAWING IS UNPUBLISHED. RELEASED FOR PUBLICATION 2015  
 © COPYRIGHT 1991 BY TE CONNECTIVITY ALL RIGHTS RESERVED.

LOC		DIST		REVISIONS			
P	LTR	DESCRIPTION		DATE	DWN	APVD	
	C	REVISED PER ECO-16-008493		21MAR2016	SH	DM	



TE INTERNAL PN	DEUTSCH PN
1010-063-0806	1010-063-0806

THIS DRAWING IS A CONTROLLED DOCUMENT.		DWN	23MAR1999	 TE Connectivity	
DIMENSIONS: INCHES [mm]		CHK	26MAR1999		
TOLERANCES UNLESS OTHERWISE SPECIFIED:		APVD	29MAR1999		
0 PLC ± 1 PLC ± 2 PLC ± 3 PLC ±.025 [0.64] 4 PLC ± ANGLES ±0°30'0"		PRODUCT SPEC	N/A		
MATERIAL	FINISH	APPLICATION SPEC	N/A	NAME	SEAL, FRONT, RETENTION TYPE 8 CONTACT PLUG DT SERIES
1		WEIGHT	1.74g	SIZE	A3
		Customer Drawing	SCALE	CAGE CODE	4AFU8
			5:1	DRAWING NO	1010-063-0806
				RESTRICTED TO	-
				SHEET	1 OF 1
				REV	C

1 MATERIAL: SILICONE (RED-ORANGE)

NOTES: UNLESS OTHERWISE SPECIFIED