

## FEATURES AND SPECIFICATIONS

### Features and Benefits

- Sizes 2 to 6 circuits available
- Polarization through varied center spacing between circuits 1 and 2
- With locking ramp
- Molded pull tab
- Molded-in locking arm for terminal

### Reference Information

Packaging: Bag  
 UL File No.: E29179  
 CSA File No.: LR19980  
 Mates With: 5287-NA, 5288-NA, 5289-NA and 53331 headers  
 Use With: 5194 and 5225 terminals  
 Designed In: Millimeters

### Electrical

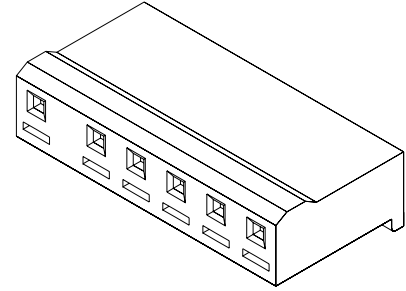
Voltage: 250V  
 Current: 5194—7.0A  
 5225—4.0A  
 Contact Resistance: 10mΩ max.  
 Dielectric Withstanding Voltage: 1500V AC/1 min.  
 Insulation Resistance: 1000 MΩ min.

### Physical

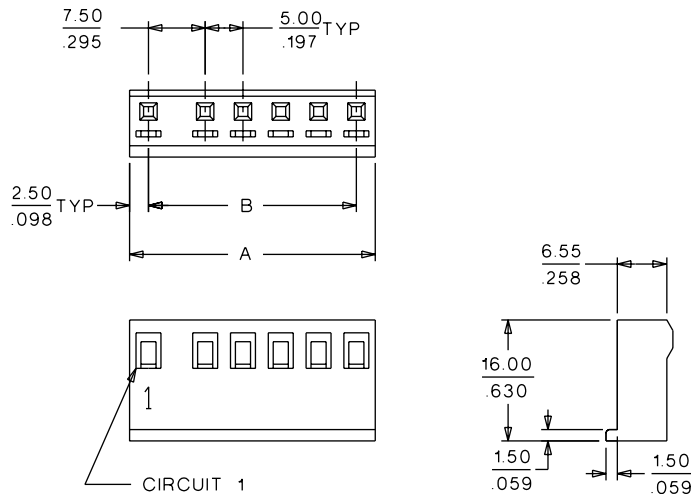
Housing: 6/6 nylon, UL 94V-2  
 Operating Temperature: -40 to +105°C

# molex® 5.00mm (.197") Pitch SPOX™ Crimp Terminal Housing

## 5199-N

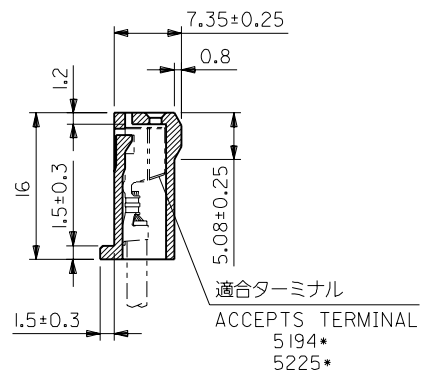
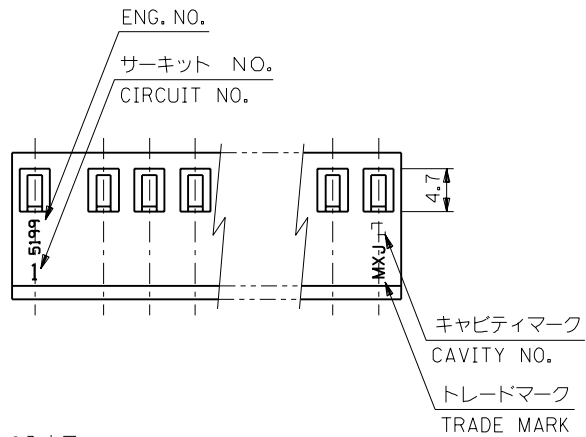
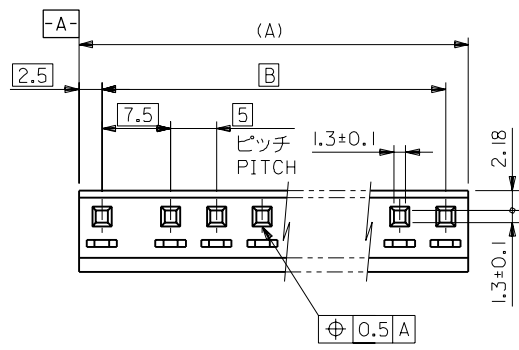


## CATALOG DRAWING (FOR REFERENCE ONLY)



## ORDERING INFORMATION AND DIMENSIONS

Circuits	Order No.	Dimension	
		A	B
2	10-63-3024	12.50 (.492)	7.50 (.295)
3	10-63-3034	17.50 (.689)	12.50 (.492)
4	10-63-3044	22.50 (.886)	17.50 (.689)
5	10-63-3054	27.50 (1.083)	22.50 (.886)
6	10-63-3064	32.50 (1.280)	27.50 (1.083)



注) NOTE.

1. 各部のそりは0.5最大  
WARPING:0.5MAX.
2. サーキットNO. はNO. \* 1\* のみ表示  
CIRCUIT NO.: \*1\* ONLY

10-63-3064	5199-06	27.5	32.5	6
↑ -3054	↑ -05	22.5	27.5	5
-3044	-04	17.5	22.5	4
↓ -3034	↓ -03	12.5	17.5	3
10-63-3024	5199-02	7.5	12.5	2
EDP.NO.	ENG.NO.	B	(A)	極数 CKT.

EC NO. DRWN: CHK: APPR:	EC NO. DRWN: CHK: APPR:	EC NO. DRWN: CHK: APPR:	EC NO. DRWN: CHK: APPR:	REDRAWN EC NO. JC2000-0629 DRWN: K.KOHAMA CHK: T.YAMAGUCHI APPR: M.FUKUSHIMA	MATERIAL 材料 NYLON66, 94V-2	GENERAL TOLERANCES: (UNLESS SPECIFIED) 一般公差	SCALE 2:1	DESIGN UNITS <input checked="" type="checkbox"/> mm <input type="checkbox"/> INCH	THIRD ANGLE PROJECTION <input type="checkbox"/> mm <input type="checkbox"/> INCH <input checked="" type="checkbox"/> mm ONLY	TITLE: SPOX 5/7.5 PITCH REC. HSG.	SHT REV	REVISE ON CAD ONLY		
FINISH 仕上げ	WIRE RANGE 適用線径範囲	INS. RANGE 被覆外径	10 UNDER 未満	10 OVER 以上	30 UNDER 未満	30 OVER 以上	ANGLE 角度	DRAWN BY & DATE K.KOHAMA 007/3/28	CHECKED BY & DATE T.YAMAGUCHI 007/3/30	APPROVED BY & DATE M.FUKUSHIMA 007/3/30	CAD FILENAME S5199.S01	MATERIAL NO. 5199-**	DRAWING NO. SD-5199-N	SHEET NO. 1
THIS DRAWING CONTAINS INFORMATION THAT IS PROPRIETARY TO MOLEX INCORPORATED AND SHOULD NOT BE USED WITHOUT WRITTEN PERMISSION.										SIZE B				