

103681-2 ✓ ACTIVE

AMPMODU | AMPMODU MTE

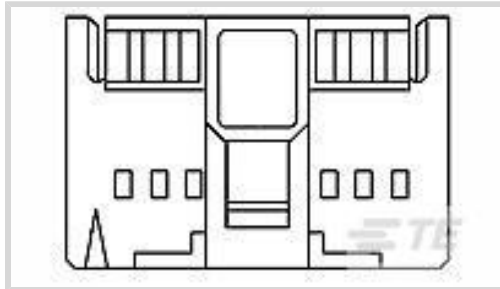
TE Internal #: 103681-2

PCB Connector Shrouds, Coupling Shroud, Mating Alignment, 10 Position, 2 Row, 5 Column, Length 17.4 mm [.68 in], Height 11.76 mm [.46 in], AMPMODU MTE

[View on TE.com >](#)



Connectors > PCB Connectors > PCB Connector Accessories > Protection & Strain Relief > PCB Connector Shrouds



Connector Mounting Accessory Type: **Coupling Shroud**

Mating Alignment: **With**

Number of Positions: **10**

Number of Rows: **2**

Number of Columns: **5**

## Features

### Product Type Features

Connector Mounting Accessory Type	Coupling Shroud
Sealable	No

### Configuration Features

Number of Positions	10
Number of Rows	2
Number of Columns	5

### Electrical Characteristics

Termination Resistance	15 mΩ
Dielectric Withstanding Voltage (Max)	600 V
Insulation Resistance	5000 MΩ

### Body Features

Shroud Color	Black
Shroud Material	Thermoplastic

### Contact Features

CompactPCI	No
------------	----

### Mechanical Attachment

Mating Alignment Type	Latched
PCB Mount Retention	Without



Mating Alignment	With
------------------	------

### Dimensions

Product Length	17.4 mm [.68 in]
Product Height	11.76 mm [.46 in]
Product Width	18.67 mm [.735 in]

### Usage Conditions

Operating Temperature Range	-65 – 105 °C [-85 – 221 °F]
-----------------------------	-----------------------------

### Industry Standards

UL Flammability Rating	UL 94V-0
------------------------	----------

### Packaging Features

Packaging Method	Package
------------------	---------

### Other

Comment	Insert Receptacle Assembly w/Guide Ribs (only) into shroud.
---------	---

## Product Compliance

[For compliance documentation, visit the product page on TE.com>](#)

EU RoHS Directive 2011/65/EU	Compliant
EU ELV Directive 2000/53/EC	Compliant
China RoHS 2 Directive MIIT Order No 32, 2016	No Restricted Materials Above Threshold
EU REACH Regulation (EC) No. 1907/2006	Current ECHA Candidate List: JAN 2022 (223) Candidate List Declared Against: JAN 2022 (223) Does not contain REACH SVHC
Halogen Content	BFR/CFR/PVC Free, but Br/Cl >900 ppm in other sources.
Solder Process Capability	Not applicable for solder process capability

#### Product Compliance Disclaimer

This information is provided based on reasonable inquiry of our suppliers and represents our current actual knowledge based on the information they provided. This information is subject to change. The part numbers that TE has identified as EU RoHS compliant have a maximum concentration of 0.1% by weight in homogenous materials for lead, hexavalent chromium, mercury, PBB, PBDE, DBP, BBP, DEHP, DIBP, and 0.01% for cadmium, or qualify for an exemption to these limits as defined in the Annexes of Directive 2011/65/EU (RoHS2). Finished electrical and electronic equipment products will be CE marked as required by Directive 2011/65/EU. Components may not be CE marked. Additionally, the part numbers that TE has identified as EU ELV compliant have a maximum concentration of 0.1% by weight in homogenous materials for lead, hexavalent chromium, and mercury, and 0.01% for cadmium, or qualify for an exemption to these limits as defined in the Annexes of Directive 2000/53/EC (ELV). Regarding the REACH Regulation, the information TE provides

on SVHC in articles for this part number is based on the latest European Chemicals Agency (ECHA) 'Guidance on requirements for substances in articles' posted at this URL: <https://echa.europa.eu/guidance-documents/guidance-on-reach>

## Compatible Parts



TE Part # 5-103969-1  
10X2 MTE RCPT SR RIBBED .100CL



TE Part # 5-103969-2  
8X3 MTE RCPT SR RIBBED .100CL



TE Part # 5-103969-3  
5X4 MTE RCPT SR RIBBED .100CL




TE Part # 5-103969-4  
4X5 MTE RCPT SR RIBBED .100CL



TE Part # 104588-1  
10 AMPMODU MTE COUPLING SHROUD

## Also in the Series | AMPMODU MTE



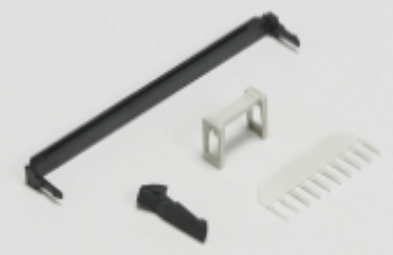
Insertion & Extraction Tools(2)




PCB Connector Shrouds(40)



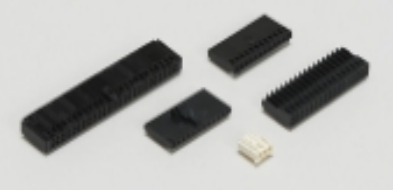
PCB Headers & Receptacles(763)




Ribbon Connector Accessories(1)



Standard Rectangular Connectors(2)

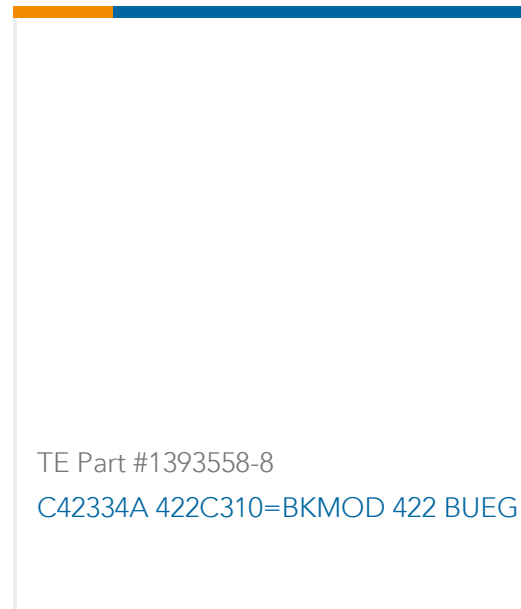
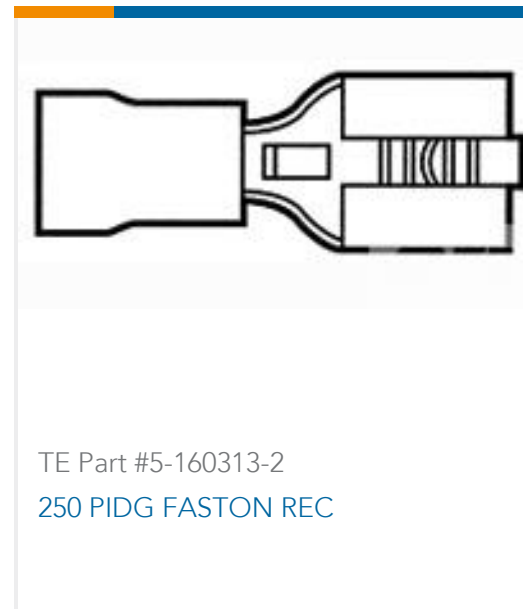
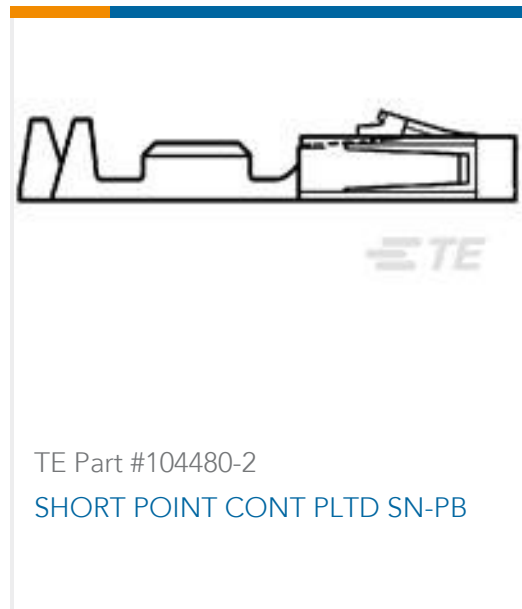


Wire-to-Board Connector Assemblies & Housings(585)



Wire-to-Board Connector Contacts(32)

## Customers Also Bought



## Documents

### Product Drawings

#### 10 MTE COUPLING SHRD DR

English

### CAD Files

#### Customer View Model

[ENG\\_CVM\\_CVM\\_103681-2\\_P.2d\\_dxf.zip](#)

English

#### 3D PDF

3D

#### Customer View Model

[ENG\\_CVM\\_CVM\\_103681-2\\_P.3d\\_igs.zip](#)

English

#### Customer View Model

[ENG\\_CVM\\_CVM\\_103681-2\\_P.3d\\_stp.zip](#)

English

By downloading the CAD file I accept and agree to the [Terms and Conditions](#) of use.

### Datasheets & Catalog Pages

#### AMPMODU\_INTERCONNECTION\_SYSTEM\_SECTION5\_CONT

English

#### AMPMODU MTE INTERCONNECT SYSTEM

English

### Product Specifications

#### Application Specification

English



[Instruction Sheets](#)

[Instruction Sheet \(U.S.\)](#)

English