

Multilock Connector System

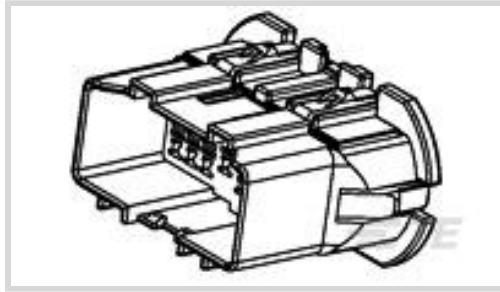
TE Internal #: 1-936366-1

Housing for Male Terminals, Wire-to-Panel, 25 Position, White, Signal, Panel Mount, Multilock Connector System

[View on TE.com >](#)



Connectors > Automotive Connectors > Connector Housings > MULTILOCK, CONNECTOR HOUSING



Connector & Housing Type: **Housing for Male Terminals**

Mating Tab Width: **2.28 mm [.09 in]**

Connector System: **Wire-to-Panel**

Number of Positions: **25**

Sealable: **No**

[All MULTILOCK, CONNECTOR HOUSING \(576\)](#)

Features

Product Type Features

Connector & Housing Shape	Rectangular
Connector & Housing Type	Housing for Male Terminals
Connector System	Wire-to-Panel
Sealable	No
Hybrid Connector	Yes
Primary Locking Feature	Integrated in Housing

Configuration Features

Number of Positions	25
---------------------	----

Body Features

Cable Exit Angle	180°
Body Material	PBT
Primary Product Color	White

Contact Features

Contact Size	2.3mm
Contact Type	Tab
Mating Tab Width	2.28 mm[.09 in]

Mechanical Attachment



Mounting Feature	Without
Terminal Position Assurance	No
Strain Relief	Without
Mating Alignment Type	Polarization Slot
Mating Alignment	With
Connector Mounting Type	Panel Mount

Dimensions

Product Width	37.7 mm[1.48 in]
Product Length	56 mm[2.2 in]
Product Height	30 mm[1.18 in]

Operation/Application

Circuit Application	Signal
---------------------	--------

Packaging Features

Packaging Quantity	42
Packaging Method	Tray

Other

Serviceable	No
Connector Position Assurance Capable	No

Product Compliance

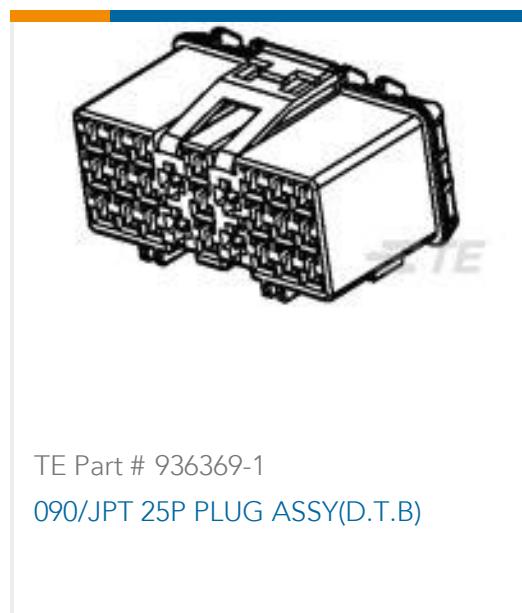
[For compliance documentation, visit the product page on TE.com>](#)

EU RoHS Directive 2011/65/EU	Compliant
EU ELV Directive 2000/53/EC	Compliant
China RoHS 2 Directive MIIT Order No 32, 2016	No Restricted Materials Above Threshold
EU REACH Regulation (EC) No. 1907/2006	Current ECHA Candidate List: JAN 2022 (223) Candidate List Declared Against: JAN 2022 (223) Does not contain REACH SVHC
Halogen Content	Low Halogen - Br, Cl, F, I < 900 ppm per homogenous material. Also BFR/CFR/PVC Free
Solder Process Capability	Not applicable for solder process capability

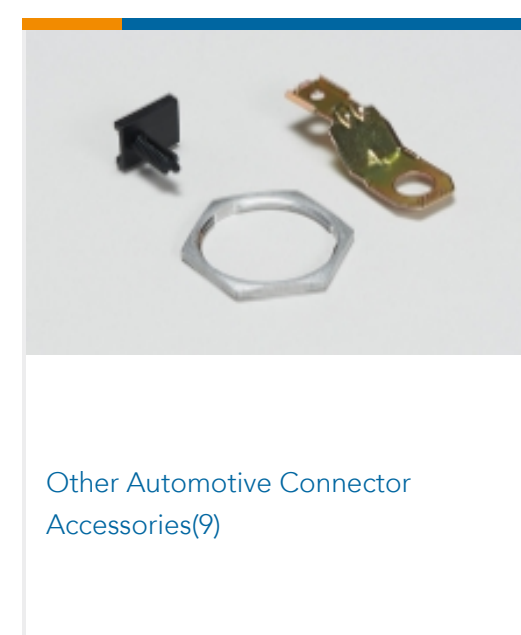
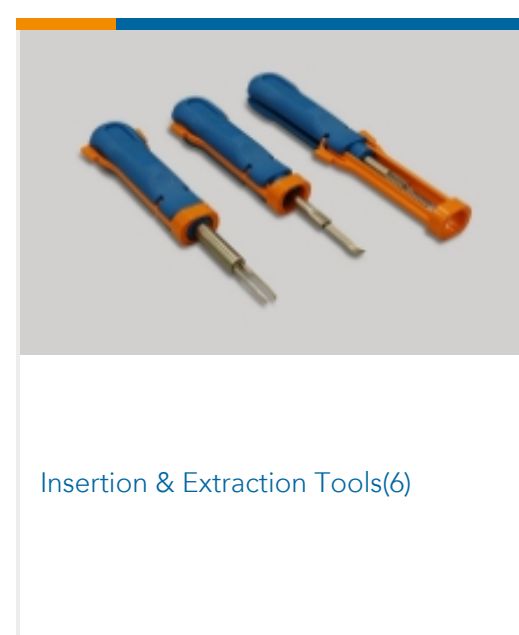
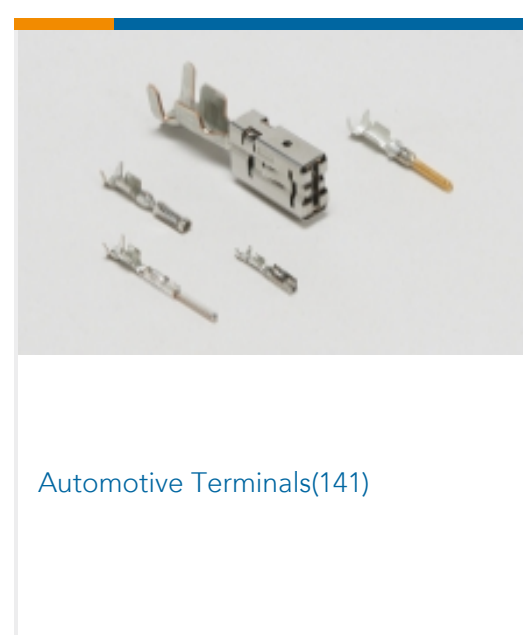
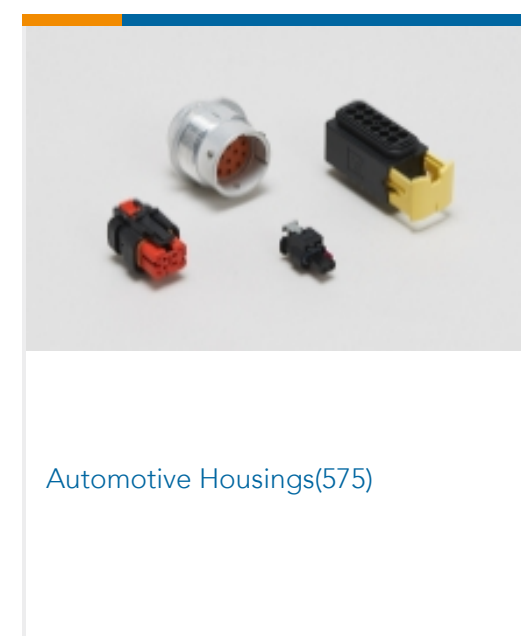
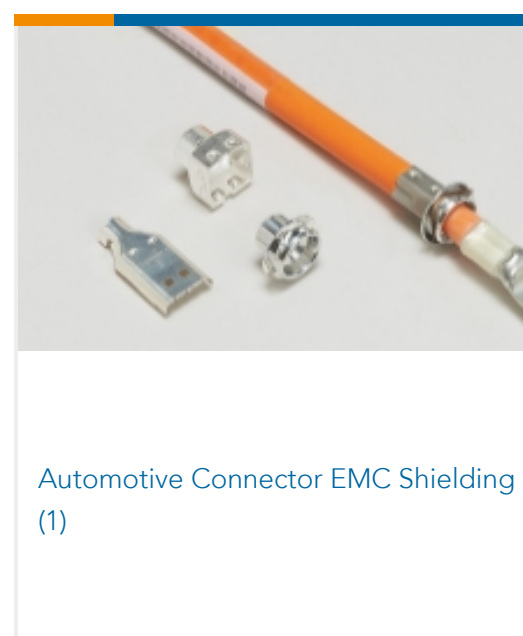
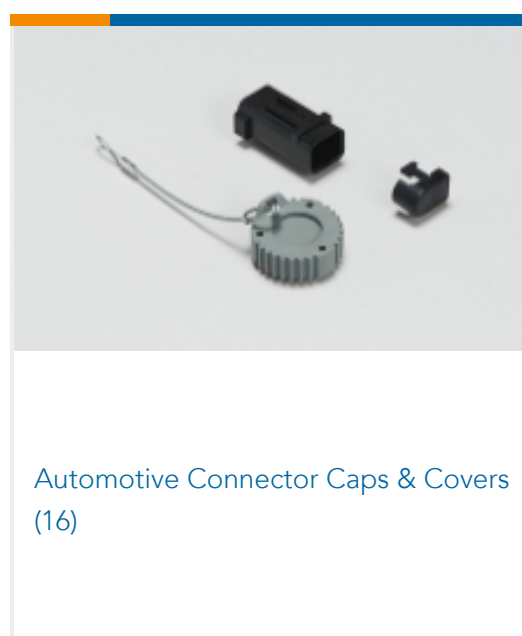
Product Compliance Disclaimer

This information is provided based on reasonable inquiry of our suppliers and represents our current actual knowledge based on the information they provided. This information is subject to change. The part numbers that TE has identified as EU RoHS compliant have a maximum concentration of 0.1% by weight in homogenous materials for lead, hexavalent chromium, mercury, PBB, PBDE, DBP, BBP, DEHP, DIBP, and 0.01% for cadmium, or qualify for an exemption to these limits as defined in the Annexes of Directive 2011/65/EU (RoHS2). Finished electrical and electronic equipment products will be CE marked as required by Directive 2011/65/EU. Components may not be CE marked. Additionally, the part numbers that TE has identified as EU ELV compliant have a maximum concentration of 0.1% by weight in homogenous materials for lead, hexavalent chromium, and mercury, and 0.01% for cadmium, or qualify for an exemption to these limits as defined in the Annexes of Directive 2000/53/EC (ELV). Regarding the REACH Regulation, the information TE provides on SVHC in articles for this part number is based on the latest European Chemicals Agency (ECHA) 'Guidance on requirements for substances in articles' posted at this URL: <https://echa.europa.eu/guidance-documents/guidance-on-reach>

Compatible Parts



Also in the Series | Multilock Connector System





PCB Headers & Receptacles(129)

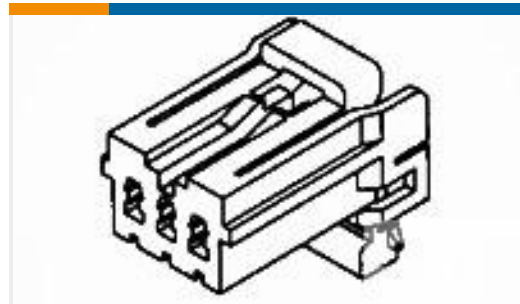
Customers Also Bought



TE Part #179228-6
CRIMP TYPE II RECPT HSG



TE Part #2327989-1
M12 X-CODE CAT6A



TE Part #1-174923-1
070 MLC W-W PLUG HSG 6P F/A



TE Part #927829-5
SPT REC 6.3 Contact SRC Ag



TE Part #1587828-3
INNER FERRULE, SIZE C, HVA280-2PI



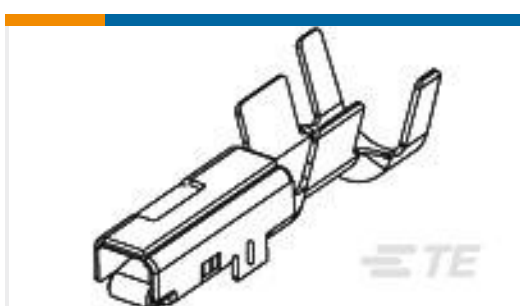
TE Part #1587829-3
OUTER FERRULE, SIZE C, HVA280-2PI



TE Part #1717269-1
PL EX 187 INSULATED FLAG REC PVC V-0



TE Part #2291362-2
4POS, PIN DIA 0.6, HEADER ASSY, CODE B



TE Part #368287-1
090 II SEALED REC



TE Part #2291362-3
4POS, PIN DIA 0.6, HEADER ASSY, CODE C

Documents

Product Drawings

[090/JPT 25P CAP ASSY\(DTB-RS\)](#)

CAD Files

Customer View Model

[ENG_CVM_CVM_1-936366-1_B.2d_dxf.zip](#)

English

[3D PDF](#)

3D



Customer View Model

[ENG_CVM_CVM_1-936366-1_B.3d_igs.zip](#)

English

Customer View Model

[ENG_CVM_CVM_1-936366-1_B.3d_stp.zip](#)

English

By downloading the CAD file I accept and agree to the [Terms and Conditions](#) of use.

Datasheets & Catalog Pages

[MULTILOCK Connector System](#)

English