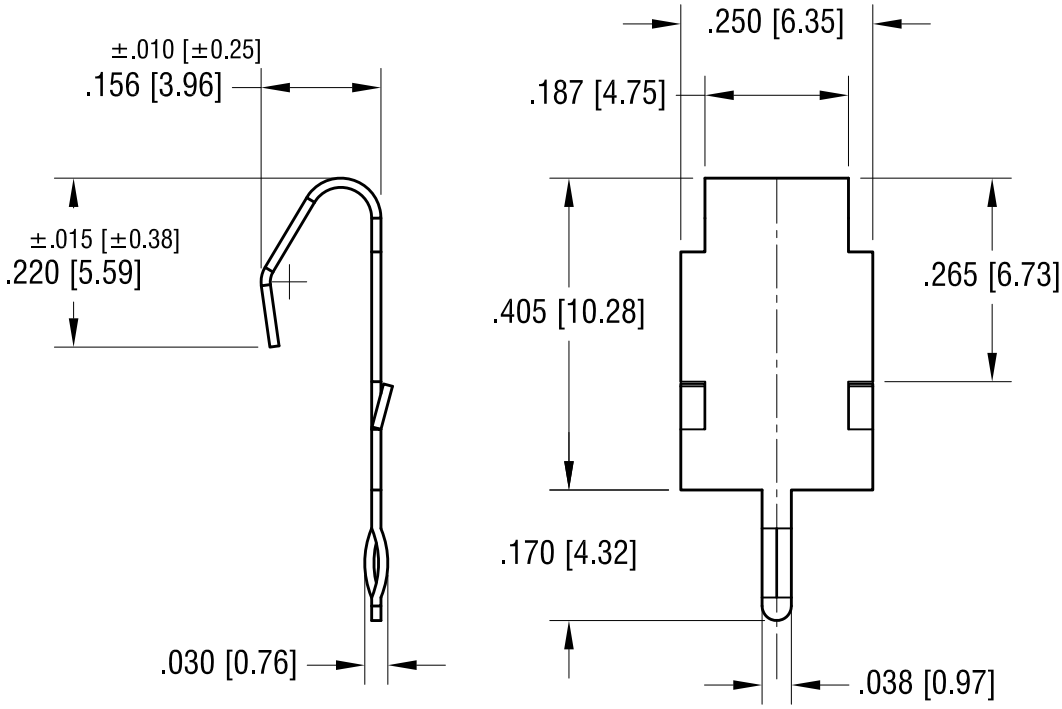


THIS DOCUMENT IS THE PROPERTY OF  
KEYSTONE ELECTRONICS CORP. AND  
SHALL NOT BE REPRODUCED, DISTRIBUTED  
OR USED AS A BASIS FOR MANUFACTURE  
WITHOUT PRIOR WRITTEN PERMISSION  
FROM KEYSTONE ELECTRONICS CORP.

ACTUAL SIZE



**KEYSTONE ELECTRONICS CORP.**

www.keyelco.com • ASTORIA, N.Y. 11105-2017 • Tel (718) 956-8900

PART NAME

THM BATTERY CONTACT

MATERIAL

.012 [0.30] TH'K STAINLESS STEEL

FINISH

TIN NICKEL PLATE

DRN BY

NT

DATE

1.06.11

APP'D

LN

SCALE

4X

10.10.13 CHANGE AS PER ECN 13-097

A

TOLERANCES

INCH [MM]

CODE

DWG NO.

DECIMAL  $\pm .005$  [ $\pm 0.13$ ]

C

1021-1

ANGULAR  $\pm 1^\circ$   
UNLESS OTHERWISE SPECIFIED

DATE

DESCRIPTION

REV.