



DEUTSCH | DEUTSCH DT

TE Internal #: 1011-030-0205

Other Automotive Connector Accessories, Mounting Clip, Wire-to-Wire, PA GF, Black, Wire & Cable, -55 – 125 °C [-67 – 257 °F],

DEUTSCH DT

[View on TE.com >](#)

Connectors > Automotive Connectors > Connector Accessories > Other Connector Accessories > DEUTSCH DT MOUNTING CLIPS



Automotive Connector Accessory Type: **Mounting Clip**

Connector System: **Wire-to-Wire**

Primary Product Material: **PA GF**

Primary Product Color: **Black**

Connector & Contact Terminates To: **Wire & Cable**

[All DEUTSCH DT MOUNTING CLIPS \(10\)](#)

Features

Product Type Features

Automotive Connector Accessory Type	Mounting Clip
Connector System	Wire-to-Wire
Connector & Contact Terminates To	Wire & Cable

Body Features

Primary Product Material	PA GF
Primary Product Color	Black

Usage Conditions

Compatible With Connector Style	Receptacle
Operating Temperature Range	-55 – 125 °C[-67 – 257 °F]

Packaging Features

Packaging Quantity	2500
Packaging Method	Box

Other

Serviceable	Yes
-------------	-----

Product Compliance



[For compliance documentation, visit the product page on TE.com>](#)

EU RoHS Directive 2011/65/EU	Compliant
EU ELV Directive 2000/53/EC	Compliant
China RoHS 2 Directive MIIT Order No 32, 2016	No Restricted Materials Above Threshold
EU REACH Regulation (EC) No. 1907/2006	Current ECHA Candidate List: JAN 2022 (223) Candidate List Declared Against: JAN 2022 (223) Does not contain REACH SVHC
Halogen Content	Not Low Halogen - contains Br or Cl > 900 ppm.
Solder Process Capability	Not reviewed for solder process capability

Product Compliance Disclaimer

This information is provided based on reasonable inquiry of our suppliers and represents our current actual knowledge based on the information they provided. This information is subject to change. The part numbers that TE has identified as EU RoHS compliant have a maximum concentration of 0.1% by weight in homogenous materials for lead, hexavalent chromium, mercury, PBB, PBDE, DBP, BBP, DEHP, DIBP, and 0.01% for cadmium, or qualify for an exemption to these limits as defined in the Annexes of Directive 2011/65/EU (RoHS2). Finished electrical and electronic equipment products will be CE marked as required by Directive 2011/65/EU. Components may not be CE marked. Additionally, the part numbers that TE has identified as EU ELV compliant have a maximum concentration of 0.1% by weight in homogenous materials for lead, hexavalent chromium, and mercury, and 0.01% for cadmium, or qualify for an exemption to these limits as defined in the Annexes of Directive 2000/53/EC (ELV). Regarding the REACH Regulation, the information TE provides on SVHC in articles for this part number is based on the latest European Chemicals Agency (ECHA) 'Guidance on requirements for substances in articles' posted at this URL: <https://echa.europa.eu/guidance-documents/guidance-on-reach>

Compatible Parts

 <p>TE Part # CAT-D487-CH8172 DEUTSCH DT Series Housings & Connectors</p>	 <p>TE Part # CAT-D48-PCH8172 DEUTSCH DTHD HOUSINGS</p>	 <p>TE Part # CAT-D486-CH8172 DEUTSCH DTP HOUSINGS</p>	 <p>TE Part # CAT-D485-CH8172 DEUTSCH DTM HOUSINGS</p>
 <p>TE Part # DTM04-12PA-EE04 REC, 12P, BLK, N, HIGH TEMP, A</p>	 <p>TE Part # DTM04-08PC REC, 8P, GRN, N, C</p>	 <p>TE Part # 1-2350890-2 20POS, HYBRID, SOC HSG ASSY, SLD, COD B</p>	 <p>TE Part # 1-2350890-3 20POS, HYBRID, SOC HSG ASSY, SLD, COD C</p>




TE Part # 1-2350890-4
20POS, HYBRID, SOC HSG ASSY, SLD, COD D



TE Part # 2318967-1
24POS, AMP MCP 2.8, REC HSG ASSY, SLD



TE Part # 2319023-1
8POS, AMP MCP 2.8, REC HSG ASSY, SLD



TE Part # 2319023-2
8POS, AMP MCP 2.8, REC HSG ASSY, SLD



TE Part # 2350890-1
20POS, HYBRID, SOC HSG ASSY, SLD, COD A



TE Part # 2350890-2
20POS, HYBRID, SOC HSG ASSY, SLD, COD B



TE Part # 2350890-3
20POS, HYBRID, SOC HSG ASSY, SLD, COD C



TE Part # 2350890-4
20POS, HYBRID, SOC HSG ASSY, SLD, COD D



TE Part # 2350891-1
20POS, HYBRID, PIN HSG ASSY, SLD, COD A



TE Part # 2350891-2
20POS, HYBRID, PIN HSG ASSY, SLD, COD B



TE Part # 2350891-3
20POS, HYBRID, PIN HSG, SLD, COD C

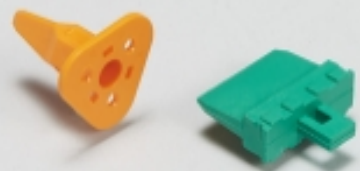


TE Part # 2350891-4
20POS, HYBRID, PIN HSG ASSY, SLD, COD D


Also in the Series | DEUTSCH DT



Automotive Connector Caps & Covers (98)




Automotive Connector Locks & Position Assurance (73)




Automotive Housings (619)



Automotive Seals & Cavity Plugs (4)



Insertion & Extraction Tools (3)

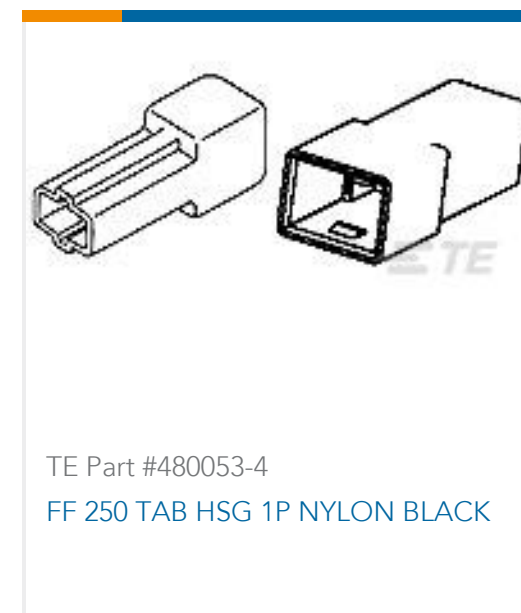


Other Automotive Connector Accessories (14)



PCB Headers & Receptacles (106)

Customers Also Bought



Documents

Product Drawings

CLIP, PA66, BLK, T-STUD, ST

English

CAD Files

3D PDF

3D

Customer View Model

[ENG_CVM_CVM_1011-030-0205_99_c-1011-030-0205-99.2d_dxf.zip](#)

English

Customer View Model

[ENG_CVM_CVM_1011-030-0205_99_c-1011-030-0205-99.3d_igs.zip](#)

English

Customer View Model

[ENG_CVM_CVM_1011-030-0205_99_c-1011-030-0205-99.3d_stp.zip](#)

English

By downloading the CAD file I accept and agree to the [Terms and Conditions](#) of use.

Datasheets & Catalog Pages

CONNECTOR SELECTOR

English

Product Specifications

Application Specification

English

Instruction Sheets

Instruction Sheet (U.S.)



English