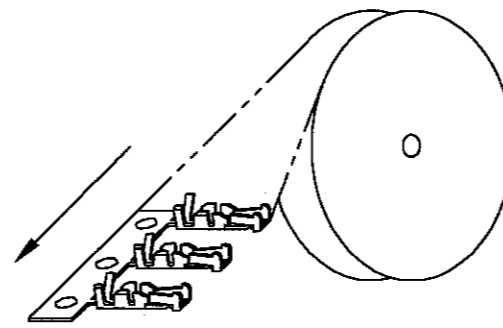
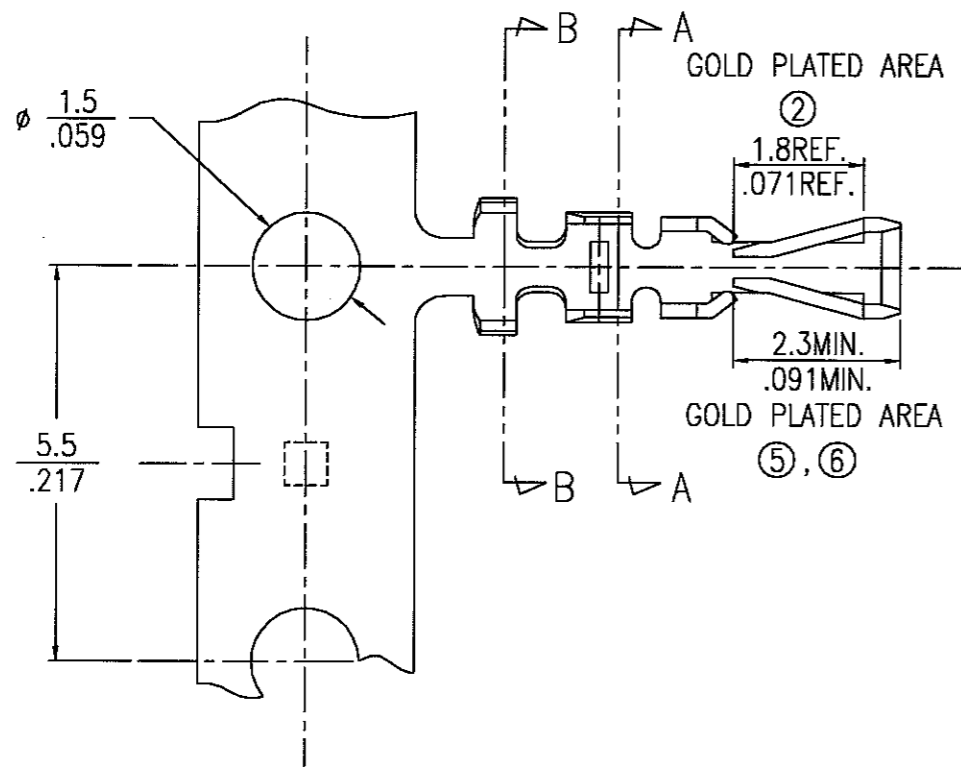
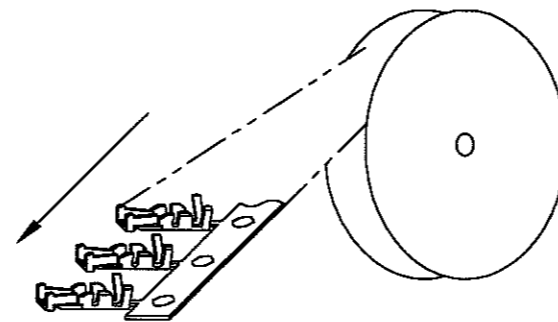


PRODUCT NO.	FINISH	UNREELING DIRECTION
10044403-101	⑥	FIG. 1

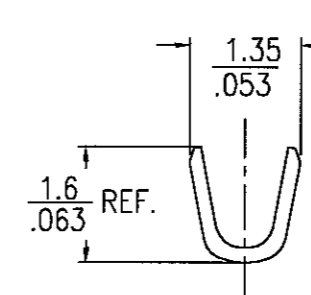
REVISIONS				
REV	DESCRIPTION	ECN	BY	DATE
1	SKETCHED		M.H	8/25/04
A	RELEASED	J05-0052	M.H	2/1/05



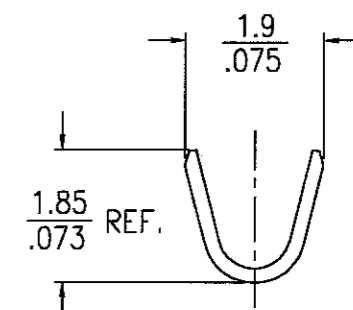
⑦ FIG.1



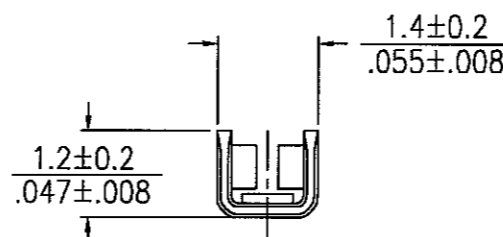
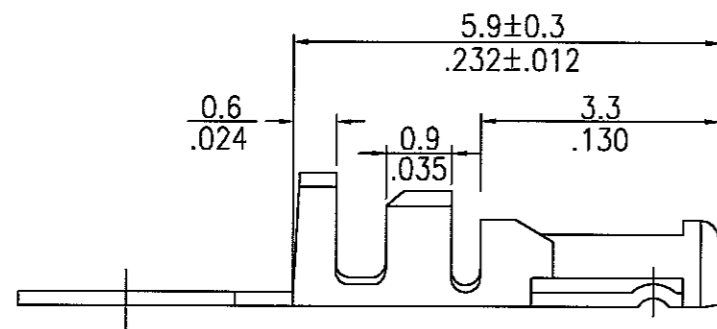
⑦ FIG.2



SECT. A-A




SECT. B-B



NOTES :

- 1 MATERIAL : PHOSPHOR BRONZE
- ② FINISH : SELECTIVE GOLD PLATING 0.76μm MIN. (CONTACT AREA) OVER NICKEL
- 3 APPLICABLE WIRE : LEONI FLRY0.35-A(P/N 76753010K) 1.35 DIA. MAX.
- 4 GENERAL TOLERANCE : ± $\frac{0.25}{.010}$
- ⑤ FINISH : SELECTIVE GOLD PLATING 0.5μm MIN. (CONTACT AREA) OVER NICKEL
- ⑥ FINISH : SELECTIVE GOLD PLATING 0.76μm MIN. (CONTACT AREA) OVER NICKEL
- ⑦ SEE FIG. 1, 2 FOR UNREELING DIRECTION AFTER PLATING.

SHEET INDEX	ISSUE	A																		
	SH NO.	1																		
TOLERANCES UNLESS OTHERWISE SPECIFIED		MAT		DR	DATE	CUSTOMER COPY		TITLE												
		SEE NOTE ①		M. Hasegawa	2/1/05	COPY		MINITEK TERMINAL (FOR FLRY 0.35-A)												
LINEAR			FINISH	ENGR	DATE	THIRD ANGLE PROJ		PRODUCT FAMILY				CODE								
				SEE NOTE ②, ⑤, ⑥	M. Hasegawa	2/1/05	MM		5MUF Minitek Terminals				JP							
ANGLES				CHK	DATE	UNIT		SCALE	SIZE	DWG. NO.	REV	SHEET								
				M. Hasegawa	2/1/05	MM		10/1	B	10044403	A	1 of 1								



DO NOT SCALE PRINT THIS INFORMATION IS CONFIDENTIAL AND IS DISCLOSED TO YOU ON CONDITION THAT NO FURTHER DISCLOSURE IS MADE BY YOU TO OTHER THAN FCI PERSONNEL WITHOUT WRITTEN AUTHORIZATION FROM FCI JAPAN K.K.