

1-967616-1 ✓ ACTIVE

AMP | MQS

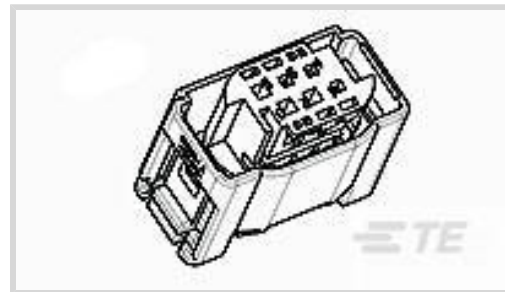
TE Internal #: 1-967616-1

Housing for Female Terminals, Wire-to-Wire, 6 Position, .157 in [2.54 mm] Centerline, Sealable, Black, Signal, Cable Mount (Free-Hanging), MQS

[View on TE.com >](#)



Connectors > Automotive Connectors > Connector Housings > MQS, CONNECTOR HOUSING



Connector & Housing Type: **Housing for Female Terminals**

Mating Tab Width: **.63 mm [.025 in]**

Connector System: **Wire-to-Wire**

Number of Positions: **6**

Centerline (Pitch): **2.54 mm [.157 in]**

[All MQS, CONNECTOR HOUSING \(557\)](#)

Features

Product Type Features

Connector & Housing Shape	Rectangular
Connector & Housing Type	Housing for Female Terminals
Connector System	Wire-to-Wire
Sealable	Yes
Hybrid Connector	No
Primary Locking Feature	On the Terminal

Configuration Features

Number of Positions	6
Number of Rows	2

Body Features

Cable Exit Angle	180°
Body Material	PBT GF
Primary Product Color	Black
Connector Code	A

Contact Features

Contact Size	.63mm
Contact Type	Receptacle



Mating Tab Width	.63 mm[.025 in]
------------------	-----------------

Mechanical Attachment

Mounting Feature	Without
Terminal Position Assurance	Yes
Strain Relief	Without
Mating Alignment Type	Keyed
Mating Alignment	With
Connector Mounting Type	Cable Mount (Free-Hanging)

Housing Features

Centerline (Pitch)	2.54 mm[.157 in]
--------------------	------------------

Dimensions

Product Width	17 mm[.669 in]
Product Length	24 mm[.945 in]
Product Height	30.4 mm[1.197 in]
Row-to-Row Spacing	5.9 mm[.232 in]

Usage Conditions

Operating Temperature (Max)	70 °C, 75 °C, 80 °C, 85 °C, 90 °C, 100 °C, 105 °C, 110 °C, 120 °C[158 °F][167 °F][176 °F][185 °F][194 °F][212 °F][221 °F][230 °F][248 °F]
Operating Temperature Range	-40 – 120 °C[-40 – 248 °F]

Operation/Application

Circuit Application	Signal
---------------------	--------

Industry Standards

Degree of Protection	IPX9K
----------------------	-------

Packaging Features

Packaging Method	Bag
------------------	-----

Other

Serviceable	No
Connector Position Assurance Capable	No

Product Compliance

For compliance documentation, visit the product page on [TE.com](https://www.te.com)>

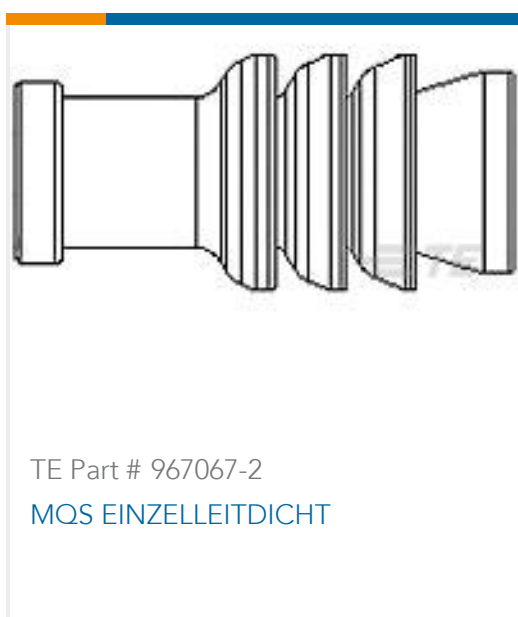


EU RoHS Directive 2011/65/EU	Compliant
EU ELV Directive 2000/53/EC	Compliant
China RoHS 2 Directive MIIT Order No 32, 2016	No Restricted Materials Above Threshold
EU REACH Regulation (EC) No. 1907/2006	Current ECHA Candidate List: JAN 2022 (223) Candidate List Declared Against: JAN 2022 (223) Does not contain REACH SVHC
Halogen Content	Not Low Halogen - contains Br or Cl > 900 ppm.
Solder Process Capability	Not applicable for solder process capability

Product Compliance Disclaimer

This information is provided based on reasonable inquiry of our suppliers and represents our current actual knowledge based on the information they provided. This information is subject to change. The part numbers that TE has identified as EU RoHS compliant have a maximum concentration of 0.1% by weight in homogenous materials for lead, hexavalent chromium, mercury, PBB, PBDE, DBP, BBP, DEHP, DIBP, and 0.01% for cadmium, or qualify for an exemption to these limits as defined in the Annexes of Directive 2011/65/EU (RoHS2). Finished electrical and electronic equipment products will be CE marked as required by Directive 2011/65/EU. Components may not be CE marked. Additionally, the part numbers that TE has identified as EU ELV compliant have a maximum concentration of 0.1% by weight in homogenous materials for lead, hexavalent chromium, and mercury, and 0.01% for cadmium, or qualify for an exemption to these limits as defined in the Annexes of Directive 2000/53/EC (ELV). Regarding the REACH Regulation, the information TE provides on SVHC in articles for this part number is based on the latest European Chemicals Agency (ECHA) 'Guidance on requirements for substances in articles' posted at this URL: <https://echa.europa.eu/guidance-documents/guidance-on-reach>

Compatible Parts



TE Part # 967067-2
MQS EINZELLEITDICHT



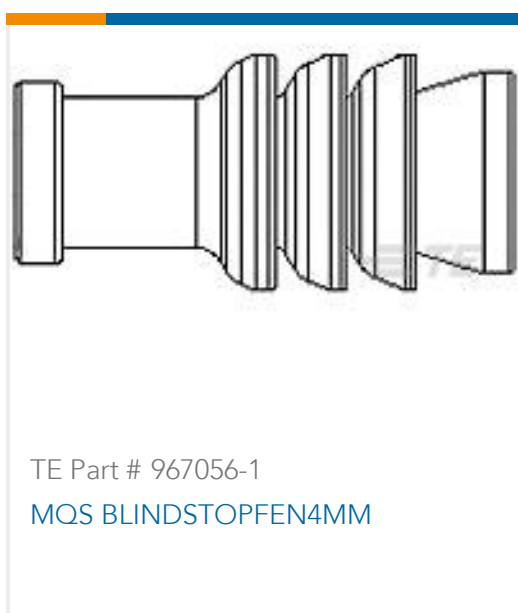
TE Part # 1-967587-3
6POS MQS TAB SEALED COD A



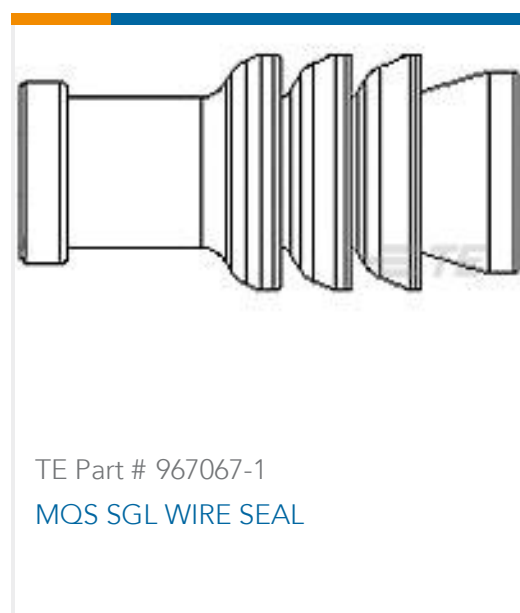
TE Part # CAT-M8793-T273
MQS, RECEPTACLE AND TAB



TE Part # 1241637-1
6pos MQS .63 header 90deg



TE Part # 967056-1
MQS BLINDSTOPFEN4MM



TE Part # 967067-1
MQS SGL WIRE SEAL



TE Part # 1241637-3
6pos MQS .63 header 90deg



TE Part # 1897096-2
WIRE COVER FOR MQS SLD 6P CONN'R

Also in the Series | MQS



Automotive Connector Caps & Covers (131)



Automotive Connector EMC Shielding (2)



Automotive Connector Locks & Position Assurance(29)



Automotive Housings(489)



Automotive Seals & Cavity Plugs(26)



Automotive Terminals(96)



Insertion & Extraction Tools(42)



Other Automotive Connector Accessories(13)

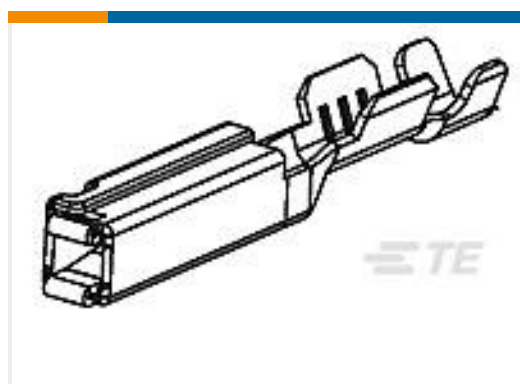


PCB Headers & Receptacles(207)

Customers Also Bought



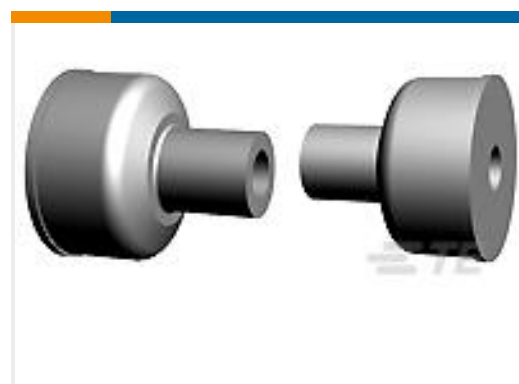
TE Part #5-965906-1
MQS, RECEPTACLE AND TAB



TE Part #1393364-2
V23540X7000Y 12=GET FEM TERM A



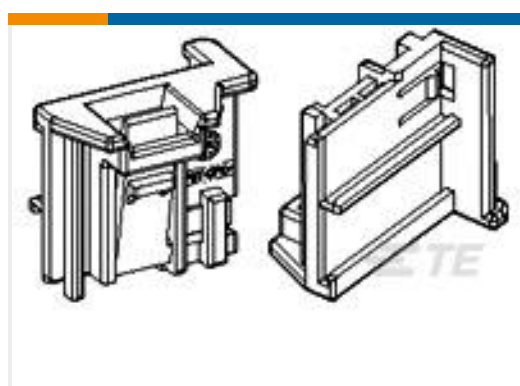
TE Part #2005154-1
025 TAB CONTACT(S)



TE Part #347713-1
2.0MM CABLE SEAL HC SILIC



TE Part #2137216-1
3P SPLASH PROOF CONNECTOR ASS'



TE Part #1355081-4
MQS RETAINER



TE Part #2822354-2
070 TYPE RUBBER PLUG



TE Part #881504-5
FF 110 REC 0.30-0.56 MM2 0.25X12.3 PTPBR



Documents

Product Drawings

[6POS MQS REC SEALED COD A](#)

English

CAD Files

Customer View Model

[ENG_CVM_CVM_1-967616-1_F.2d_dxf.zip](#)

English

[3D PDF](#)

3D

Customer View Model

[ENG_CVM_CVM_1-967616-1_F.3d_igs.zip](#)

English

Customer View Model

[ENG_CVM_CVM_1-967616-1_F.3d_stp.zip](#)

English

By downloading the CAD file I accept and agree to the [Terms and Conditions](#) of use.

Datasheets & Catalog Pages

[Micro Quadlok Interconnection System \(MQS\)](#)

English

Product Specifications

[Application Specification](#)

English

[CONNEXIONS ETANCHES 2,3,4,6,8 ET 12 POSITIONS Micro Quadlock System Micro Twinleaf](#)

English

[Application Specification](#)

English

[SHROUDED CONNECTION, 6 POS.](#)

English

[Application Specification](#)

English