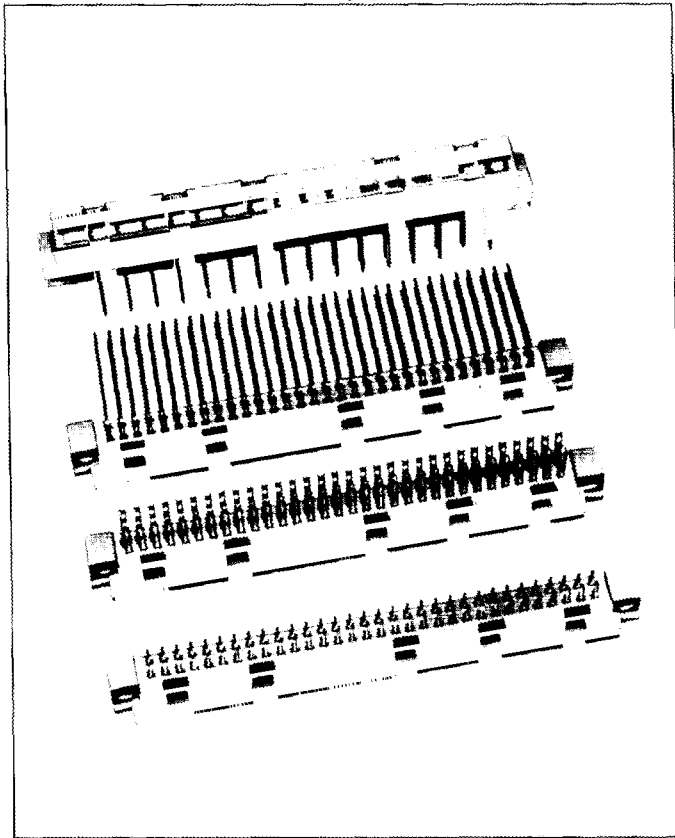


# D12 HI-CON™ Eurocard DIN Connectors

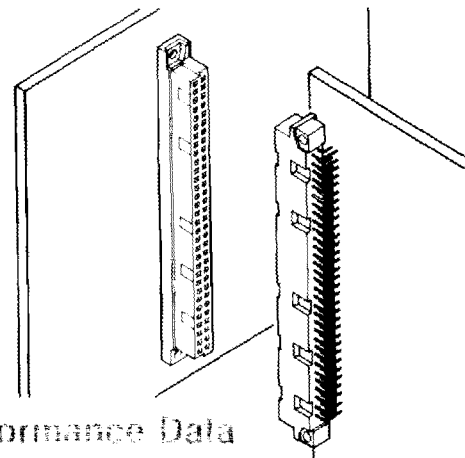
## Standard DIN Type B and Half B Series 100 Male



The two-row B and Half B male connectors are offered in 16, 32 and 64 pin configurations with a wide variety of termination styles. With 32 pins per row, the type B connector is full-size as defined by DIN 41612 and EC603-2 standards. It is ideally suited for a wide range of board-to-board connector applications, including computer and industrial equipment. Type Half B utilizes the same high quality contacts and insulator material as type B. Type Half B is designed for today's smaller packaging requirements.

**D**

Consult factory for first make, last break pin configurations.



### Performance Data

#### MATERIALS

**Insulator Material:** Glass-Filled Polyester  
Color Gray  
U.L. Flammability 94V-0

**Contact Material:** Brass

**Contact Plating:** Selective Minimum Gold Over Nickel  
30μ" (.762μm) Gold = Performance Level 1  
15μ" (.381μm) Gold = Performance Level 2  
8μ" (.20μm) Gold = Performance Level 3

#### MECHANICAL

**Insertion Force (Maximum/Contact):** 3.35 oz. (1.5N)

**Vibration:** 10 to 2000 Hz. 1.5mm Amplitude\*

#### ELECTRICAL

**Withstanding Voltage:** 1000 VRMS

**Current Rating:** 3 Amps Maximum per U.L.\*

**Contact Resistance:** <20 Milliohms

**Insulation Resistance:** 10<sup>12</sup> Ohms

**Creepage:** 1.8mm Contact/Chassis  
1.2mm Contact/Contact

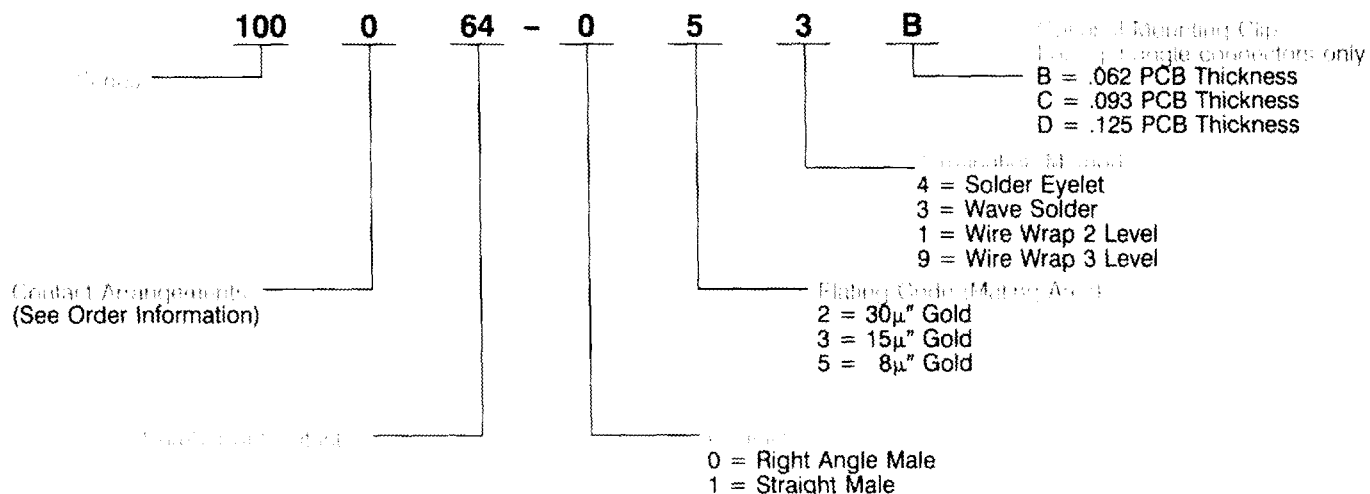
**Clearance:** 1.6mm Contact/Chassis  
1.2mm Contact/Contact

#### TEMPERATURE

**Range:** -67°F to +257°F (-55°C to +125°C)\*

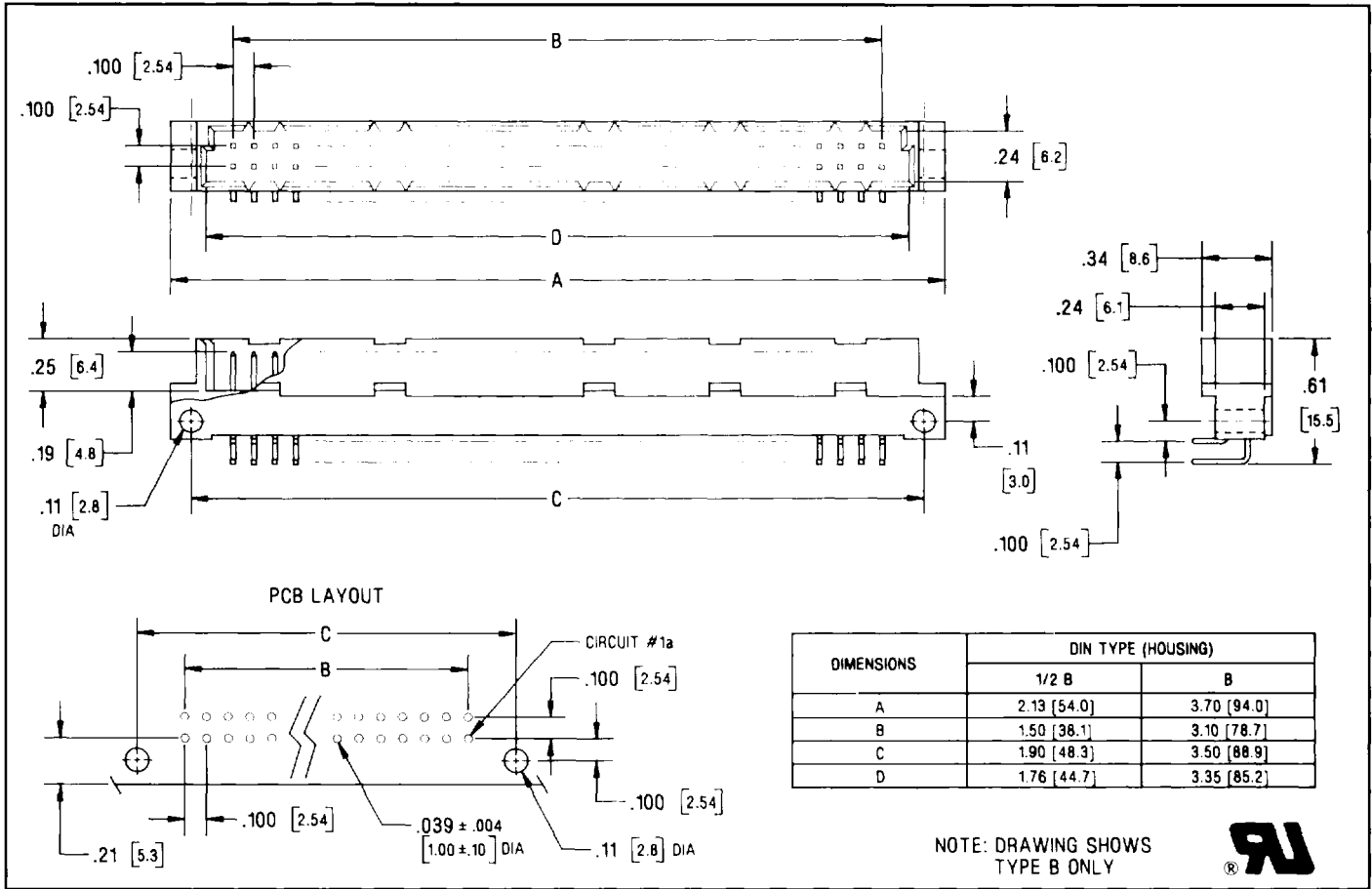
\*For detail information see pages D6-D8

### Part Number System



# HI-CON™ Eurocard DIN Connectors D13

## Standard DIN Type B and Half B Series 100 Male Dimension Drawing



### Ordering Information

Contact Arrangement			Wave Solder		Wire Wrapping		Solder Eyelet		Contact Plating (μ" Gold)
			Angled	Straight*	Angled	Straight*	Straight*		
Number of Contacts	Rows Equipped	Positions Equipped	.114" (2.9)	.157" (4.0)	.512" (13)	.512" (13)	.307" (7.8)		
TYPE HALF B	16	a	ALL	100-116-023	100-116-123	100-116-021	100-116-121	100-116-124	30
				100-116-033	100-116-133	100-116-031	100-116-131	100-116-134	15
				100-116-053	100-116-153	100-116-051	100-116-151	100-116-154	8
	16	a+b	EVEN	100-616-023	100-616-123	100-616-021	100-616-121	100-616-124	30
				100-616-033	100-616-133	100-616-031	100-616-131	100-616-134	15
				100-616-053	100-616-153	100-616-051	100-616-151	100-616-154	8
	32	a+b	ALL	100-632-023	100-632-123	100-632-021	100-632-121	100-632-124	30
				<b>100-632-033</b>	100-632-133	100-632-031	100-632-131	100-632-134	15
				<b>100-632-053</b>	100-632-153	100-632-051	100-632-151	100-632-154	8
TYPE B	32	a	ALL	100-232-023	100-232-123	100-232-021	100-232-121	100-232-124	30
				100-232-033	100-232-133	100-232-031	100-232-131	100-232-134	15
				100-232-053	100-232-153	100-232-051	100-232-151	100-232-154	8
	32	a+b	EVEN	100-532-023	100-532-123	100-532-021	100-532-121	100-532-124	30
				100-532-033	100-532-133	100-532-031	100-532-131	100-532-134	15
				100-532-053	100-532-153	100-532-051	100-532-151	100-532-154	8
	64	a+b	ALL	100-064-023	100-064-123	100-064-021	100-064-121	100-064-124	30
				<b>100-064-033</b>	100-064-133	100-064-031	100-064-131	100-064-134	15
				<b>100-064-053</b>	100-064-153	100-064-051	100-064-151	100-064-154	8

1. \*Series 100 straight pin males are identical to DIN 41612 connectors but do not conform to mounting dimensions.  
2. Emphasized part numbers represent the most popular in this series.

D