

1-215882-4 ✓ ACTIVE

AMP-LATCH | AMP-LATCH - NOVO

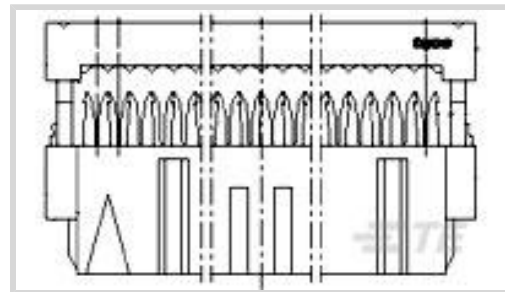
TE Internal #: 1-215882-4

Ribbon Cable Connectors, Wire-to-Board, 14 Position, .1 in [2.54 mm] Centerline, Insulation Displacement (IDC), 2 Row, Receptacle, AMP-LATCH - NOVO

[View on TE.com >](#)



Connectors > PCB Connectors > Wire-to-Board Connectors > FFC, FPC & Ribbon Connectors > Ribbon Cable Connectors



Connector System: **Wire-to-Board**

Number of Positions: **14**

Centerline (Pitch): **2.54 mm [ .1 in ]**

Termination Method to Wire & Cable: **Insulation Displacement (IDC)**

Row-to-Row Spacing: **2.54 mm [ .1 in ]**

## Features

### Product Type Features

|                                   |                    |
|-----------------------------------|--------------------|
| Connector Product Type            | Connector Assembly |
| Connector System                  | Wire-to-Board      |
| Connector & Housing Type          | Receptacle         |
| Connector & Contact Terminates To | Wire & Cable       |

### Configuration Features

|                                   |              |
|-----------------------------------|--------------|
| Compatible With Wire & Cable Type | Ribbon Cable |
| Number of Positions               | 14           |
| Number of Rows                    | 2            |

### Contact Features

|   |                            |
|---|----------------------------|
| Mating Square Post Dimension                    | .64 mm[.025 in]            |
| Mating Pin Diameter                             | .64 mm[.025 in]            |
| Wire Contact Termination Area Plating Thickness | 2.54 $\mu$ m[100 $\mu$ in] |
| Wire Contact Termination Area Plating Material  | Tin                        |
|   | 30 $\mu$ in                |
| Contact Mating Area Plating Material            | Gold                       |
| Contact Current Rating (Max)                    | 1 A                        |

### Termination Features

|                                    |                               |
|------------------------------------|-------------------------------|
| Termination Method to Wire & Cable | Insulation Displacement (IDC) |
|------------------------------------|-------------------------------|



### Mechanical Attachment

|                         |                            |
|-------------------------|----------------------------|
| Mating Alignment Type   | Polarization               |
| Mating Retention        | Without                    |
| Connector Mounting Type | Cable Mount (Free-Hanging) |

### Housing Features

|                    |                |
|--------------------|----------------|
| Housing Color      | Gray           |
| Centerline (Pitch) | 2.54 mm[.1 in] |

### Dimensions

|                    |                |
|--------------------|----------------|
| Row-to-Row Spacing | 2.54 mm[.1 in] |
|--------------------|----------------|

### Usage Conditions

|                             |                            |
|-----------------------------|----------------------------|
| Operating Temperature Range | -55 – 125 °C[-67 – 257 °F] |
|-----------------------------|----------------------------|

### Operation/Application

|                     |        |
|---------------------|--------|
| Circuit Application | Signal |
|---------------------|--------|

## Product Compliance

[For compliance documentation, visit the product page on TE.com>](#)

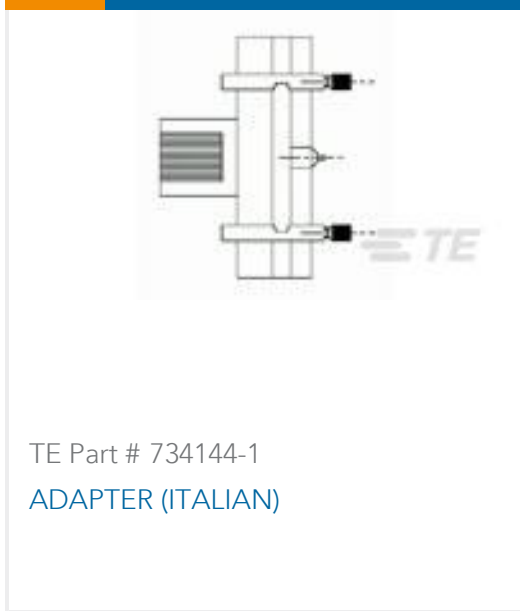
|   |   |
|---|---|
| EU RoHS Directive 2011/65/EU                  | Compliant   |
| EU ELV Directive 2000/53/EC                   | Compliant   |
| China RoHS 2 Directive MIIT Order No 32, 2016 | No Restricted Materials Above Threshold   |
| EU REACH Regulation (EC) No. 1907/2006        | Current ECHA Candidate List: JAN 2022 (223)<br>Candidate List Declared Against: JAN 2022 (223)<br>Does not contain REACH SVHC |
| Halogen Content                               | Not Low Halogen - contains Br or Cl > 900 ppm.  |
| Solder Process Capability                     | Not applicable for solder process capability  |

#### Product Compliance Disclaimer

This information is provided based on reasonable inquiry of our suppliers and represents our current actual knowledge based on the information they provided. This information is subject to change. The part numbers that TE has identified as EU RoHS compliant have a maximum concentration of 0.1% by weight in homogenous materials for lead, hexavalent chromium, mercury, PBB, PBDE, DBP, BBP, DEHP, DIBP, and 0.01% for cadmium, or qualify for an exemption to these limits as defined in the Annexes of Directive 2011/65/EU (RoHS2). Finished electrical and electronic equipment products will be CE marked as required by Directive 2011/65/EU. Components may not be CE marked. Additionally, the part numbers that TE has identified as EU ELV compliant have a maximum concentration of 0.1% by weight in homogenous materials for lead, hexavalent chromium, and mercury, and 0.01% for cadmium, or qualify for an exemption to these limits as defined in the Annexes of Directive 2000/53/EC (ELV). Regarding the REACH Regulation, the information TE provides

on SVHC in articles for this part number is based on the latest European Chemicals Agency (ECHA) 'Guidance on requirements for substances in articles' posted at this URL: <https://echa.europa.eu/guidance-documents/guidance-on-reach>

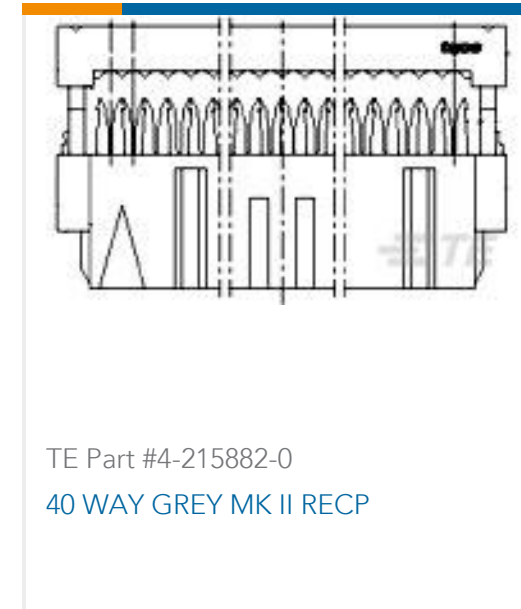
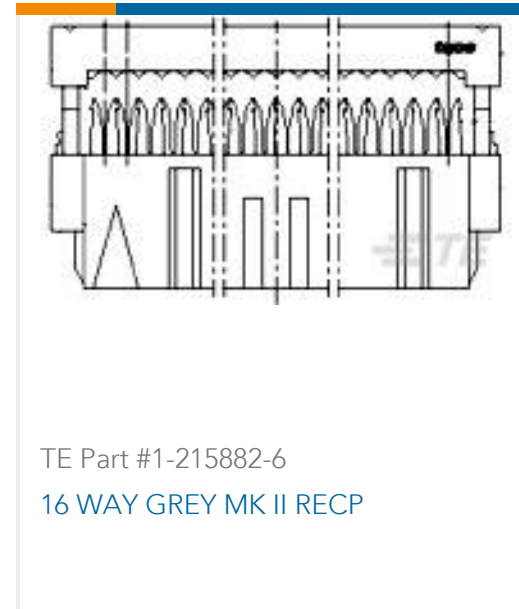
## Compatible Parts

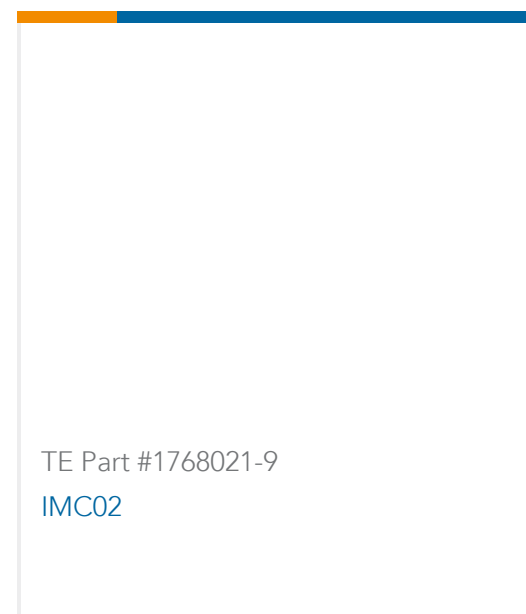
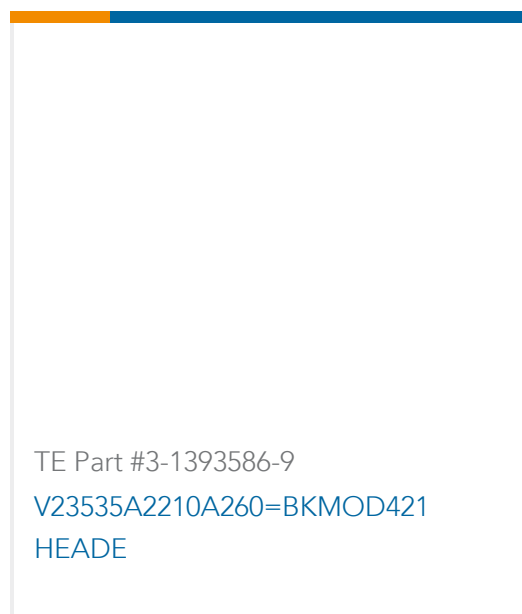


## Also in the Series | AMP-LATCH - NOVO



## Customers Also Bought





## Documents

### Product Drawings

#### 14 WAY GREY MK II RECP

Japanese

### CAD Files

#### Customer View Model

[ENG\\_CVM\\_CVM\\_1-215882-4\\_G.2d\\_dxf.zip](#)

English

#### 3D PDF

3D

#### Customer View Model

[ENG\\_CVM\\_CVM\\_1-215882-4\\_G.3d\\_igs.zip](#)

English

#### Customer View Model

[ENG\\_CVM\\_CVM\\_1-215882-4\\_G.3d\\_stp.zip](#)

English

By downloading the CAD file I accept and agree to the [Terms and Conditions](#) of use.

### Product Specifications

#### Application of AMP-LATCH, Ribbon Cable Connectors

English

#### Application Specification

English

### Product Environmental Compliance

[MD\\_1-215882-4\\_121620161122\\_dmtec](#)

English

[MD\\_1-215882-4\\_121620161122\\_dmtec](#)

English