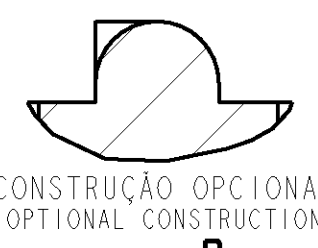
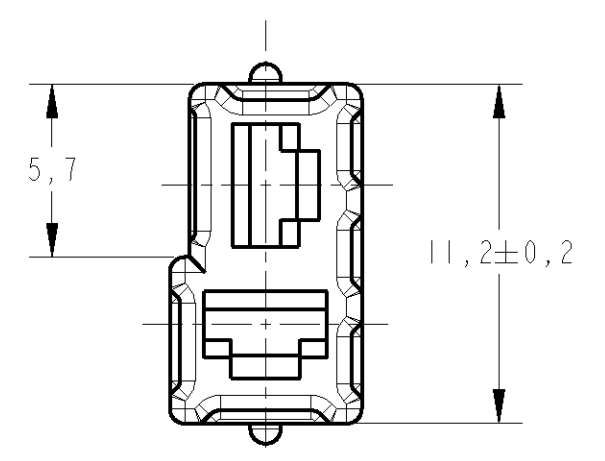
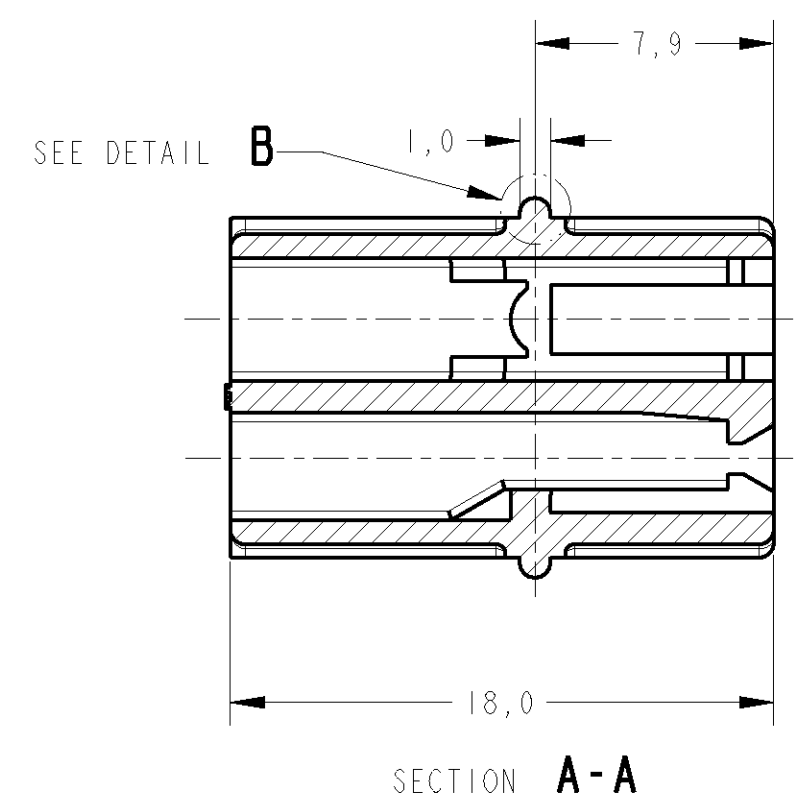
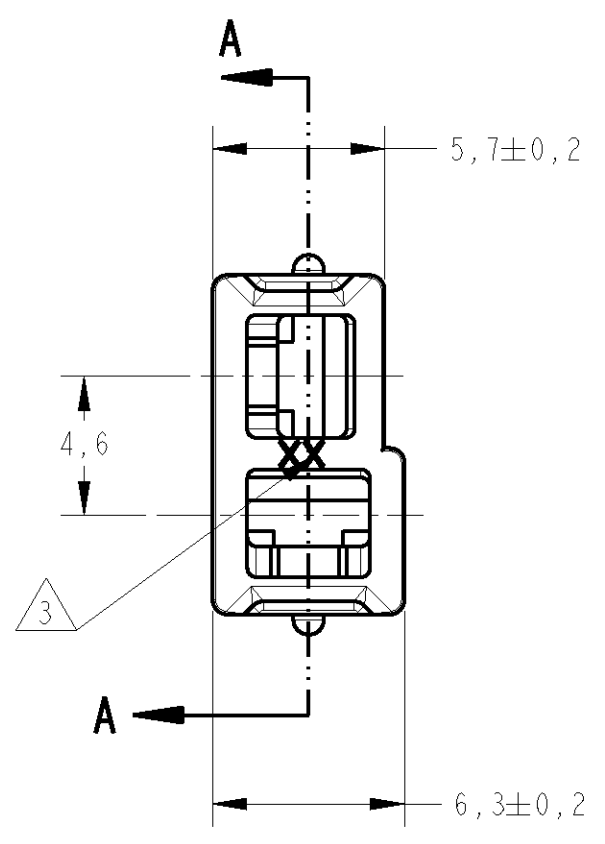


THIS DRAWING IS UNPUBLISHED. RELEASED FOR PUBLICATION  
 © COPYRIGHT - BY TYCO ELECTRONICS CORPORATION. ALL RIGHTS RESERVED.

LOC	DIST	REVISIONS				
P	LTR	DESCRIPTION	DATE	DWN	APVD	
AP	-					
	J	REVISED BY ECO-06-022171	29OCT2006	NCL	PLF	
	K	REVISED BY ECO-06-024906	28NOV2006	RKTL	PLF	
	KI	REVISED BY ECO-07-003216	09FEB2007	RKTL	PLF	

**CAD**  
**DO NOT REVISE EXCEPT BY CAD**



CONSTRUÇÃO OPCIONAL  
 OPTIONAL CONSTRUCTION  
 DETAIL B  
 SCALE 16:1

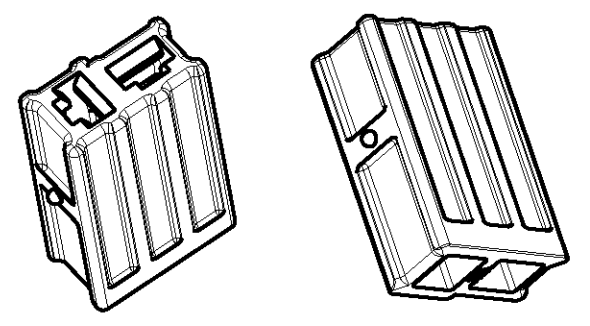
GRAVAÇÕES MARKINGS
NÚMERO CAVIDADE CAVITY NUMBER <span style="border: 1px solid black; padding: 2px;">3</span>

1 - TECHSTER T-20000 - SEO;

2 - RAW MATERIAL ACC.TO SPEC. IEC 60335-1 GWT 750°C WITHOUT FLAME  
 MATERIA PRIMA CONFORME IEC 60335-1 GWT 750°C SEM CHAMA.

**OBSOLETE**

FINISH	MATERIAL	PART NUMBER
NATURAL	PA 6.6 V-0 <span style="border: 1px solid black; padding: 2px;">2</span>	1-0626064-2
NATURAL	PA 6.6 - ZYTEL 103 HSL	1-0626064-1
<del>NATURAL</del>	<del>POLYESTER <span style="border: 1px solid black; padding: 2px;">1</span></del>	<del>1-0626064-0</del>
LARANJA/ORANGE	PA 6.6	0-0626064-9
VIOLETA/VIOLET	PA 6.6	0-0626064-8
CINZA/GRAY	PA 6.6	0-0626064-7
MARRON/BROWN	PA 6.6	0-0626064-6
PRETO/BLACK	PA 6.6	0-0626064-5
AMARELO/YELLOW	PA 6.6	0-0626064-4
AZUL/BLUE	PA 6.6	0-0626064-3
VERDE/GREEN	PA 6.6	0-0626064-2
VERMELHO/RED	PA 6.6	0-0626064-1
NATURAL	PA 6.6	0-0626064-0



PERSPECTIVE VIEW  
 SCALE 2:1

DIMENSIONS:		TOLERANCES UNLESS OTHERWISE SPECIFIED:	
mm		0 PLC	±-
		1 PLC	±0,15
		2 PLC	±-
		3 PLC	±-
		4 PLC	±-
		ANGLES	±30'
MATERIAL	SEE TABLE	FINISH	SEE TABLE

DWN	E. LOPES	14MAR2006
CHK	P. L. FARIA	14MAR2006
APVD	M. S. OLIVEIRA	14MAR2006
PRODUCT SPEC	-	-
APPLICATION SPEC	-	-
WEIGHT	-	-
CUSTOMER DRAWING		

<b>tyco</b> Electronics		TYCO ELECTRONICS do Brasil LTDA. Sao Paulo, Brasil	
NAME 2 WAY .110 FAST-IN-ON RECEP. HSG			
SIZE	CAGE CODE	DRAWING NO	RESTRICTED TO
A3	00779	626064	-
SCALE 4:1		SHEET	OF
		REV	KI