

FEATURES AND SPECIFICATIONS

Features and Benefits

- Sizes 2 to 11 circuits
- With locking ramp
- Second circuits blanked for polarization
- Molded pull tab
- Molded-in locking arm for terminal

Reference Information

Packaging: Bag
 UL File No.: E29179
 CSA File No.: LR19980
 Mates With: 5275-NA, 5276-NA, 5277-NA and
 5278-NA headers
 Use With: 5194 and 5225
 Designed In: Millimeters

Electrical

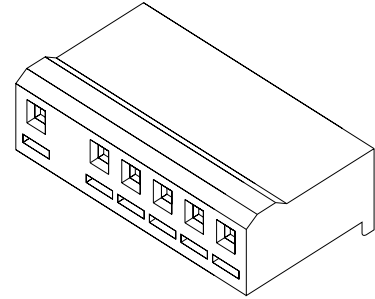
Voltage: 250V
 Current: 5194—7.0A
 5225—4.0A
 Contact Resistance: 10mΩ max.
 Dielectric Withstanding Voltage: 1500V AC/1 min.
 Insulation Resistance: 1000 MΩ min.

Physical

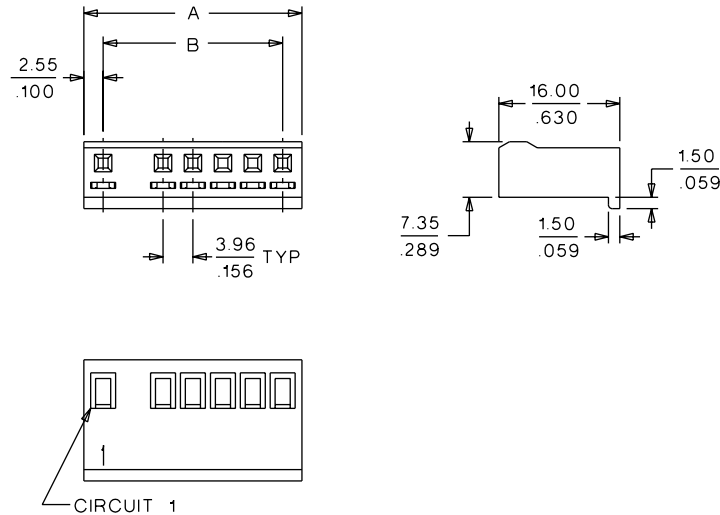
Housing: 6/6 nylon, UL 94V-2
 Operating Temperature: -40 to +105°C

molex® 3.96mm (.156") Pitch SPOX™ Crimp Terminal Housing

5196-N



CATALOG DRAWING (FOR REFERENCE ONLY)



ORDERING INFORMATION AND DIMENSIONS

Circuits	Order No.	Dimension	
		A	B
2	09-50-1023	13.02 (.512)	7.92 (.312)
3	09-50-1033	16.98 (.669)	11.88 (.467)
4	09-50-1043	20.94 (.824)	15.84 (.623)
5	09-50-1053	24.90 (.980)	19.80 (.779)
6	09-50-1063	28.86 (1.136)	23.76 (.935)
7	09-50-1073	32.82 (1.292)	27.72 (1.091)
8	09-50-1083	36.78 (1.448)	31.68 (1.247)
9	09-50-1093	40.74 (1.604)	35.64 (1.403)
10	09-50-1103	44.70 (1.760)	39.60 (1.559)
11	09-50-1113	48.66 (1.916)	43.56 (1.714)

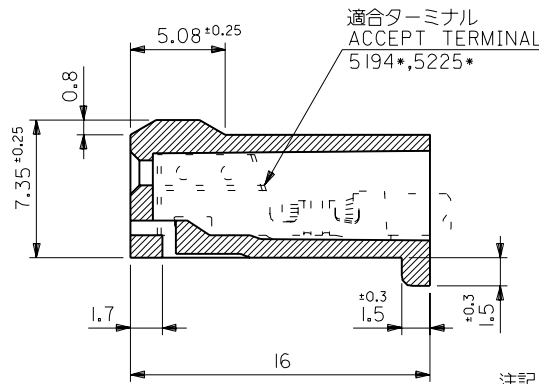
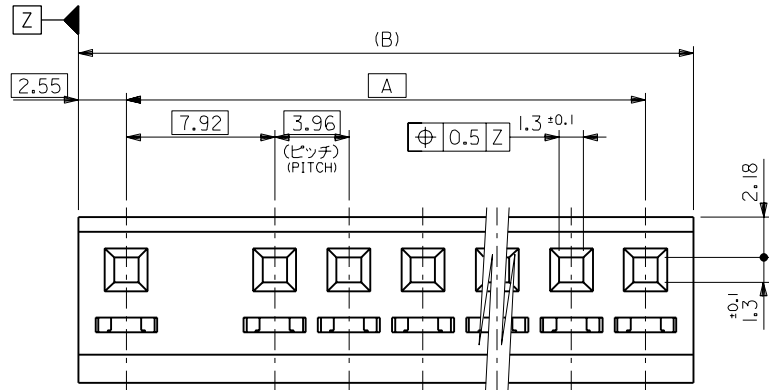
D

3.00 to 7.92mm (.118 to .312") Pitch

E

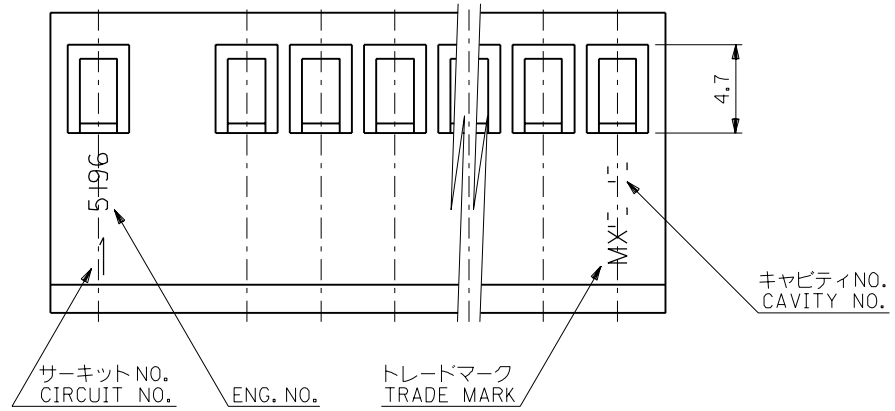
D

C
B
A
DIMENSIONS IN METRIC DO NOT SCALE DRAWING



注記 NOTES

- 各部の反りは0.5最大。
WARPING : 0.5 MAX.
- サーキットNO.はNO."1"のみ表示。
CIRCUIT NO. : 1 ONLY.



48.66	43.56	09-50-1113	5196-11	11
44.7	39.6	↑ -1103	↑ -10	10
40.74	35.64	-1093	-09	9
36.78	31.68	-1083	-08	8
32.82	27.72	-1073	-07	7
28.86	23.76	-1063	-06	6
24.9	19.8	-1053	-05	5
20.94	15.84	-1043	-04	4
16.98	11.88	↓ -1033	↓ -03	3
13.02	7.92	09-50-1023	5196-02	2
B	A	EDP. NO.	ENG. NO.	種数 NO. OF CKTS.

角度 ANGLE $\pm 3^\circ$ 30以上 OVER ± 0.3 10以上 30未満 UNDER ± 0.25 10未満 UNDER ± 0.2		変更 & 再作図 (J20810) M.F. 92/9/8 REVISED & REDRAWN H.H. 変更内容 REVISION RECORD DR. DATE M.FUKUJIKURA H.HIRAMOTO M.FUKUSHIMA		材料 MATERIAL ナイロン66, UL94V-2 色: オフホワイト NYLON66, UL94V-2 COLOR : OFFWHITE	MOLEX JAPAN CO., LTD. 日本モレックス株式会社 REVISE ONLY ON CAD SYSTEM TITLE 名称 SPOX 7.92/3.96 PITCH RECEPTACLE HOUSING	DWG. NO. SD-5196-N REV H
一般公差 GENERAL TOLERANCES		記号 LTR 変更内容 REVISION RECORD DR. DATE	仕上げ FINISH ———— 適用電線範囲 WIRE RANGE ———— 被覆外径 INS. RANGE ———— DRAWN BY 92/9/7 CHK'D BY 92/9/8 M.FUJIKURA H.HIRAMOTO APP'D BY 92/9/8 尺度 SCALE 4 - 1 M.FUKUSHIMA			