

1-480425-0 ✓ ACTIVE

MATE-N-LOK | Commercial MATE-N-LOK

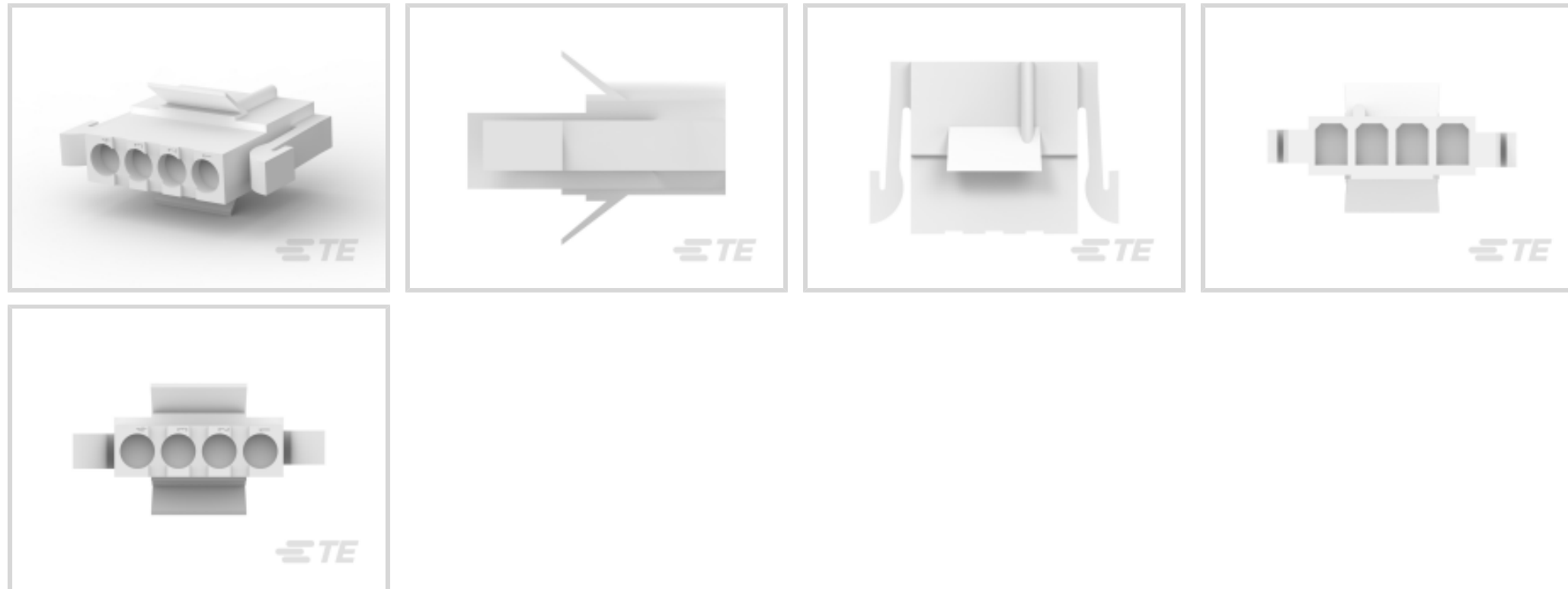
TE Internal #: 1-480425-0

Rectangular Power Connectors, Housing, Plug, Wire-to-Panel /  
Wire-to-Wire, 4 Position, .2 in [5.08 mm] Centerline, Wire & Cable,  
Commercial MATE-N-LOK

[View on TE.com >](#)



Connectors > Power Connectors > Rectangular Power > Rectangular Power Connectors



Rectangular Power Connector Type: **Housing**

Connector & Housing Type: **Plug**

Connector System: **Wire-to-Panel, Wire-to-Wire**

Number of Positions: **4**

Centerline (Pitch): **5.08 mm [ .2 in ]**

## Features

### Product Type Features

Rectangular Power Connector Type	Housing
Connector & Housing Type	Plug
Connector System	Wire-to-Panel, Wire-to-Wire
Sealable	No
Connector & Contact Terminates To	Wire & Cable

### Configuration Features

Number of Positions	4
Number of Rows	1

### Electrical Characteristics

Operating Voltage	250 VAC
-------------------	---------

### Contact Features

Contact Layout	Inline
Contact Retention Within Housing	Without
Contact Type	Socket



### Termination Features

Termination Method to Wire & Cable	Crimp
------------------------------------	-------

### Mechanical Attachment

Panel Mount Feature	With
Panel Mount Feature Type	Locking Leg
Connector Mounting Type	Panel Mount

### Housing Features

Centerline (Pitch)	5.08 mm [.2 in]
Housing Color	Natural
Housing Material	Nylon

### Dimensions

Panel Thickness	.64 – 1.65 mm [.025 – .065 in]
-----------------	--------------------------------

### Usage Conditions

Operating Temperature Range	-55 – 105 °C [-67 – 221 °F]
-----------------------------	-----------------------------

### Operation/Application

Circuit Application	Power & Signal
---------------------	----------------

### Identification Marking

Circuit Identification Feature	With
--------------------------------	------

### Industry Standards

UL Flammability Rating	UL 94V-2
Glow Wire Rating	Standard Part - Not Glow Wire
UL Rating	Certified, Recognized
Agency/Standard Number	E28476
CSA File Number	LR16455
VDE Tested	No
Agency/Standard	CSA, UL

### Packaging Features

Packaging Method	Package
Packaging Quantity	1

### Other

For Use With	Pin (Cap) Housing
--------------	-------------------



## Product Compliance

[For compliance documentation, visit the product page on TE.com>](#)

EU RoHS Directive 2011/65/EU	Compliant
EU ELV Directive 2000/53/EC	Compliant
China RoHS 2 Directive MIIT Order No 32, 2016	No Restricted Materials Above Threshold
EU REACH Regulation (EC) No. 1907/2006	Current ECHA Candidate List: JAN 2022 (223) Candidate List Declared Against: JAN 2021 (211) SVHC > Threshold: Not Yet Reviewed
Halogen Content	Low Halogen - Br, Cl, F, I < 900 ppm per homogenous material. Also BFR/CFR/PVC Free
Solder Process Capability	Not applicable for solder process capability

### Product Compliance Disclaimer

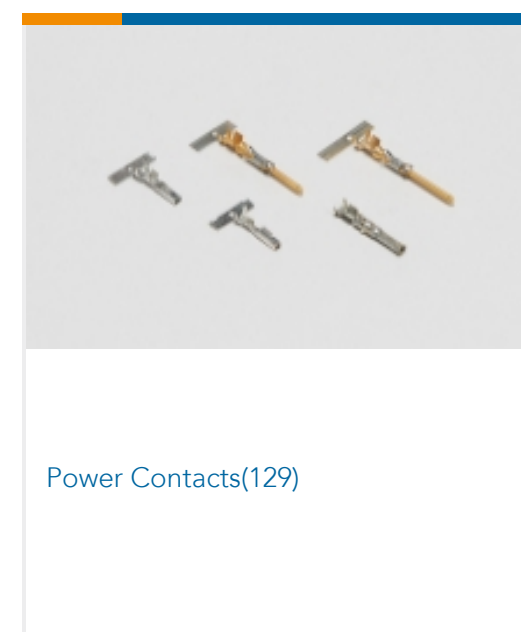
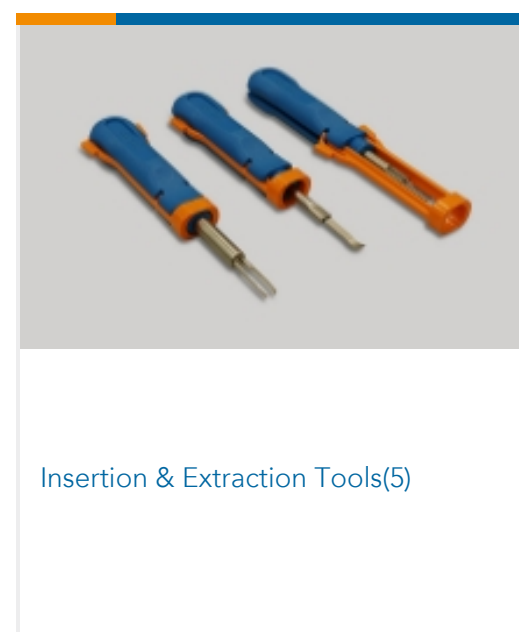
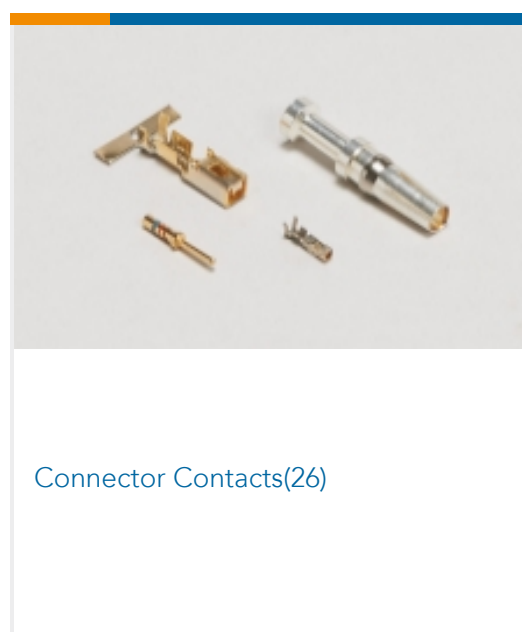
This information is provided based on reasonable inquiry of our suppliers and represents our current actual knowledge based on the information they provided. This information is subject to change. The part numbers that TE has identified as EU RoHS compliant have a maximum concentration of 0.1% by weight in homogenous materials for lead, hexavalent chromium, mercury, PBB, PBDE, DBP, BBP, DEHP, DIBP, and 0.01% for cadmium, or qualify for an exemption to these limits as defined in the Annexes of Directive 2011/65/EU (RoHS2). Finished electrical and electronic equipment products will be CE marked as required by Directive 2011/65/EU. Components may not be CE marked. Additionally, the part numbers that TE has identified as EU ELV compliant have a maximum concentration of 0.1% by weight in homogenous materials for lead, hexavalent chromium, and mercury, and 0.01% for cadmium, or qualify for an exemption to these limits as defined in the Annexes of Directive 2000/53/EC (ELV). Regarding the REACH Regulation, the information TE provides on SVHC in articles for this part number is based on the latest European Chemicals Agency (ECHA) 'Guidance on requirements for substances in articles' posted at this URL: <https://echa.europa.eu/guidance-documents/guidance-on-reach>

## Compatible Parts

 <p>TE Part # 60619-5 CMNL SOK AUBR L/P</p>	 <p>TE Part # 60617-5 CMNL SOK AUBR L/P</p>	 <p>TE Part # 60618-5 CMNL PIN AUBR L/P</p>	 <p>TE Part # 60617-4 CMNL SOK PTPPHBZ L/P</p>
--	---	--	---



Also in the Series | **Commercial MATE-N-LOK**



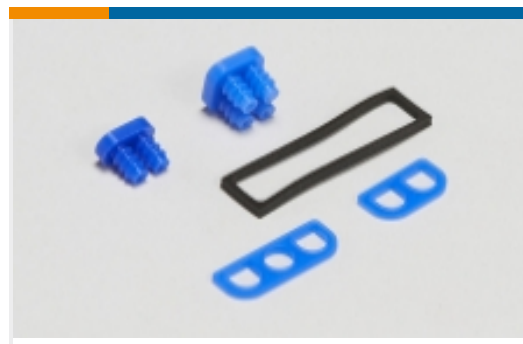




Rectangular Caps & Covers(2)



Rectangular Connector Housings(17)



Rectangular Connector Seals(1)



Rectangular Power Connectors(170)



Standard Circular Connectors(4)

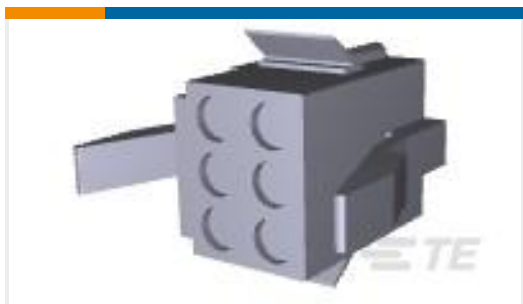


Standard Rectangular Connectors(10)

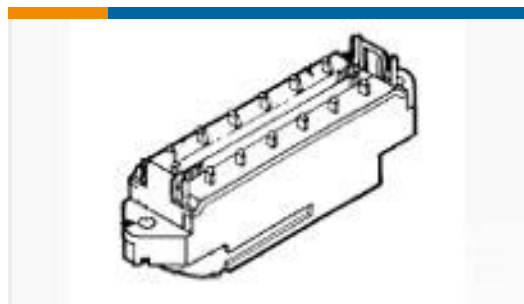


Wire-to-Board Connector Contacts(1)

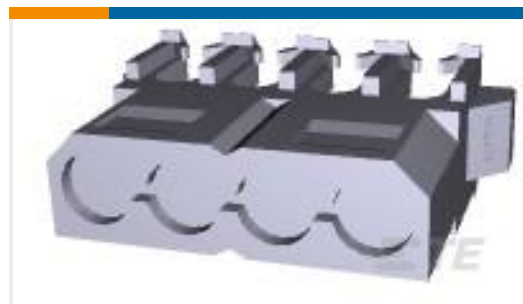
## Customers Also Bought



TE Part #1-171196-0  
6 POS MATE-N-LOK S



TE Part #553602-1  
PLUG ASSY,50 POSN,SCR LK,L PF



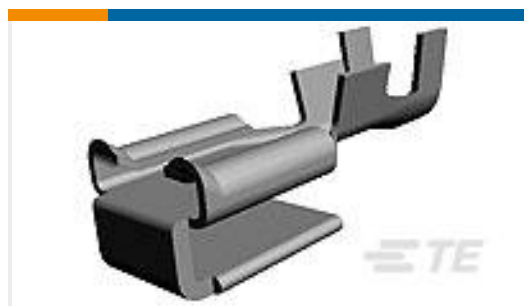
TE Part #770156-3  
4P CMNL IDC PLUG 18AWG ORG V2



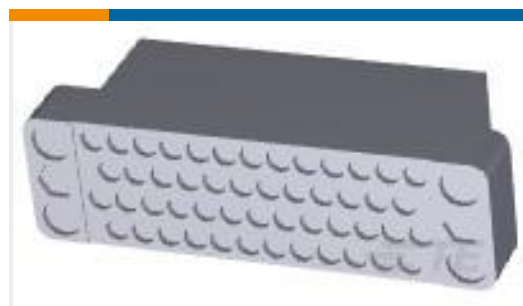
TE Part #770087-1  
06P .093 COMM P&S RECPT HSG



TE Part #1-480401-0  
01P CMNL CAP HSG F/H BLK



TE Part #1217043-1  
250 FASTON,REC.,14-10 AWG,TPBR



TE Part #201358-3  
MALE BLOCK 50 PL.



TE Part #2-455892-8  
HOLD DOWN

## Documents

### Product Drawings

[04P CMNL PLUG HSG P/M NATL](#)

English

### CAD Files

Customer View Model

[ENG\\_CVM\\_1-480425-0\\_R.2d\\_dxf.zip](#)

English

Customer View Model



[ENG\\_CVM\\_1-480425-0\\_R.3d\\_igs.zip](#)

English

**Customer View Model**

[ENG\\_CVM\\_1-480425-0\\_R.3d\\_stp.zip](#)

English

**3D PDF**

English

**3D PDF**

3D

**Customer View Model**

[ENG\\_CVM\\_CVM\\_1-480425-0\\_AR.2d\\_dxf.zip](#)

English

**Customer View Model**

[ENG\\_CVM\\_CVM\\_1-480425-0\\_AR.3d\\_igs.zip](#)

English

**Customer View Model**

[ENG\\_CVM\\_CVM\\_1-480425-0\\_AR.3d\\_stp.zip](#)

English

By downloading the CAD file I accept and agree to the [Terms and Conditions](#) of use.

---

## Datasheets & Catalog Pages

[SOFT\\_SHELL\\_PIN\\_SOCKET\\_CONNECTORS\\_STANDARD\\_DENSITY](#)

English

---

## Product Specifications

[Application Specification](#)

English

---

## Product Environmental Compliance

[MD\\_1-480425-0\\_060620181416\\_dmtec](#)

English

[MD\\_1-480425-0\\_060620181416\\_dmtec](#)

English

---

## Instruction Sheets

[Instruction Sheet \(U.S.\)](#)

English

---

## Agency Approvals

[Agency Approval Document](#)

English