

1-643067-0 ✓ ACTIVE

MTA 156

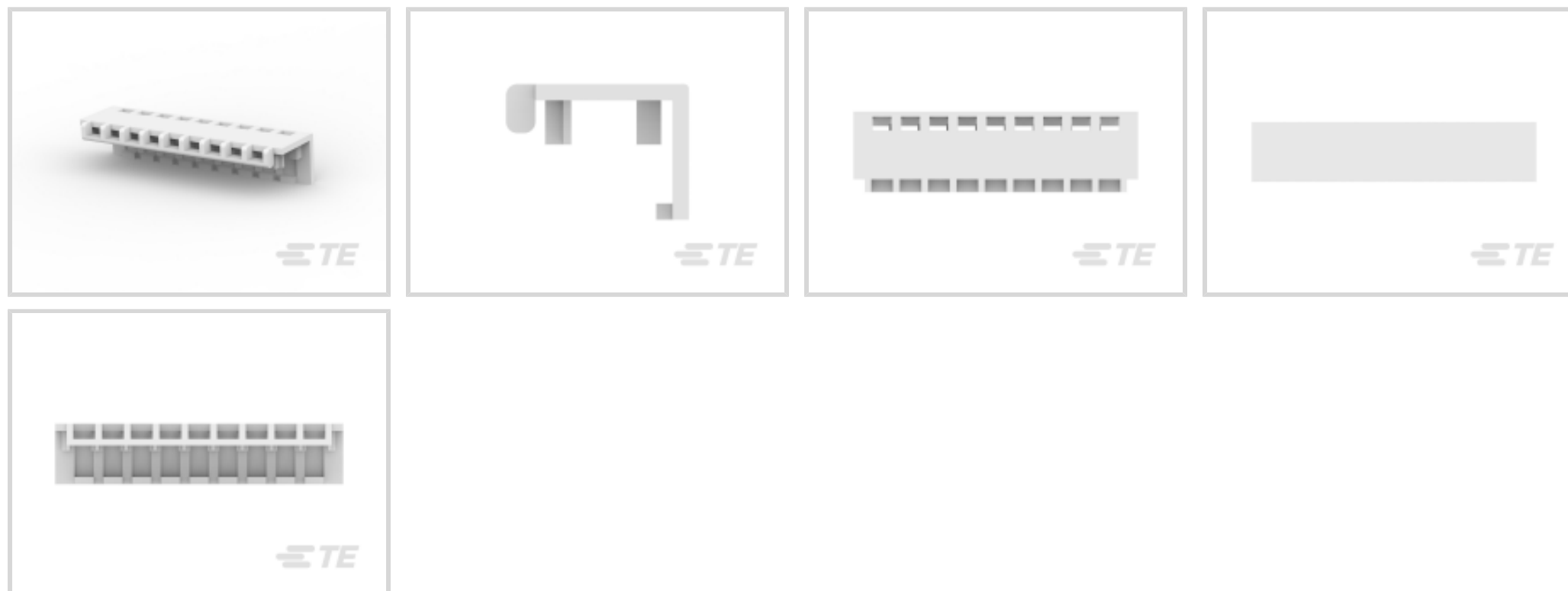
TE Internal #: 1-643067-0

PCB Connector Covers, Strain Relief Covers, 10 Position, .156 in [3.96 mm] Centerline, Nylon, Standard Product Profile, MTA 156

[View on TE.com >](#)



Connectors > PCB Connectors > PCB Connector Accessories > Protection & Strain Relief > PCB Connector Covers



Protection & Strain Relief Accessory Type: **Strain Relief Covers**

Number of Positions: **10**

Centerline (Pitch): **3.96 mm [.156 in]**

Primary Product Material: **Nylon**

Product Profile: **Standard**

Features

Product Type Features

Protection & Strain Relief Accessory Type	Strain Relief Covers
Product Profile	Standard

Configuration Features

Number of Positions	10
---------------------	----

Body Features

Primary Product Color	White
Primary Product Material	Nylon

Housing Features

Centerline (Pitch)	3.96 mm [.156 in]
--------------------	-------------------

Usage Conditions

Compatible With IDC Installation Type Connector	Closed End
Operating Temperature Range	-55 – 105 °C[-67 – 221 °F]

Industry Standards

UL Flammability Rating	UL 94V-2
------------------------	----------

Product Compliance

For compliance documentation, visit the product page on [TE.com](https://www.te.com)>

EU RoHS Directive 2011/65/EU	Compliant
EU ELV Directive 2000/53/EC	Compliant
China RoHS 2 Directive MIIT Order No 32, 2016	No Restricted Materials Above Threshold
EU REACH Regulation (EC) No. 1907/2006	Current ECHA Candidate List: JAN 2022 (223) Candidate List Declared Against: JAN 2022 (223) Does not contain REACH SVHC
Halogen Content	Low Halogen - Br, Cl, F, I < 900 ppm per homogenous material. Also BFR/CFR/PVC Free
Solder Process Capability	Not applicable for solder process capability

Product Compliance Disclaimer

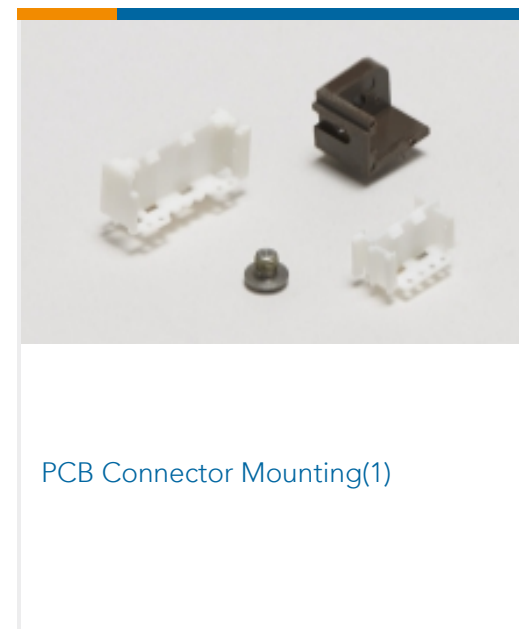
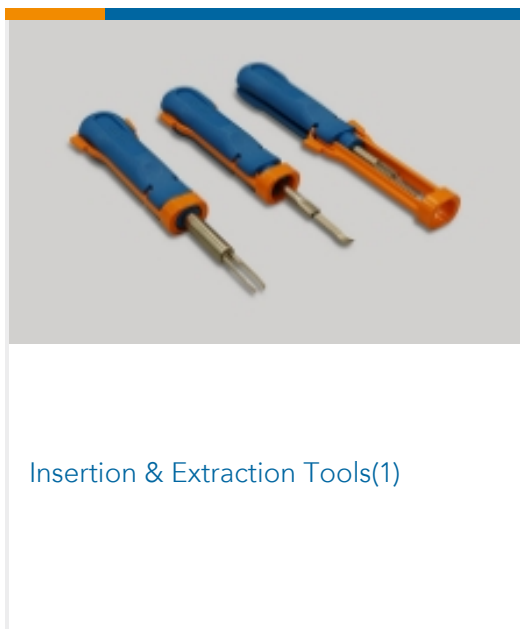
This information is provided based on reasonable inquiry of our suppliers and represents our current actual knowledge based on the information they provided. This information is subject to change. The part numbers that TE has identified as EU RoHS compliant have a maximum concentration of 0.1% by weight in homogenous materials for lead, hexavalent chromium, mercury, PBB, PBDE, DBP, BBP, DEHP, DIBP, and 0.01% for cadmium, or qualify for an exemption to these limits as defined in the Annexes of Directive 2011/65/EU (RoHS2). Finished electrical and electronic equipment products will be CE marked as required by Directive 2011/65/EU. Components may not be CE marked. Additionally, the part numbers that TE has identified as EU ELV compliant have a maximum concentration of 0.1% by weight in homogenous materials for lead, hexavalent chromium, and mercury, and 0.01% for cadmium, or qualify for an exemption to these limits as defined in the Annexes of Directive 2000/53/EC (ELV). Regarding the REACH Regulation, the information TE provides on SVHC in articles for this part number is based on the latest European Chemicals Agency (ECHA) 'Guidance on requirements for substances in articles' posted at this URL: <https://echa.europa.eu/guidance-documents/guidance-on-reach>

Compatible Parts

 <p>TE Part # CAT-103156-WBHSM 3.96mm Wire-to-board housing: receptacle, with mating alignment, SL 156</p>	 <p>TE Part # CAT-103156-WBHSN 3.96mm Wire-to-board housing: receptacle, no mating alignment, SL 156</p>	 <p>TE Part # 4-640427-0 10P MTA156 CONN ASSY 20AWG YEL</p>	 <p>TE Part # 4-640426-0 10P MTA156 CONN ASSY 18AWG ORA</p>
---	--	--	--

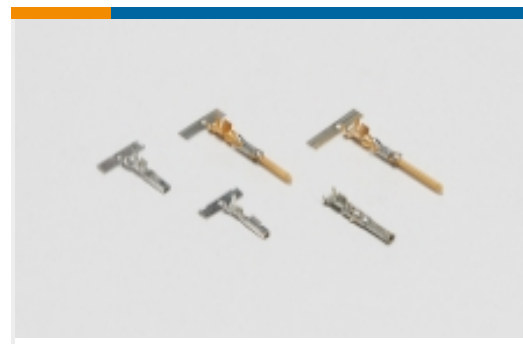


Also in the Series | **MTA 156**





PCB Headers & Receptacles(729)



Power Contacts(3)



Rectangular Caps & Covers(1)



Rectangular Power Connectors(749)

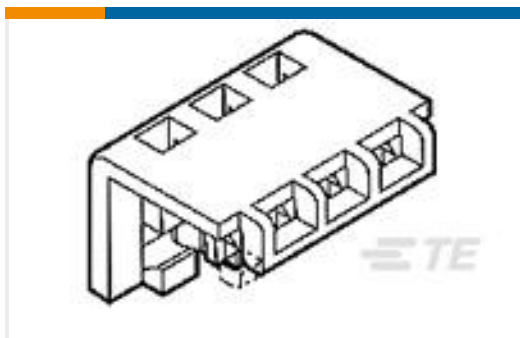


Standard Rectangular Connectors (1309)



Wire-to-Board Connector Contacts(12)

Customers Also Bought



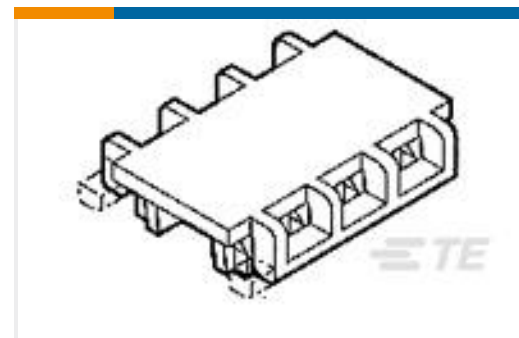
TE Part #643067-4
04P MTA156 CMOLDED COVER



TE Part #3-640599-9
09P MTA156 CONN ASSY 18AWG ORA



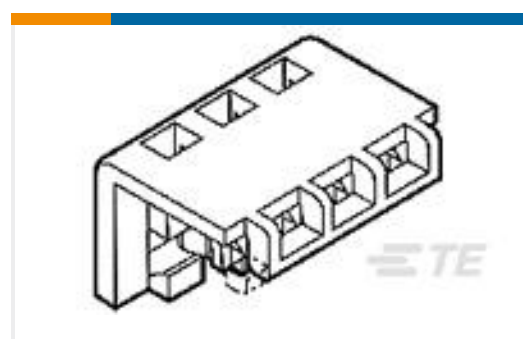
TE Part #4-644466-0
10P MTA156 CONN ASSY 20AWG YEL



TE Part #1-643071-0
10P MTA156 FD-THRU COVER



TE Part #3-644570-4
04P MTA156 CONN ASSY 18AWG LF



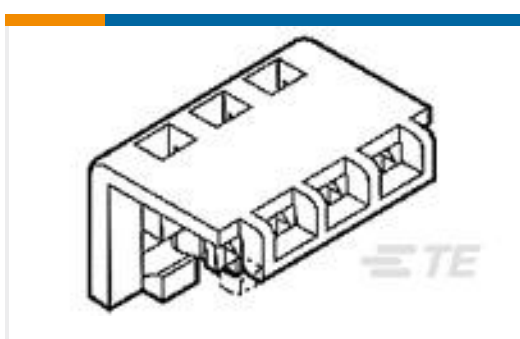
TE Part #643067-9
09P MTA156 MOLDED COVER



TE Part #640387-9
09P MTA156 HDR ASSY SQ R/A



TE Part #3-643817-9
09P MTA156 CONN ASSY 18AWG LF



TE Part #1-643067-3
13P MTA156 MOLDED COVER

Documents



Product Drawings

10P MTA156 MOLDED COVER

English

CAD Files

3D PDF

3D

Customer View Model

[ENG_CVM_CVM_1-643067-0_P.2d_dxf.zip](#)

English

Customer View Model

[ENG_CVM_CVM_1-643067-0_P.3d_igs.zip](#)

English

Customer View Model

[ENG_CVM_CVM_1-643067-0_P.3d_stp.zip](#)

English

3D PDF

English

Customer View Model

[ENG_CVM_1-643067-0_G.2d_dxf.zip](#)

English

Customer View Model

[ENG_CVM_1-643067-0_G.3d_igs.zip](#)

English

Customer View Model

[ENG_CVM_1-643067-0_G.3d_stp.zip](#)

English

By downloading the CAD file I accept and agree to the [Terms and Conditions](#) of use.

Datasheets & Catalog Pages

MTA, CST-100 II, SL-156 and AMP Economy Power (EP) Connectors

English

Product Specifications

Application Specification

Japanese

Application Specification

English

MTA 156 Ribbon Cable Connector Assemblies (English And Spanish)

English

MTA 156 Ribbon Cable Connector Assemblies (English And Spanish)

Japanese

Product Environmental Compliance

Product Compliance

English



Product Compliance

English

Instruction Sheets

Instruction Sheet (U.S.)

English