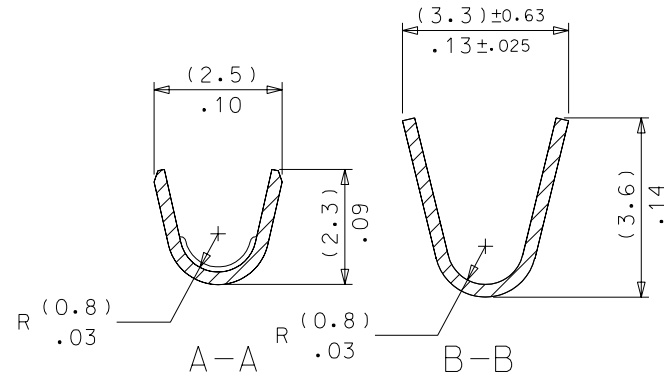
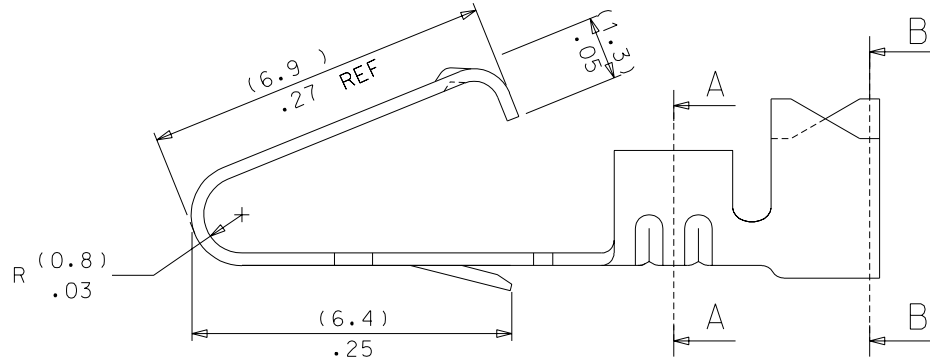
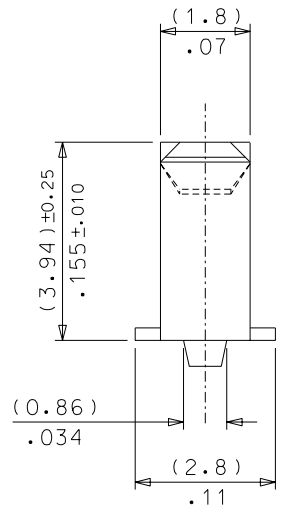
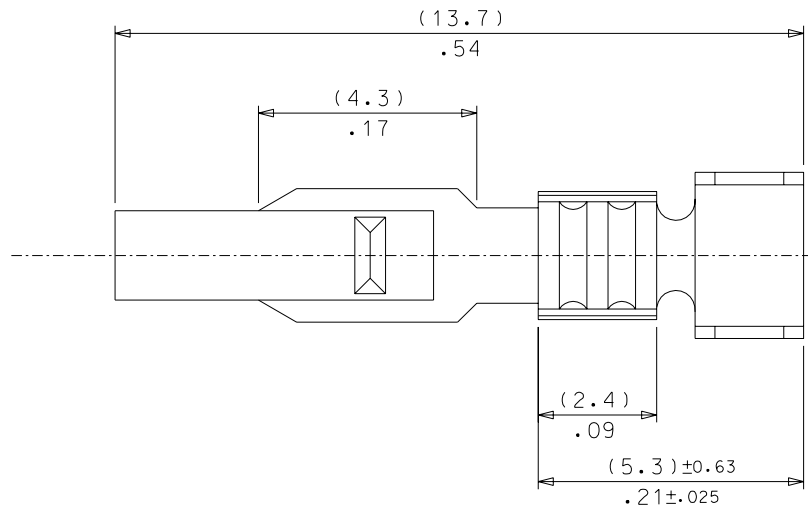


PART NO. SEE CHART
 ENG. NO. SD-8993-(****)*

NOTES:

1. CRIMP FOR 18-24 AWG WIRE (2.79)/.11 MAX INSUL DIA
2. CODE LETTER PRECEDING PART No. DESIGNATES MFG LOC'N I=IRELAND
3. MATERIAL: (0.25)/.010 THICK BRASS
4. THIS PART CONFORMS TO MOLEX PROD. SPEC. 99020-0087



PART No.	ENG No.	FORM	FINISH
08-50-0011	8993-(P125)	CHAIN	(P125) HOT TIN DIP
NOT TOOLED	8993-(P125)L	LOOSE	.000100/.000250 (PRE PLATE)
I 08-50-0277	8993-(P902)	CHAIN	(P902) HOT TIN DIP
I 08-50-0276	8993-(P902)L	LOOSE	.000040/.000100 FOR INT'L USE ONLY (PRE PLATE)

CHANGED PLATING CODES
 EC NO. E2004-0036
 DRWN: PSHEAHAN 03/07/14
 CHK: / / / /
 APPR: / / / /

QUALITY SYMBOLS
 MAJOR =
 CRITICAL =

GENERAL TOLERANCES: (UNLESS SPECIFIED)

	mm	INCH
4 PLACES	±0.	±.
3 PLACES	±0.	±.010
2 PLACES	±0.20	±.014
1 PLACE	±0.30	±.

ANGULAR: ± 1/2°

DRAFT WHERE APPLICABLE MUST REMAIN WITHIN DIMENSIONS

SCALE 10:1	DESIGN UNITS <input type="checkbox"/> mm <input type="checkbox"/> INCH	THIRD ANGLE PROJECTION <input checked="" type="checkbox"/> mm INCH <input type="checkbox"/> INCH mm <input type="checkbox"/> mm ONLY	SHT REV
DRAWN BY & DATE T.MAHON 98/10/26		REVISIONS ON CAD ONLY	
CHECKED BY & DATE M.GOONEY / /		TITLE: TERMINAL, CRIMP STYLE	
APPROVED BY & DATE MWILHITE / /		MOLEX INCORPORATED	
CAD FILENAME S8993X1.DGN	MATERIAL NO. SEE CHART	DRAWING NO. SD-8993-****	SHEET NO. 1 OF 1
THIS DRAWING CONTAINS INFORMATION THAT IS PROPRIETARY TO MOLEX INCORPORATED AND SHOULD NOT BE USED WITHOUT WRITTEN PERMISSION.			SIZE B