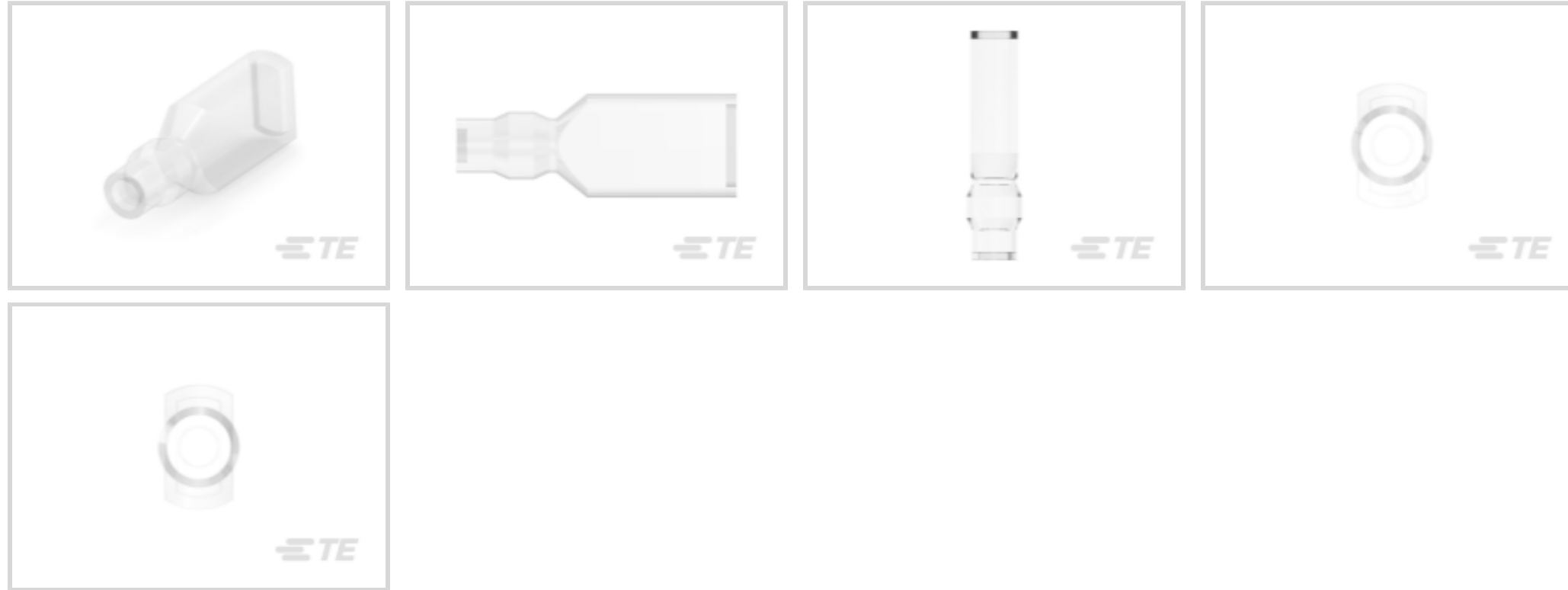




Terminals & Splices > Terminal Housings, Insulation Sleeves & Blocks > Crimp Terminal Housings



Terminal Type: **Receptacle**

Housing Type: **Receptacle**

Number of Positions: **1**

Terminal Orientation: **Straight**

UL Flammability Rating: **UL 94V-2**

### Features

#### Product Type Features

Sealable	No
Housing Type	Receptacle

#### Configuration Features

Number of Positions	1
---------------------	---

#### Body Features

Primary Product Color	Natural
-----------------------	---------

#### Contact Features

Terminal Type	Receptacle
Terminal Orientation	Straight
Contact Mating Retention	Without

#### Mechanical Attachment

Mating Alignment	Without
------------------	---------

#### Housing Features

--	--



Housing Material	Soft PVC
------------------	----------

### Dimensions

Length	27 mm[1.063 in]
Accepts Wire Insulation Diameter Range	2.2 – 3.2 mm[.09 – .13 in]
Wire Size	.32 – .82 mm <sup>2</sup>

### Usage Conditions

Operating Temperature Range	-40 – 105 °C[-40 – 221 °F]
-----------------------------	----------------------------

### Industry Standards

UL Flammability Rating	UL 94V-2
------------------------	----------

## Product Compliance

[For compliance documentation, visit the product page on TE.com>](#)

EU RoHS Directive 2011/65/EU	Compliant
EU ELV Directive 2000/53/EC	Compliant
China RoHS 2 Directive MIIT Order No 32, 2016	No Restricted Materials Above Threshold
EU REACH Regulation (EC) No. 1907/2006	Current ECHA Candidate List: JAN 2022 (223) Candidate List Declared Against: JAN 2022 (223) SVHC > Threshold: Diocetyl tin dilaurate derivs (.3% in Component Part)
Halogen Content	Not Low Halogen - contains Br or Cl > 900 ppm.
Solder Process Capability	Not applicable for solder process capability





#### Product Compliance Disclaimer

This information is provided based on reasonable inquiry of our suppliers and represents our current actual knowledge based on the information they provided. This information is subject to change. The part numbers that TE has identified as EU RoHS compliant have a maximum concentration of 0.1% by weight in homogenous materials for lead, hexavalent chromium, mercury, PBB, PBDE, DBP, BBP, DEHP, DIBP, and 0.01% for cadmium, or qualify for an exemption to these limits as defined in the Annexes of Directive 2011/65/EU (RoHS2). Finished electrical and electronic equipment products will be CE marked as required by Directive 2011/65/EU. Components may not be CE marked. Additionally, the part numbers that TE has identified as EU ELV compliant have a maximum concentration of 0.1% by weight in homogenous materials for lead, hexavalent chromium, and mercury, and 0.01% for cadmium, or qualify for an exemption to these limits as defined in the Annexes of Directive 2000/53/EC (ELV). Regarding the REACH Regulation, the information TE provides on SVHC in articles for this part number is based on the latest European Chemicals Agency (ECHA) 'Guidance on requirements for substances in articles' posted at this URL: <https://echa.europa.eu/guidance-documents/guidance-on-reach>

## Compatible Parts

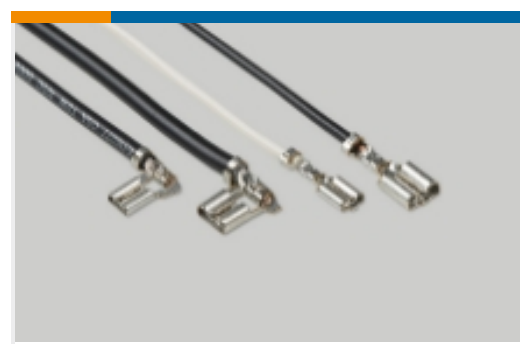
 <p>TE Part # 170823-1 110 FASTON SLEEVE,TAB, TRANSPARENT,NAT</p>	 <p>TE Part # 170891-2 250 FASTON HSG.,FLAG,REC., NATURAL</p>	 <p>TE Part # 170823-4 250 FASTON SLEEVE,REC., TRANSPARENT</p>	 <p>TE Part # 1-170823-4 187 FASTON SLEEVE,REC., TRANSPARENT,NAT</p>
 <p>TE Part # 1-170823-5 250 FASTON SLEEVE,REC., TRANSPARENT</p>	 <p>TE Part # 170823-3 250 FASTON SLEEVE,REC., TRANSPARENT</p>	 <p>TE Part # 170891-1 250 FASTON HSG.,FLAG,REC., NATURAL</p>	 <p>TE Part # 170823-6 250 FASTON SLEEVE,REC., TRANSPARENT</p>
 <p>TE Part # 170892-4 187 FASTON HSG.,REC.,NATURAL</p>	 <p>TE Part # 170892-1 187 FASTON HSG.,REC.,NATURAL</p>	 <p>TE Part # 1-170823-9 250 FASTON SLEEVE,REC., TRANSPARENT,NAT</p>	 <p>TE Part # 1-170823-6 250 FASTON SLEEVE,REC., TRANSPARENT</p>
 <p>TE Part # 1-170823-1 110 FASTON SLEEVE,REC., TRANSPARENT,NAT</p>	 <p>TE Part # 1-170823-3 187 FASTON SLEEVE,REC., TRANSPARENT,NAT</p>	 <p>TE Part # 170889-4 SLEEVE DIA5 SHUR PLUG NAT</p>	 <p>TE Part # 170892-2 187 FASTON HSG.,REC.,NATURAL</p>

Also in the Series | **FASTON 250**

 <p>Compression Connectors(4)</p>	 <p>Crimp Terminal Housings(143)</p>	 <p>Insertion &amp; Extraction Tools(6)</p>	 <p>Magnet Wire Terminals(1)</p>
--	---	--	---



PCB Terminals(144)



Quick Disconnects(456)

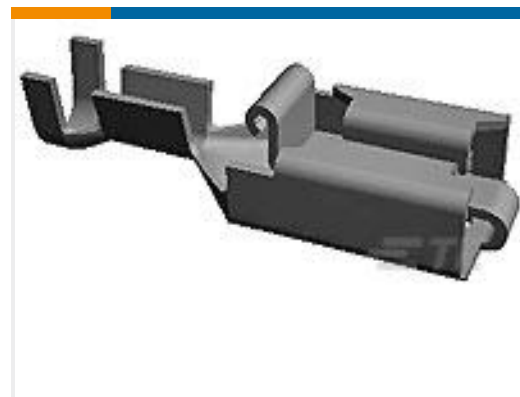


Splices(4)

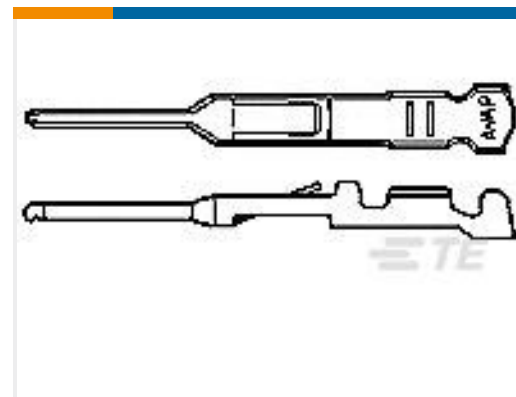
## Customers Also Bought



TE Part #1-178139-2  
Header Assembly: Wire-to-Board, 15A, gold or tin plated



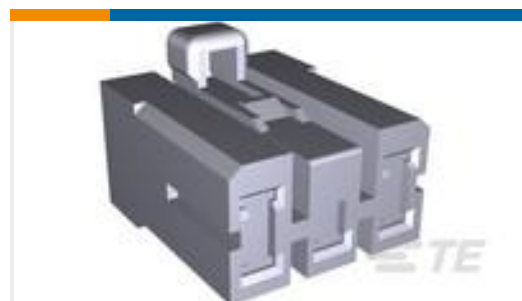
TE Part #170265-2  
PL 250 REC 12-10 AWG 0.406 X 42.3



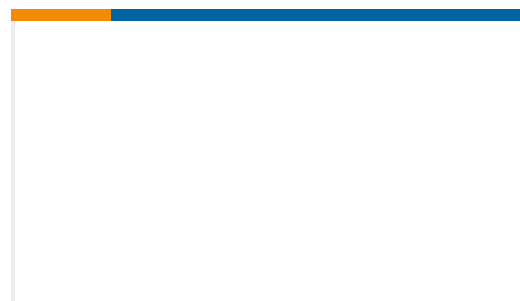
TE Part #170429-1  
EIS REC CONT 26-20 AWG BR TN



TE Part #170108-4  
FF 250 REC 18-14AWG TPBR LP



TE Part #172494-1  
MIC MARK-2 PLUG HSG 5P



TE Part #2337037-2  
V23074A2002A403-SZ-TRAY



TE Part #1-174983-1  
E-J MK-2 PLUG HSG 8P NATUDRAL



TE Part #1-174664-1  
E-J MK-2 CAP HSG 12P NATURAL



TE Part #1-174662-1  
E-J MK-2 PLUG HSG 12P NATURAL

## Documents

### Product Drawings

[250 FASTON SLEEVE,REC.,TRANSPARENT](#)

English

### CAD Files

[3D PDF](#)

3D

### Customer View Model

[ENG\\_CVM\\_CVM\\_1-170823-8\\_F.2d\\_dxf.zip](#)



English

Customer View Model

[ENG\\_CVM\\_CVM\\_1-170823-8\\_F.3d\\_igs.zip](#)

English

Customer View Model

[ENG\\_CVM\\_CVM\\_1-170823-8\\_F.3d\\_stp.zip](#)

English

By downloading the CAD file I accept and agree to the [Terms and Conditions](#) of use.

---

## Datasheets & Catalog Pages

[FASTON Housings](#)

English

---

## Product Specifications

[Product Specification](#)

English

---

## Product Environmental Compliance

[MD\\_1-170823-8\\_12072017112\\_dmtec](#)

English

[MD\\_1-170823-8\\_12072017112\\_dmtec](#)

English