

1-368047-1 ✓ ACTIVE

## Econoseal J - Mark II

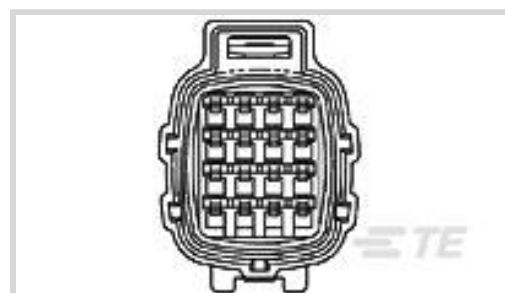
TE Internal #: 1-368047-1

Housing for Female Terminals, Wire-to-Wire, 16 Position, .188 in [4.8 mm] Centerline, Sealable, Black, Wire & Cable, Signal, Econoseal J - Mark II

[View on TE.com >](#)



Connectors > Automotive Connectors > Connector Housings > ECONOSEAL, CONNECTOR HOUSING



Connector & Housing Type: **Housing for Female Terminals**

Mating Tab Width: **1.2 mm [ .047 in ]**

Connector System: **Wire-to-Wire**

Number of Positions: **16**

Centerline (Pitch): **4.8 mm [ .188 in ]**

[All ECONOSEAL, CONNECTOR HOUSING \(90\)](#)

## Features

### Product Type Features

Connector & Housing Shape	Rectangular
Connector & Housing Type	Housing for Female Terminals
Connector System	Wire-to-Wire
Sealable	Yes
Hybrid Connector	No
Primary Locking Feature	Integrated in Housing
Connector & Contact Terminates To	Wire & Cable

### Configuration Features

Number of Positions	16
Number of Rows	3

### Body Features

Cable Exit Angle	180°
Body Material	PBT
Primary Product Color	Black

### Contact Features

Contact Size	1.8mm
Contact Type	Receptacle



Mating Tab Width	1.2 mm[.047 in]
------------------	-----------------

### Mechanical Attachment

Mounting Feature	Without
Terminal Position Assurance	No
Strain Relief	Without
Mating Alignment Type	Polarization Slot
Mating Alignment	With
Connector Mounting Type	Cable Mount (Free-Hanging)

### Housing Features

Centerline (Pitch)	4.8 mm[.188 in]
--------------------	-----------------

### Dimensions

Product Width	27.6 mm[1.08 in]
Product Length	30.6 mm[1.2 in]
Product Height	44.4 mm[1.74 in]
Row-to-Row Spacing	5.6 mm[.22 in]

### Operation/Application

Circuit Application	Signal
---------------------	--------

### Packaging Features

Packaging Quantity	50
Packaging Method	Tray

### Other

Serviceable	No
Connector Position Assurance Capable	No

### Product Compliance

[For compliance documentation, visit the product page on TE.com>](#)

EU RoHS Directive 2011/65/EU	Compliant
EU ELV Directive 2000/53/EC	Compliant
China RoHS 2 Directive MIIT Order No 32, 2016	No Restricted Materials Above Threshold
EU REACH Regulation (EC) No. 1907/2006	Current ECHA Candidate List: JAN 2022 (223) Candidate List Declared Against: JUL 2021 (219)



SVHC > Threshold:  
Not Yet Reviewed

Halogen Content

Low Halogen - Br, Cl, F, I < 900 ppm per homogenous material. Also BFR/CFR/PVC Free

Solder Process Capability

Not applicable for solder process capability

Product Compliance Disclaimer

This information is provided based on reasonable inquiry of our suppliers and represents our current actual knowledge based on the information they provided. This information is subject to change. The part numbers that TE has identified as EU RoHS compliant have a maximum concentration of 0.1% by weight in homogenous materials for lead, hexavalent chromium, mercury, PBB, PBDE, DBP, BBP, DEHP, DIBP, and 0.01% for cadmium, or qualify for an exemption to these limits as defined in the Annexes of Directive 2011/65/EU (RoHS2). Finished electrical and electronic equipment products will be CE marked as required by Directive 2011/65/EU. Components may not be CE marked. Additionally, the part numbers that TE has identified as EU ELV compliant have a maximum concentration of 0.1% by weight in homogenous materials for lead, hexavalent chromium, and mercury, and 0.01% for cadmium, or qualify for an exemption to these limits as defined in the Annexes of Directive 2000/53/EC (ELV). Regarding the REACH Regulation, the information TE provides on SVHC in articles for this part number is based on the latest European Chemicals Agency (ECHA) 'Guidance on requirements for substances in articles' posted at this URL: <https://echa.europa.eu/guidance-documents/guidance-on-reach>

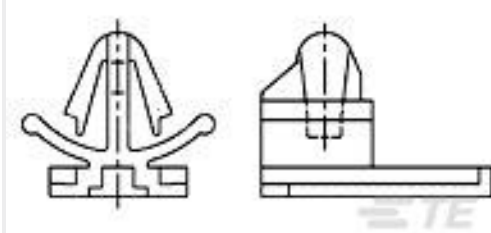
### Compatible Parts



TE Part # CAT-EC7491-CH8172  
ECONOSEAL, CONNECTOR HOUSING



TE Part # 368049-1  
E-J MK-II(+) 16P PLUG DBL

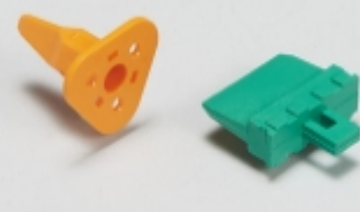


TE Part # 368121-1  
CLIP HSG FOR 070(EJ MK-II 16P)




TE Part # 3-368050-1  
E-J MK-2(+) 16P CAP HSG


### Also in the Series | Econoseal J - Mark II




Automotive Connector Locks & Position Assurance(18)



Automotive Housings(41)



Automotive Seals & Cavity Plugs(8)



Other Automotive Connector Accessories(4)

### Customers Also Bought



TE Part #3-1418448-1  
3POS AMP MCP1.5k REC.HSG CODC



TE Part #WB-60PA  
WEDGE LOCK, 60P, REC, GRY, DRB, A



TE Part #368530-1  
E-S MK-2(+) 6P PLUG ASS'Y



TE Part #368508-1  
070 MLC CAP 14P



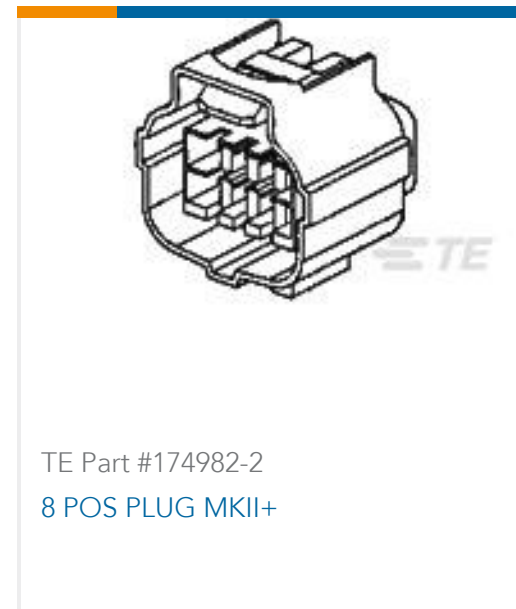
TE Part #925612-2  
STC REC 6.3 Contact SRC Sn



TE Part #2-1447232-6  
3900281-441=SP/SEAL 44P PLUG



TE Part #172200-1  
ECONOSEAL-J CONN RUBBER 2P



TE Part #174982-2  
8 POS PLUG MKII+



TE Part #1-368280-1  
WIRE SEAL FOR EJ MK-II(+) RED



TE Part #936438-1  
MINI FUSE BOX ASSY-CT

## Documents

### Product Drawings

[E-S MK-2\(+\) 16P PLUG ASSY](#)

English

### CAD Files

Customer View Model

[ENG\\_CVM\\_1-368047-1\\_C.3d\\_igs.zip](#)

English

Customer View Model

[ENG\\_CVM\\_1-368047-1\\_C.3d\\_stp.zip](#)

English

Customer View Model

[ENG\\_CVM\\_1-368047-1\\_C.2d\\_dxf.zip](#)

English

[3D PDF](#)

English

By downloading the CAD file I accept and agree to the [Terms and Conditions](#) of use.

## Datasheets & Catalog Pages



## Econoseal Connector Series

English

---

## Product Specifications

### AMP-ECONOSEAL-J MARK II+ CONNECTOR

English

### Product Specification

English