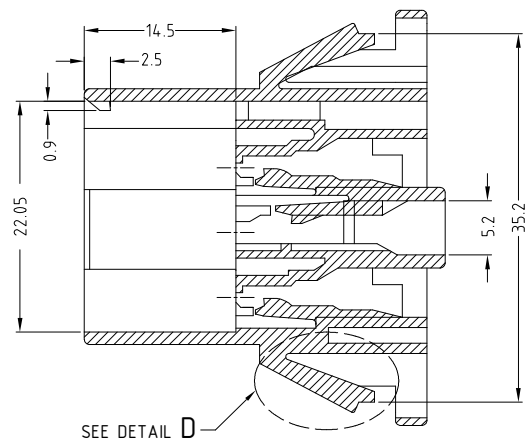
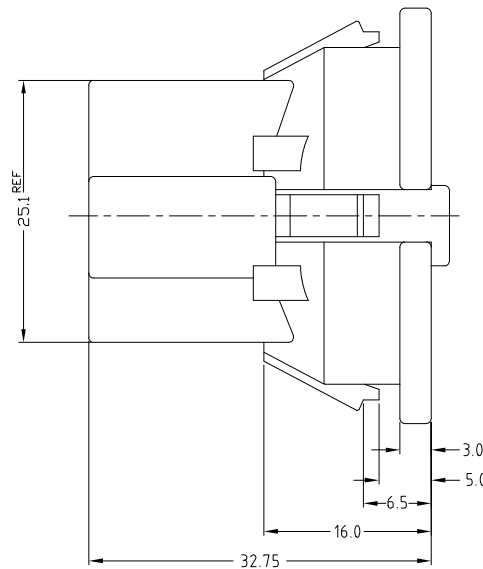
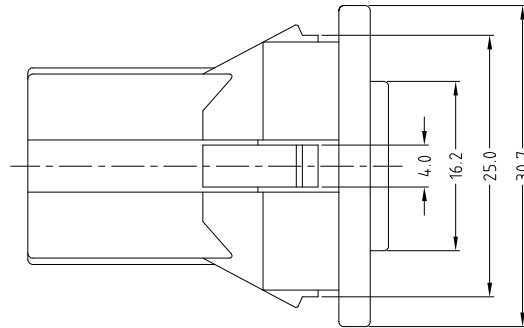
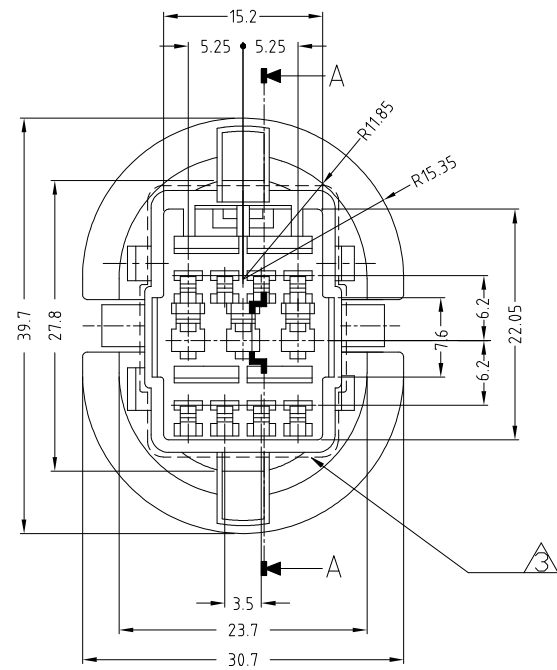
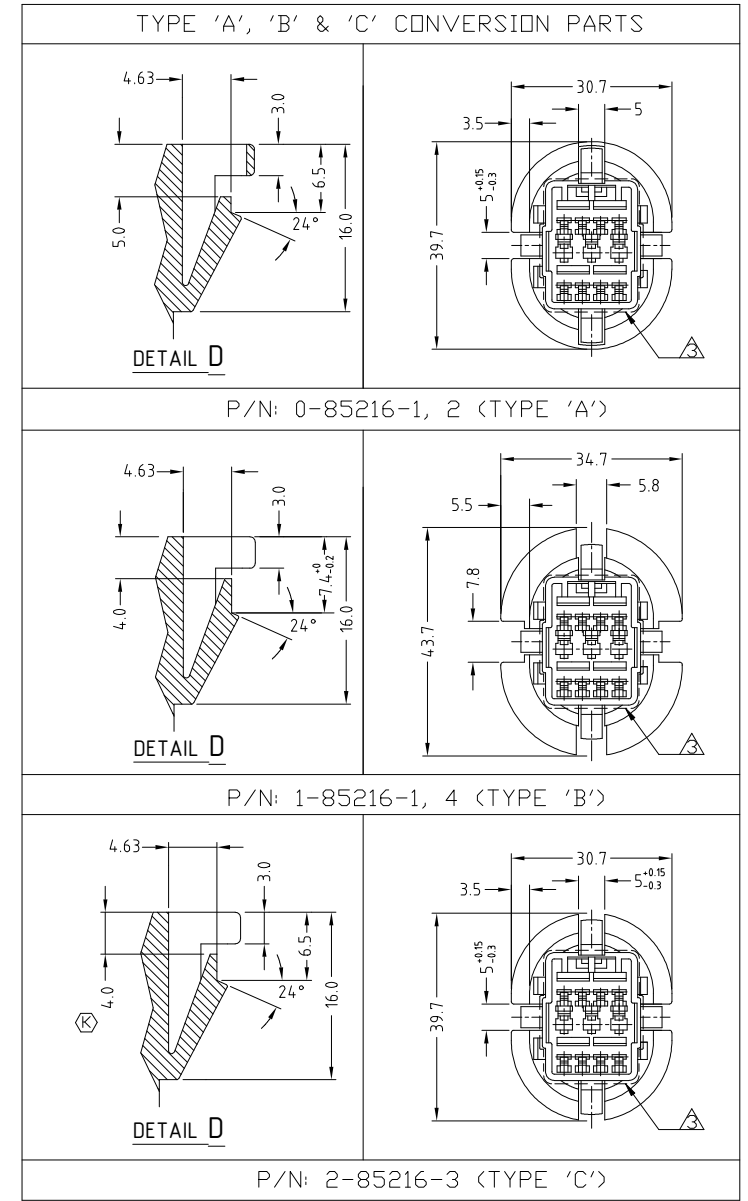


THIS DRAWING IS UNPUBLISHED. RELEASED FOR PUBLICATION
 © COPYRIGHT BY TYCO ELECTRONICS CORPORATION ALL RIGHTS RESERVED.

LOC	DIST	REVISIONS					
		P	LTR	DESCRIPTION	DATE	DWN	APVD
DS	-	J		REVISED (ECR-08-004956)	12/MAR/08	KT	HG
		J1		REVISED (ECR-16-005530)	15/APR/16	SJ	JW
		K		REVISED (ECR-18-009459)	19/JUN/18	EW	YJ



SECTION A-A



- NOTES;
1. APPLICABLE HOUSING P/N: 85218
 2. APPLICABLE CONTACT P/N: 85034 / 85035
173633 / 173645
 3. DIMENSIONS AREA OF MATING PLUG HOUSING OF THE SAME SIZE WITH CAP HOUSING OF ALL TYPES.
 4. APPLICABLE DBL P/N: 85217

COLOR	MATERIAL	DESCRIPTION	P/N
GRAY	PBT	070/110 11P CAP HSG(D.T.B) TYPE 'C'	2-85216-3
BLACK	PBT	070/110 11P CAP HSG(D.T.B) TYPE 'B'	1-85216-4
BLACK	PBT	070/110 11P CAP HSG(D.T.B) TYPE 'A'	0-85216-2
NATURAL	PBT	070/110 11P CAP HSG(D.T.B) TYPE 'B'	1-85216-1
NATURAL	PBT	070/110 11P CAP HSG(D.T.B) TYPE 'A'	0-85216-1

THIS DRAWING IS A CONTROLLED DOCUMENT FOR TYCO ELECTRONICS CORPORATION IT IS SUBJECT TO CHANGE AND THE CONTROLLING ENGINEERING ORGANIZATION SHOULD BE CONTACTED FOR THE LATEST REVISION.		DWN KT JUNG	TE Connectivity		
DIMENSIONS: mm		CHK JW JUNG			
TOLERANCES UNLESS OTHERWISE SPECIFIED:		APVD HG CHD	NAME		
0 <XX<10 ± 0.2		PRODUCT SPEC -	DOOR TO BODY 11P CAP HOUSING		
10 <XX<30 ± 0.25		APPLICATION SPEC -	SIZE	CAGE CODE	DRAWING NO
30 <XX ± 0.3		WEIGHT -	A2	00779	C=85216
ANGLES ± 3°		CUSTOMER DRAWING	SCALE	SHEET	OF
3rd ANGLE PROJECTION			2:1	1	1
MATERIAL					REV
FINISH					K
SEE TABLE					