



AMP | MQS

TE Internal #: 1-1534096-2

Automotive Connector Caps & Covers, Cover - Cable Exit, Cable Exit Angle 180° (In-Line), Brown, PBT GF, Wire-to-Device / Wire-to-Board, MQS

[View on TE.com >](#)

Connectors > Automotive Connectors > Connector Accessories > Connector Caps & Covers



Protection & Strain Relief Accessory Type: **Cover - Cable Exit**

Cable Exit Angle: **180° (In-Line)**

Strain Relief: **With**

Primary Product Color: **Brown**

Primary Product Material: **PBT GF**

Features

Product Type Features

Protection & Strain Relief Accessory Type	Cover - Cable Exit
Connector System	Wire-to-Board, Wire-to-Device

Body Features

Cable Exit Angle	180° (In-Line)
Primary Product Color	Brown
Primary Product Material	PBT GF

Mechanical Attachment

Strain Relief	With
---------------	------

Dimensions

Compatible Cable Bundle Diameter Range	7 mm[.275 in]
--	---------------

Usage Conditions

Operating Temperature (Max)	70 °C, 75 °C, 80 °C, 85 °C, 90 °C, 100 °C, 105 °C, 110 °C, 120 °C[158 °F][167 °F][176 °F][185 °F][194 °F][212 °F][221 °F][230 °F][248 °F]
Operating Temperature Range	-40 – 120 °C[-40 – 248 °F]

Industry Standards

UL Flammability Rating	UL 94HB
------------------------	---------

Packaging Features

Packaging Method	Carton
------------------	--------

Other

Serviceable	Yes
-------------	-----

Product Compliance

[For compliance documentation, visit the product page on TE.com>](#)

EU RoHS Directive 2011/65/EU	Compliant
EU ELV Directive 2000/53/EC	Compliant
China RoHS 2 Directive MIIT Order No 32, 2016	No Restricted Materials Above Threshold
EU REACH Regulation (EC) No. 1907/2006	Current ECHA Candidate List: JAN 2022 (223) Candidate List Declared Against: JAN 2022 (223) Does not contain REACH SVHC
Halogen Content	Low Halogen - Br, Cl, F, I < 900 ppm per homogenous material. Also BFR/CFR/PVC Free
Solder Process Capability	Not applicable for solder process capability

Product Compliance Disclaimer

This information is provided based on reasonable inquiry of our suppliers and represents our current actual knowledge based on the information they provided. This information is subject to change. The part numbers that TE has identified as EU RoHS compliant have a maximum concentration of 0.1% by weight in homogenous materials for lead, hexavalent chromium, mercury, PBB, PBDE, DBP, BBP, DEHP, DIBP, and 0.01% for cadmium, or qualify for an exemption to these limits as defined in the Annexes of Directive 2011/65/EU (RoHS2). Finished electrical and electronic equipment products will be CE marked as required by Directive 2011/65/EU. Components may not be CE marked. Additionally, the part numbers that TE has identified as EU ELV compliant have a maximum concentration of 0.1% by weight in homogenous materials for lead, hexavalent chromium, and mercury, and 0.01% for cadmium, or qualify for an exemption to these limits as defined in the Annexes of Directive 2000/53/EC (ELV). Regarding the REACH Regulation, the information TE provides on SVHC in articles for this part number is based on the latest European Chemicals Agency (ECHA) 'Guidance on requirements for substances in articles' posted at this URL: <https://echa.europa.eu/guidance-documents/guidance-on-reach>

Compatible Parts



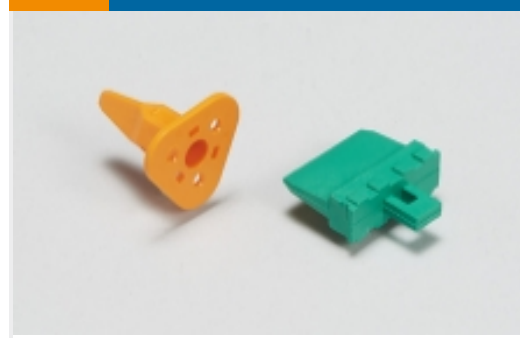
Also in the Series | MQS



Automotive Connector Caps & Covers (131)



Automotive Connector EMC Shielding (2)



Automotive Connector Locks & Position Assurance (29)



Automotive Housings (489)



Automotive Seals & Cavity Plugs (26)



Automotive Terminals (96)



Insertion & Extraction Tools (42)



Other Automotive Connector Accessories (13)

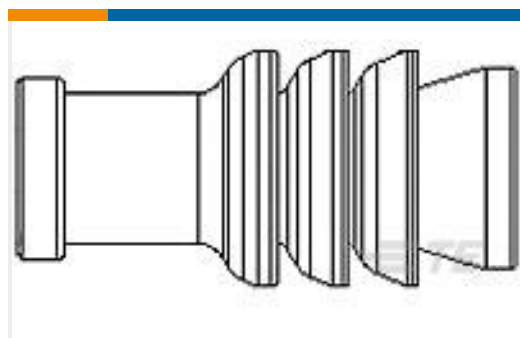


PCB Headers & Receptacles (207)

Customers Also Bought



TE Part #1-1564526-1
18POS,TAB 1.6X0.6,TAB HSG,ASSY



TE Part #967067-2
MQS EINZELLEITDICHT



TE Part #1-1419168-2
MARKET 1X6 FEMALE SEALED



TE Part #1534101-1
MQS, CONNECTOR HOUSING



TE Part #1241868-1
JPT A REC 2.8 Contact SWS Sn



TE Part #7-1452665-1
MCON 1.2 LL REC SWS SN



TE Part #2098762-4
Contact,female0.64, 22 AWG, CuNiSi, Sn



TE Part #1544228-1
CLIP 8 MM NG1-1 PO



Documents

Product Drawings

[MQS ABDECKKAPPE2X6P](#)

English

CAD Files

Customer View Model

[ENG_CVM_CVM_1-1534096-2_A.2d_dxf.zip](#)

English

[3D PDF](#)

3D

Customer View Model

[ENG_CVM_CVM_1-1534096-2_A.3d_igs.zip](#)

English

Customer View Model

[ENG_CVM_CVM_1-1534096-2_A.3d_stp.zip](#)

English

By downloading the CAD file I accept and agree to the [Terms and Conditions](#) of use.

Product Specifications

[Application Specification](#)

English

Product Environmental Compliance

[Product Compliance](#)

English

[Product Compliance](#)

English